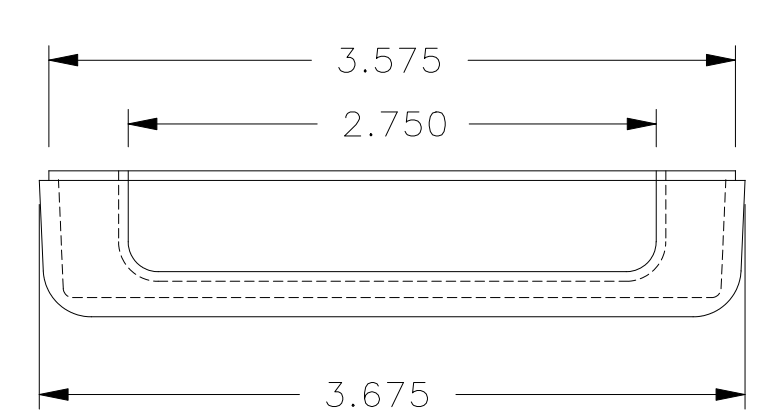
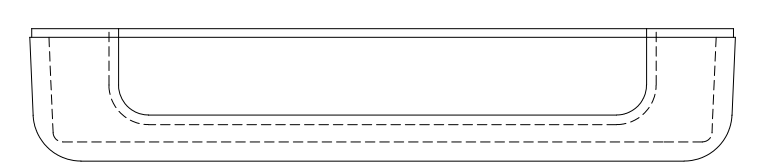
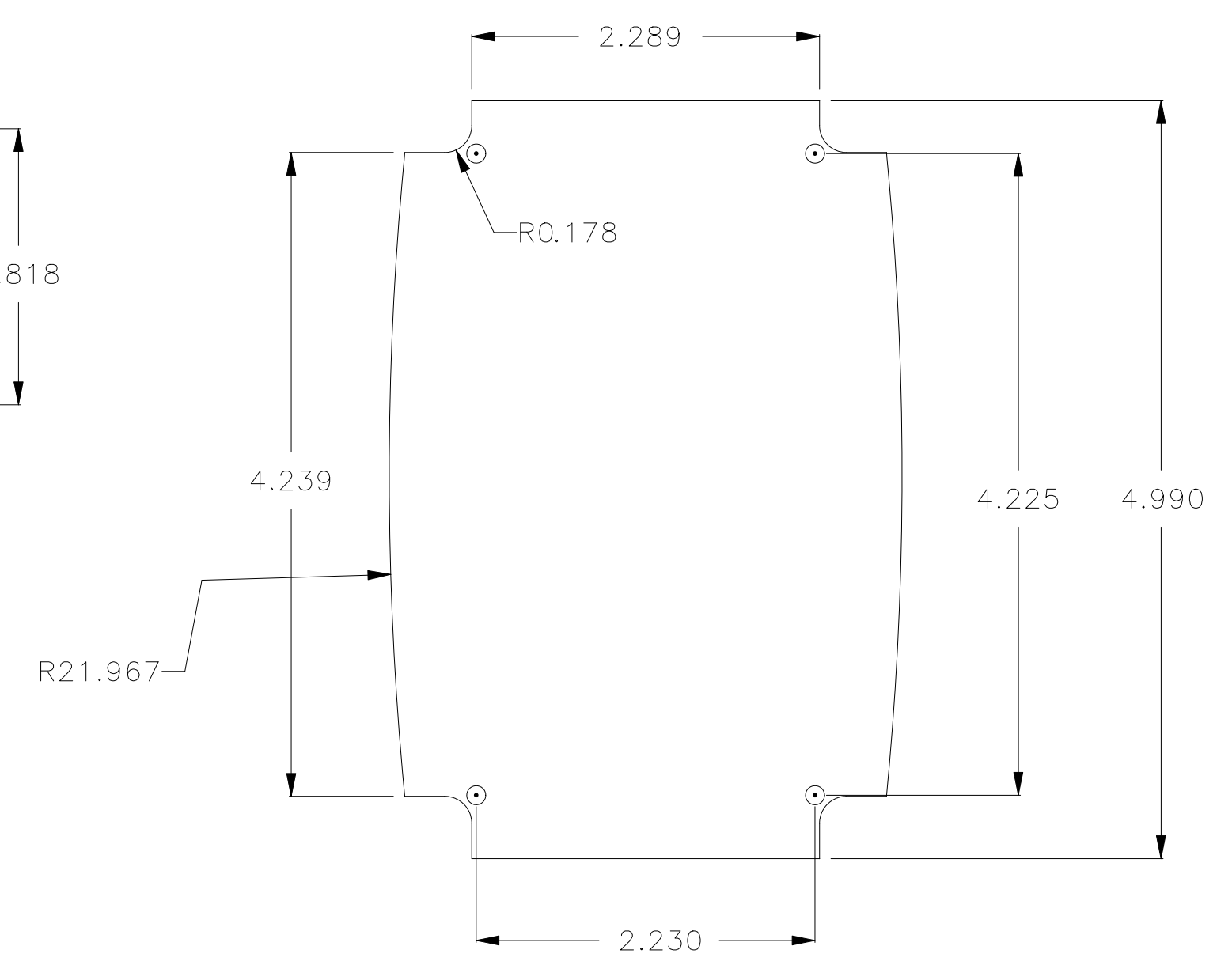
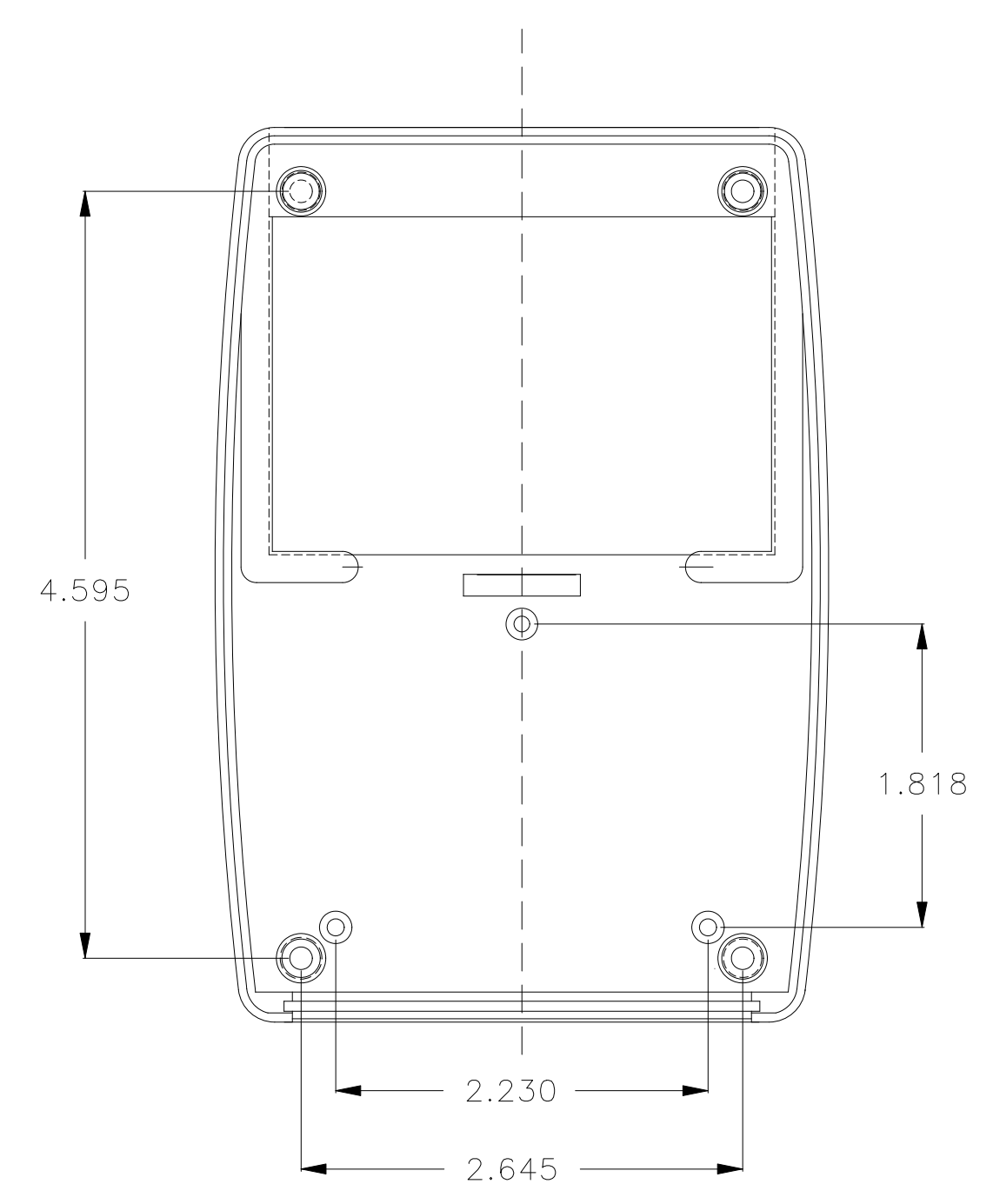
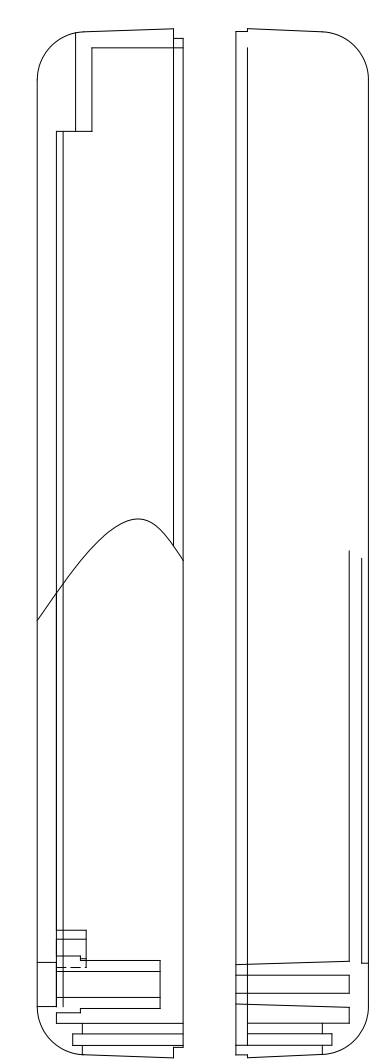
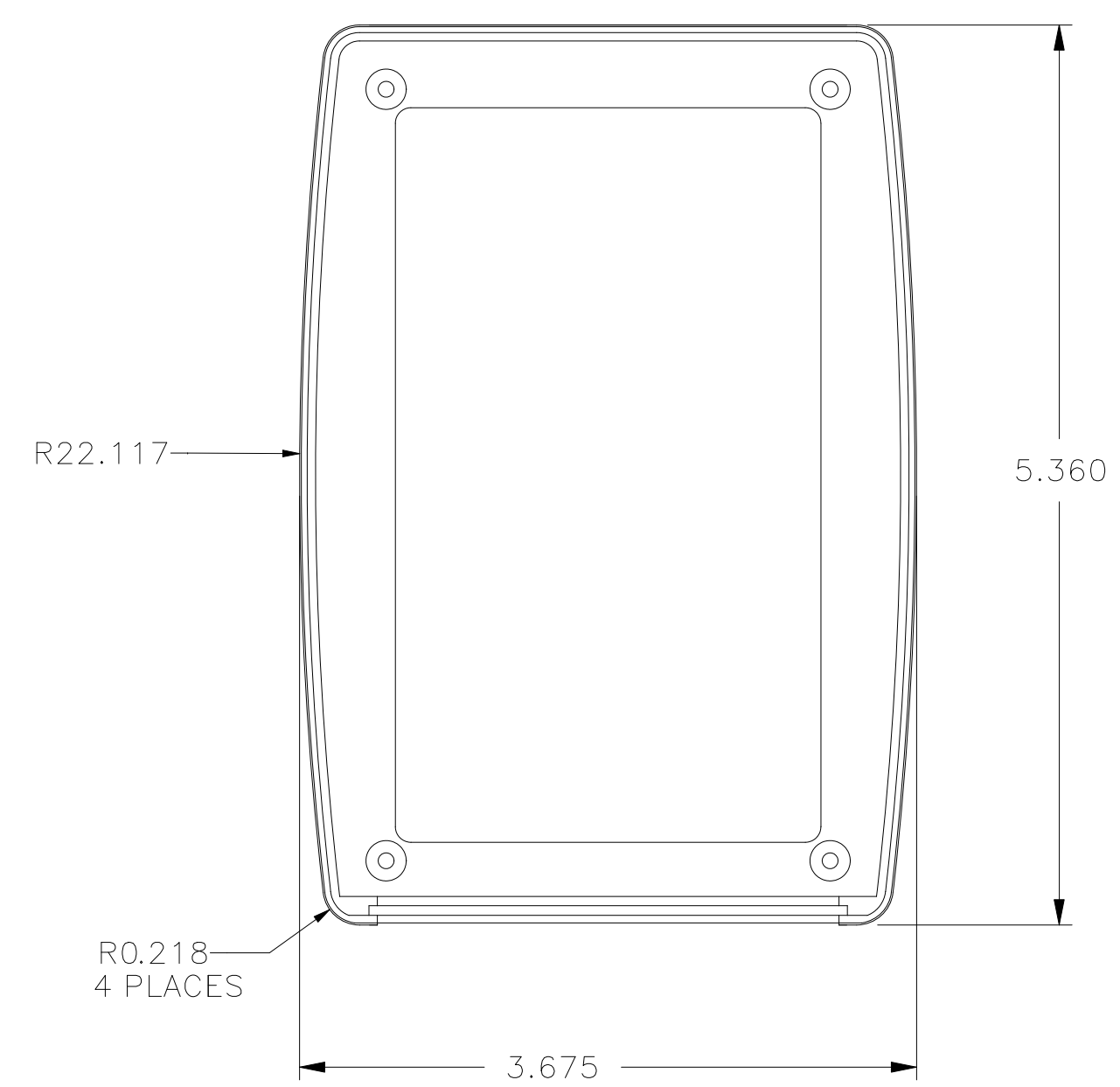
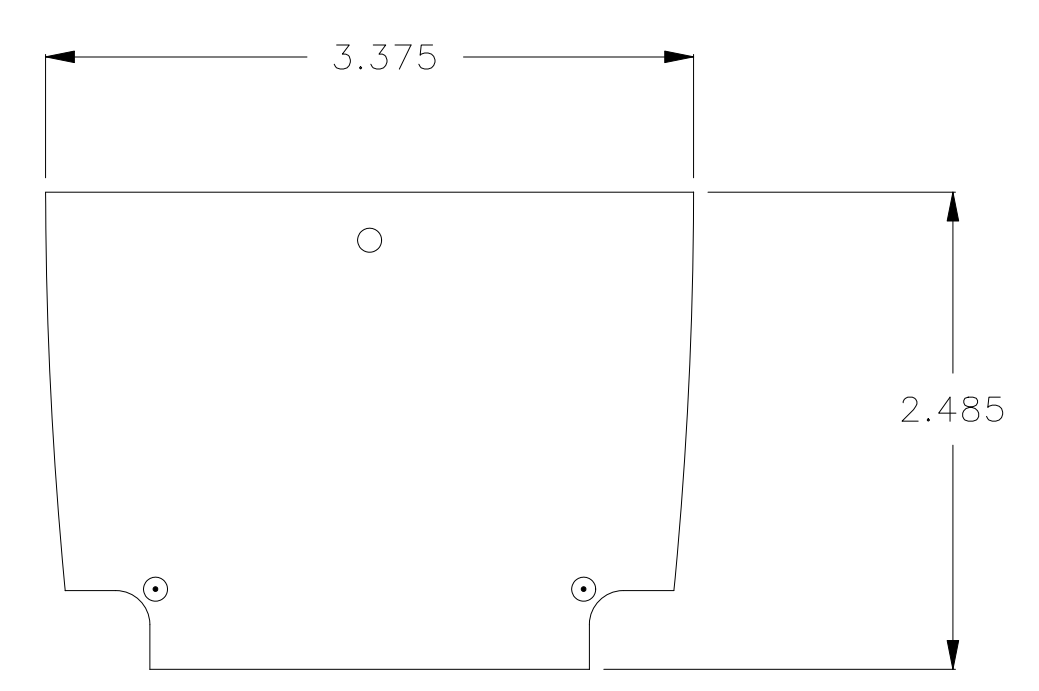
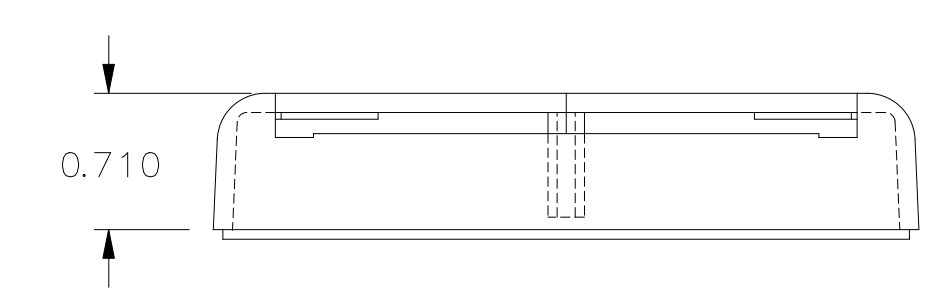
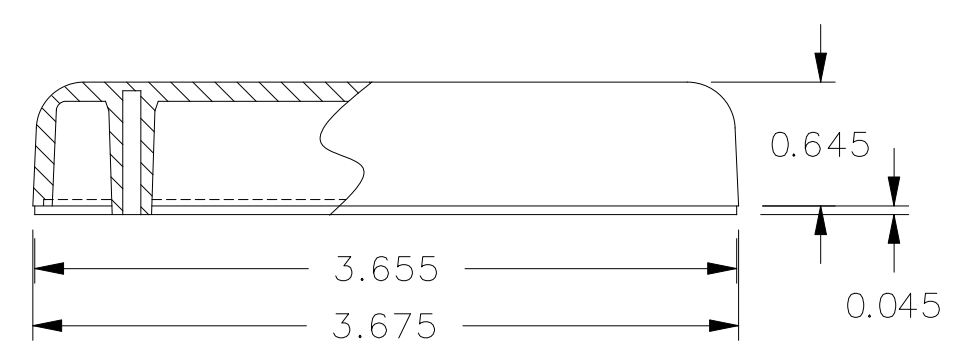
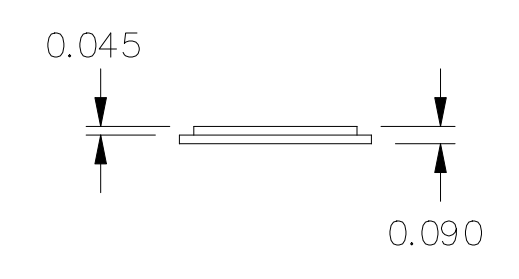
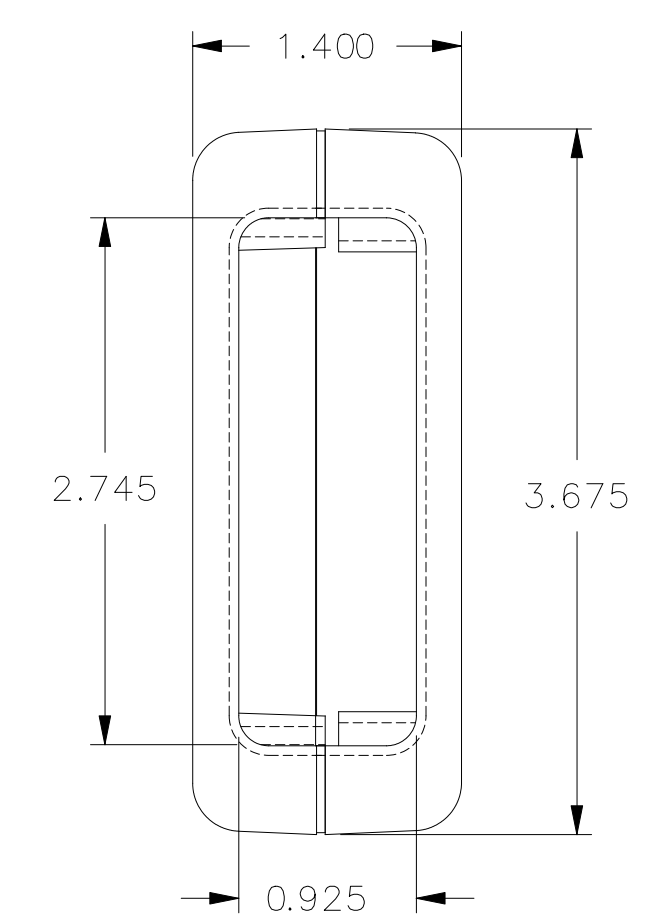
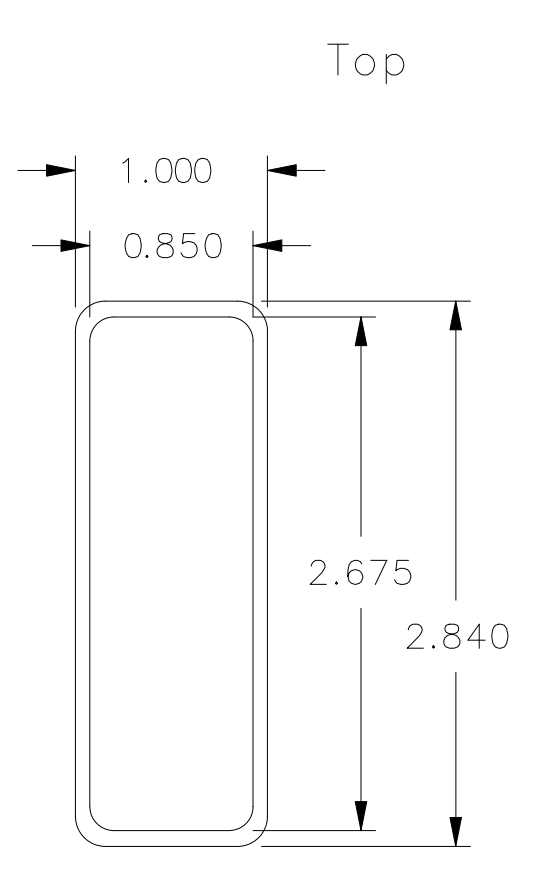


STANDARD INJECTION MOLDING COMPANY, INC.®

REVISIONS		
REV.	DESCRIPTION	DATE



Circuit Board Layouts



Panel View

Bottom

UNLESS OTHERWISE SPECIFIED  
DIMENSIONS ARE IN INCHES.  
TOLERANCES ARE ± .015  
UNLESS OTHERWISE STATED  
ANGLES ± .5°  
MATERIAL  
ABS  
FINISH  
Texture  
CAD GENERATED DRAWING  
DO NOT UPDATE MANUALLY

INCLUDED HARDWARE	
Qty.	FEET

**SIMCO**  
**45TBA/P**

SIZE: DRAWING NO. REV.  
D  
SCALE: CAD FILE: SHEET OF

8

7

6

5

4

3

2

1

F  
E  
D  
C  
B  
A

F  
E  
D  
C  
B  
A