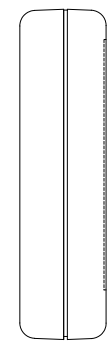
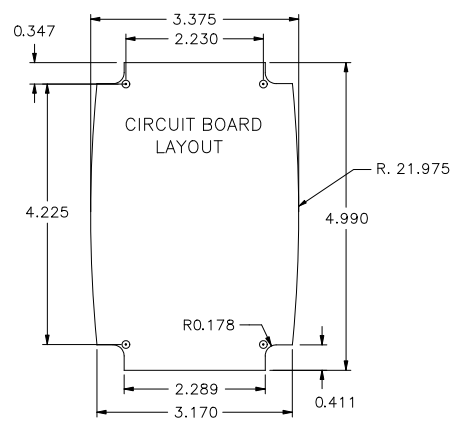
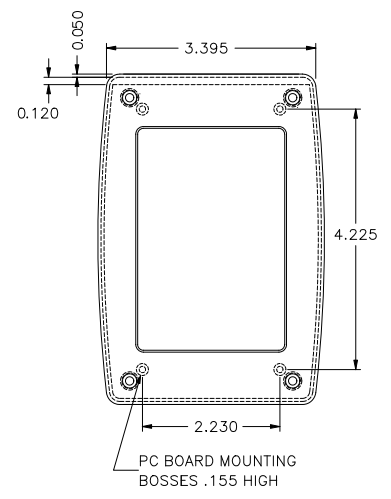
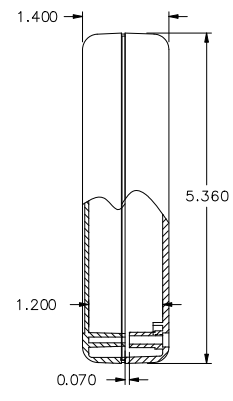
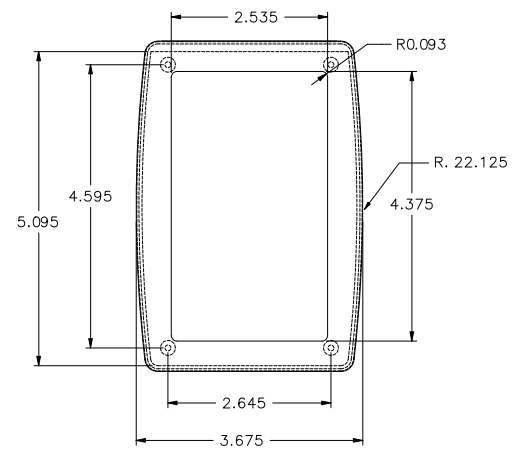
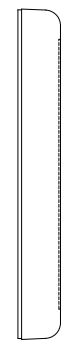
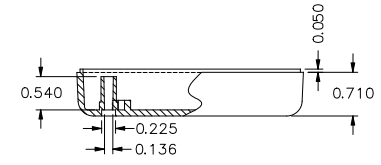
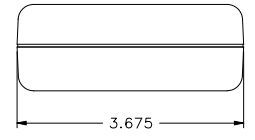
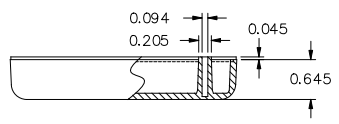


STANDARD INJECTION MOLDING COMPANY, INC.®

| REV. | DESCRIPTION | DATE |
|------|--------------------|----------|
| 1 | PRODUCTION RELEASE | 10/25/10 |
| | | |
| | | |



UNLESS OTHERWISE SPECIFIED
DIMENSIONS ARE IN INCHES.
TOLERANCES ARE ±.015
UNLESS OTHERWISE STATED
ANGLES ±.5°
MATERIAL
ABS
FINISH
Texture
CAD GENERATED DRAWINGS
DO NOT UPDATE MANUALLY

| INCLUDED HARDWARE | |
|-------------------|------|
| Qty. | FEET |
| SCREWS | |
| | |
| | |
| | |
| | |

SIMCO
45TB

SIZE DRAWING NO. 45TB.dwg
SCALE: CAD FILE
REV. 1
SHEET OF 1