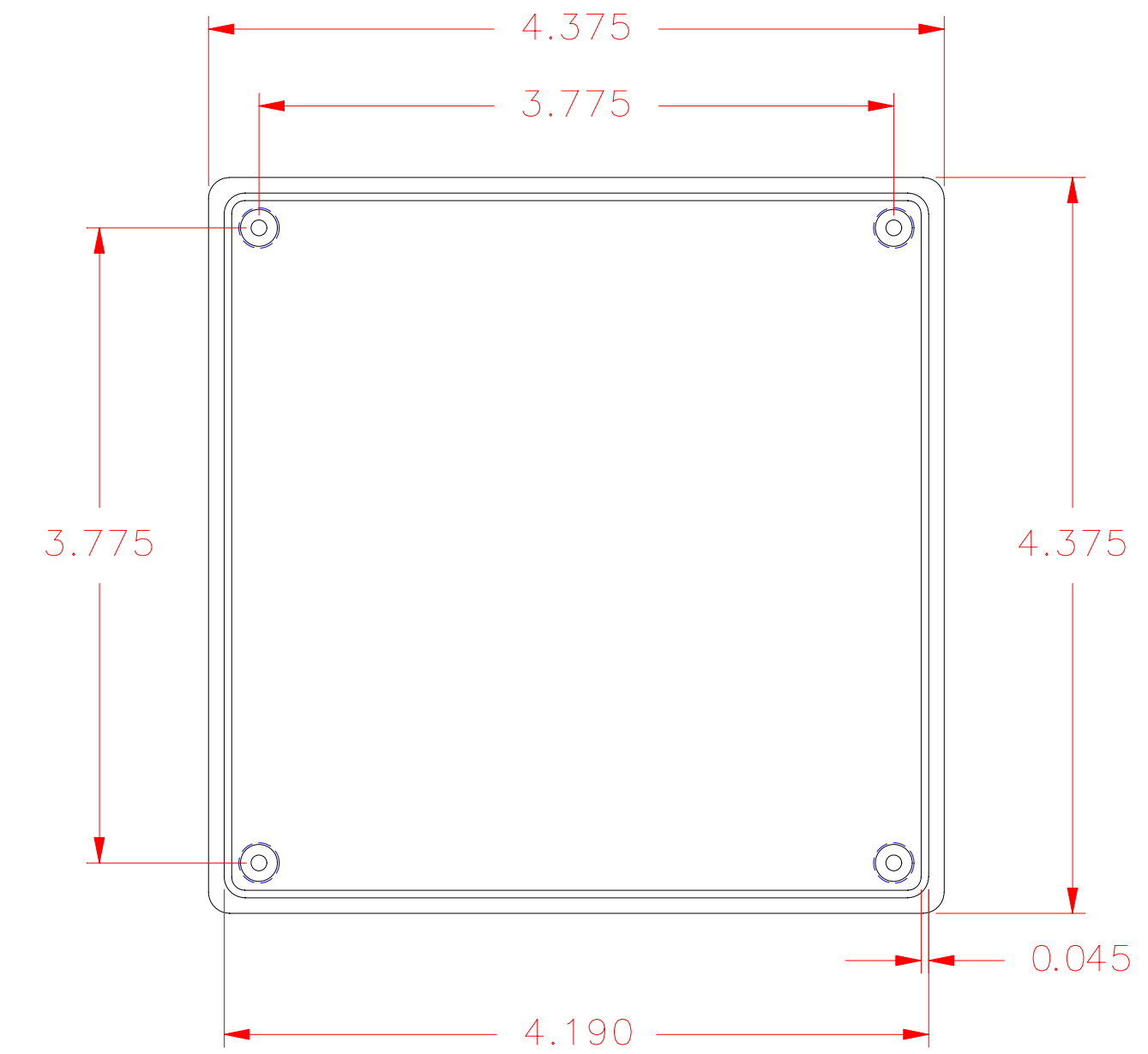
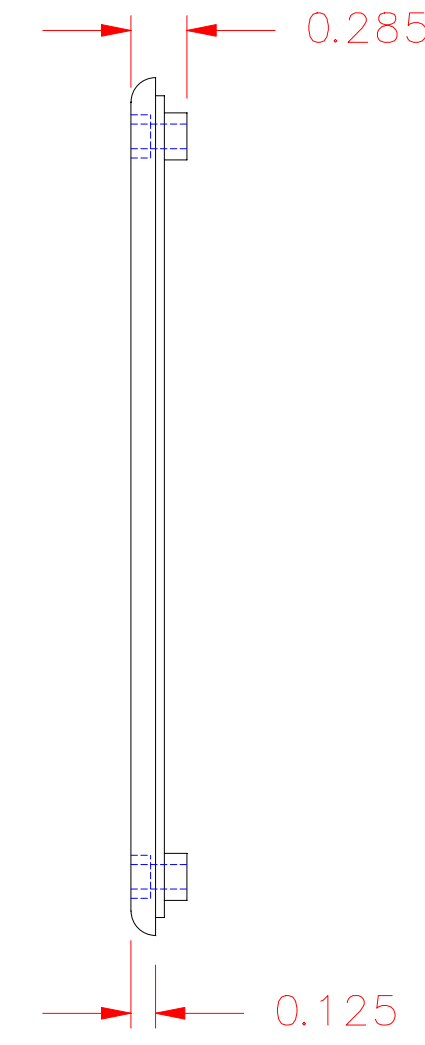
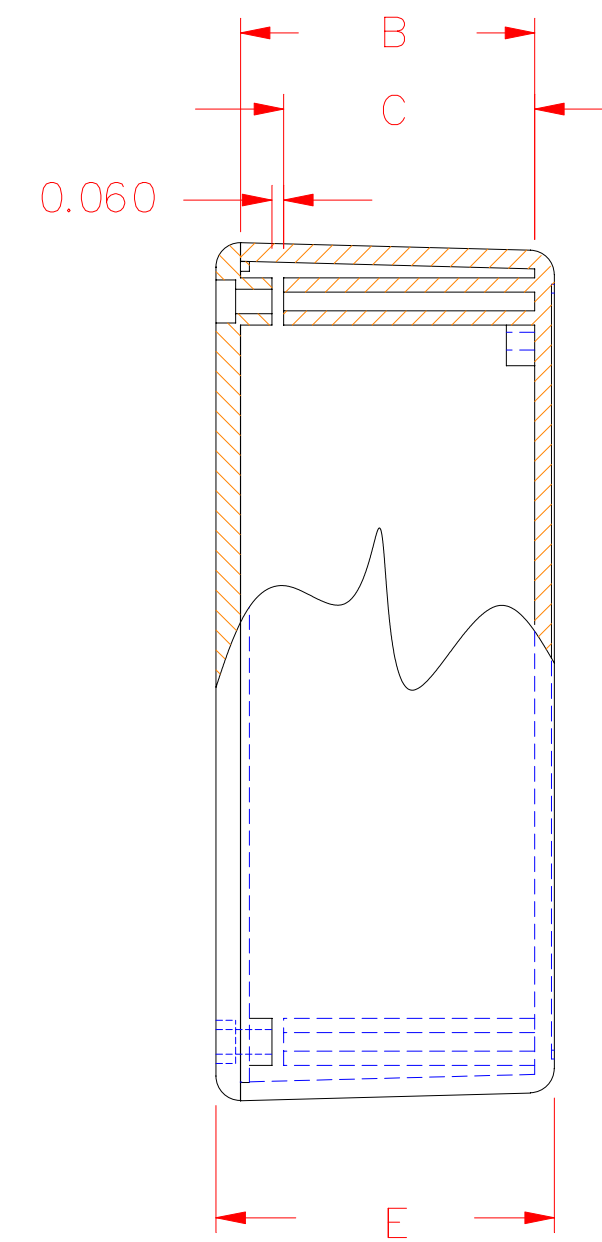
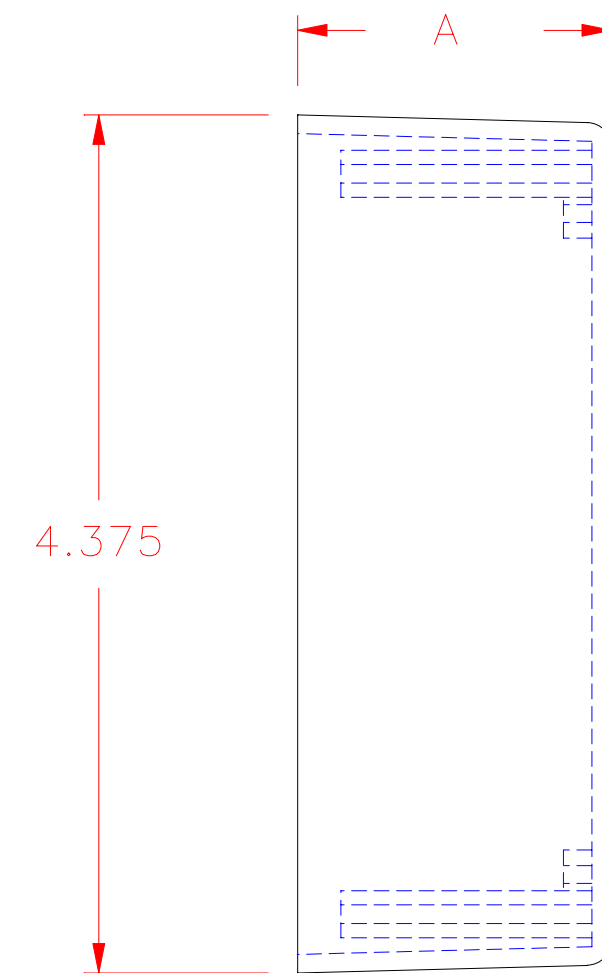
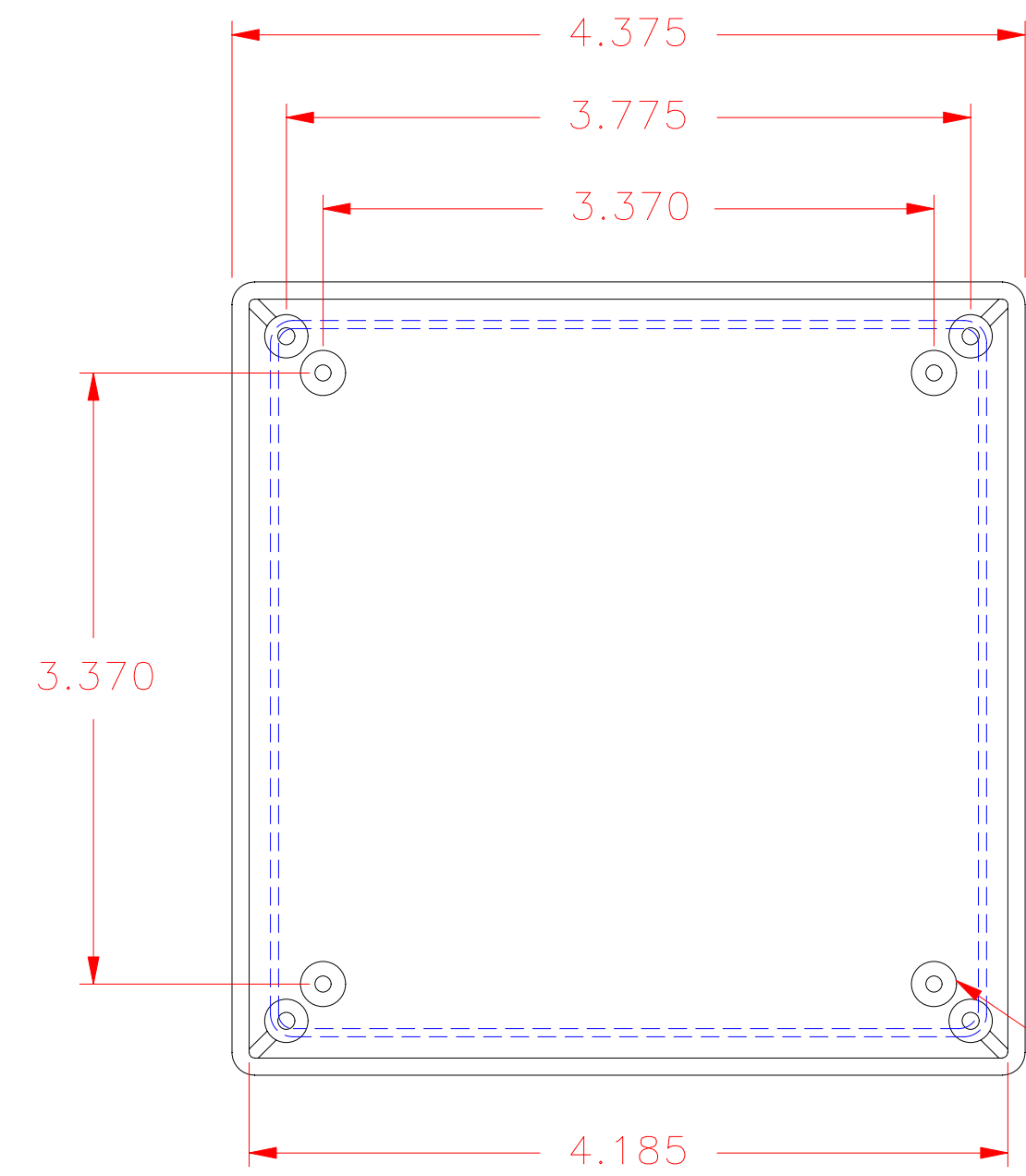
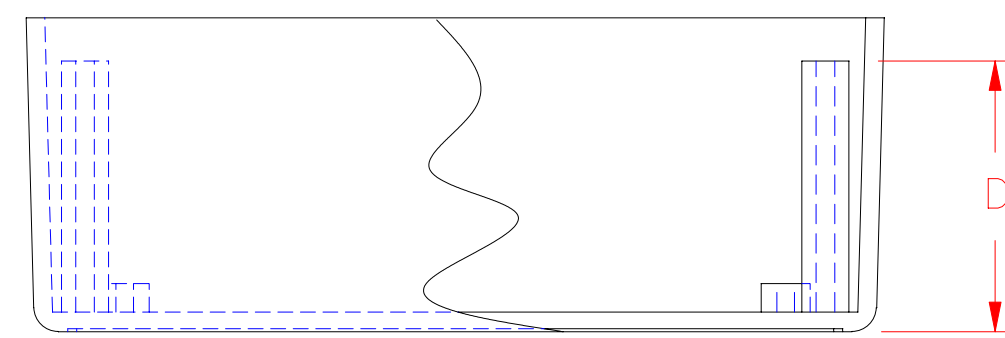


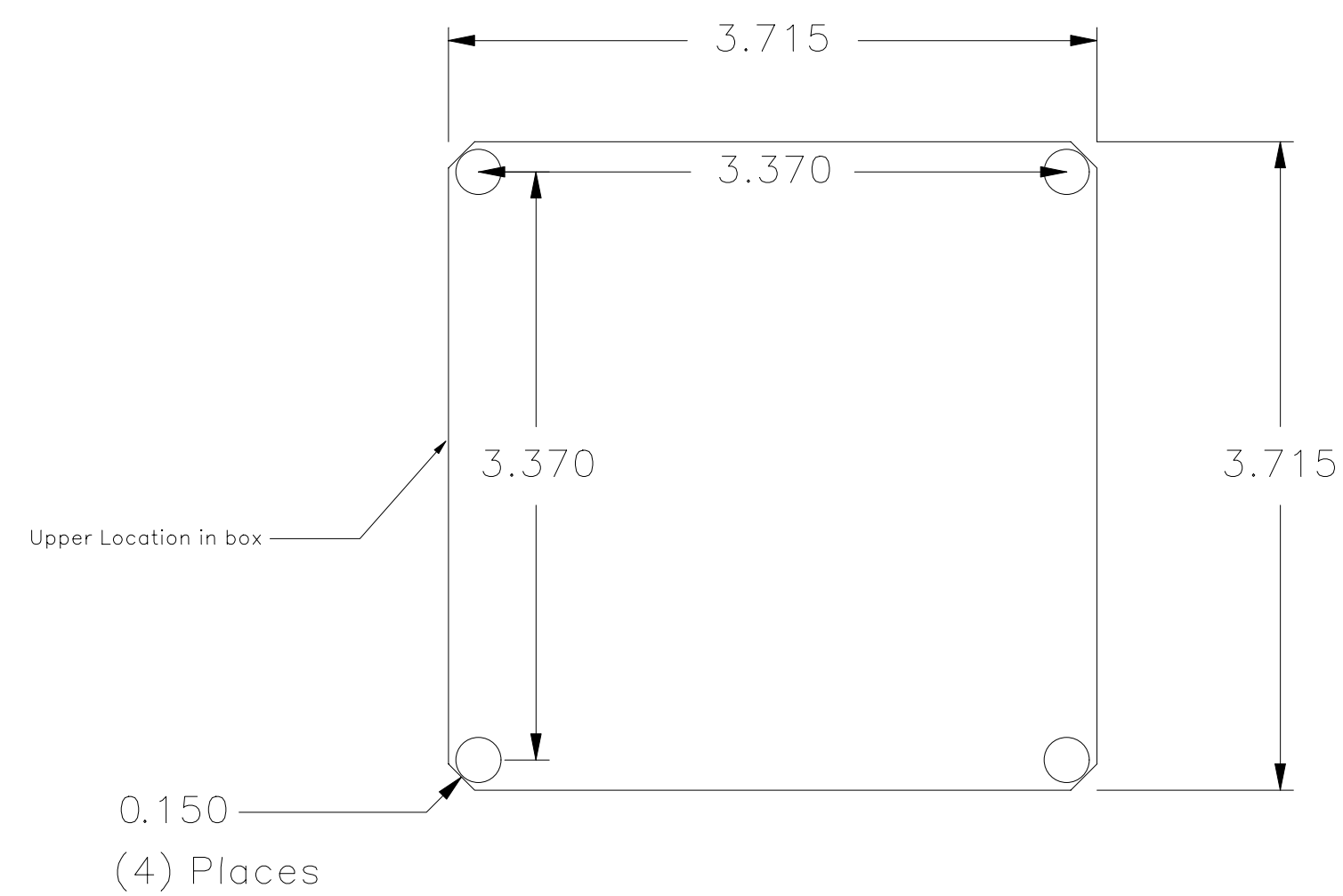
REVISIONS			
REV.	DESCRIPTION	DATE	APPROVED
A	PRODUCTION RELEASE	10/16/02	



Upper Mounting Bosses  
.250 DIA. WITH .090 HOLE  
.145 HIGH (4) PLACES

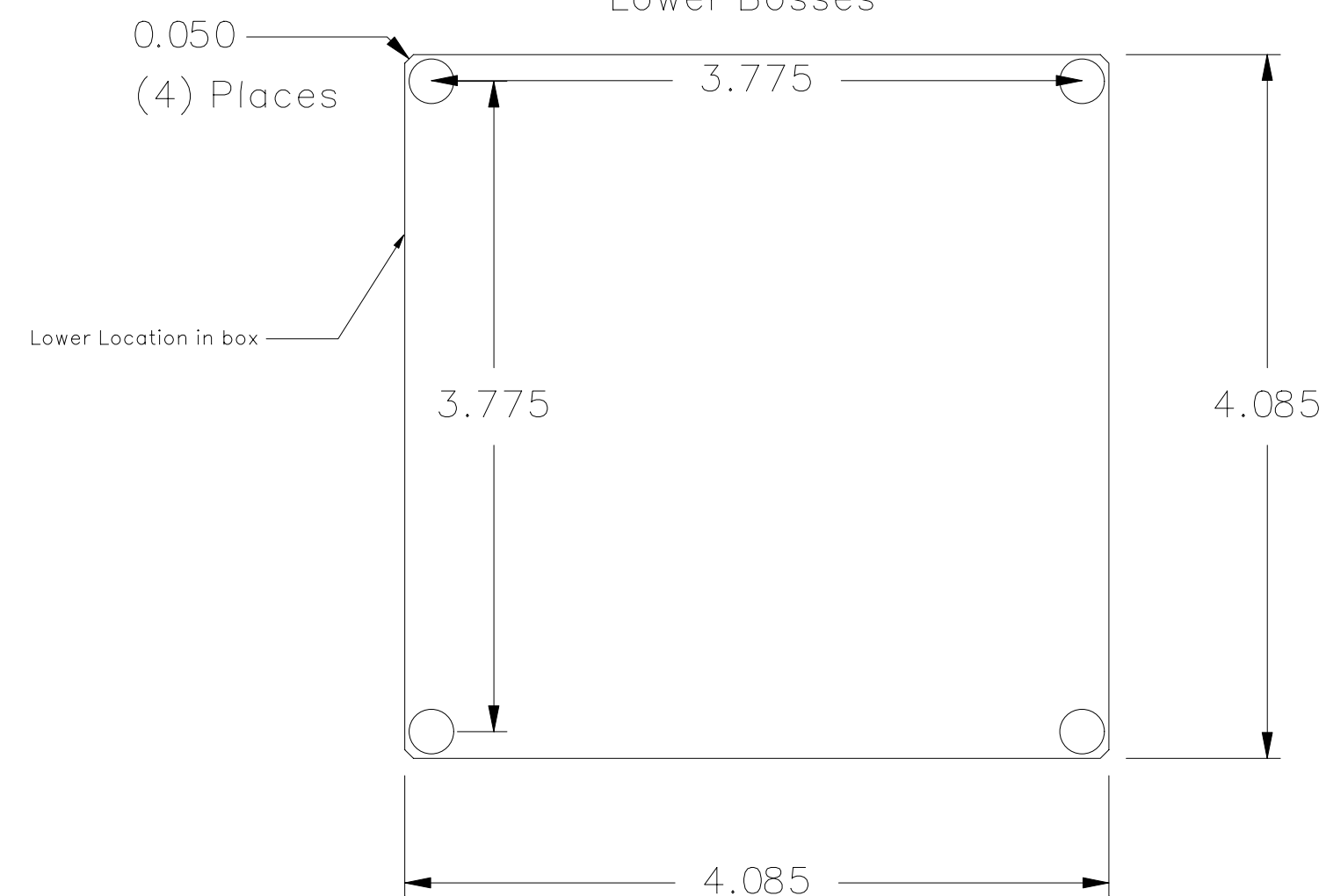


Circuit Board Layout  
Upper Bosses



Note:  
This circuit board layout is for mounting in the top of the enclosure.

Circuit Board Layout  
Lower Bosses



Note:  
This circuit board layout is for mounting between the lid and cup.

Model Number	A	B	C	D	E
075X44	.600	.500	.280	.380	.720
120X44	1.100	1.000	.780	.880	1.220
170X44	1.600	1.500	1.280	1.380	1.720

Notes:  
All sides have 1.5° Draft  
All corners have .125 Radius  
Recommended hole sizes for circuit boards are .125 - .140 Dia.

UNLESS OTHERWISE SPECIFIED DIMENSIONS ARE IN INCHES.	Utility Series			
	INCLUDED HARDWARE			
TOLERANCES ARE ±.015 UNLESS OTHERWISE STATED	Qty.	SCREWS	Qty.	FEET
ANGLES ±.5°	4	#4 X 9/16	N/A	N/A
MATERIAL	ABS			
FINISH	Texture			
CAD GENERATED DRAWING DO NOT UPDATE MANUALLY	SIZE DRAWING NO. D ME44UTILS			REV.
	SCALE:	CAD FILE:	44 Utility Box.dcd	SHEET 1 OF 1