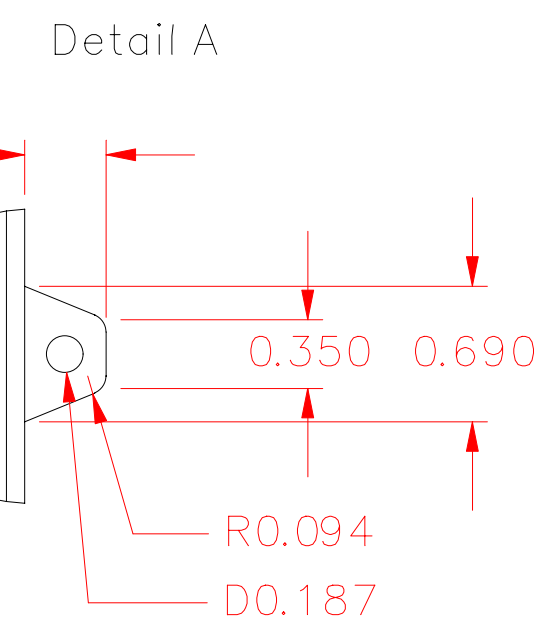
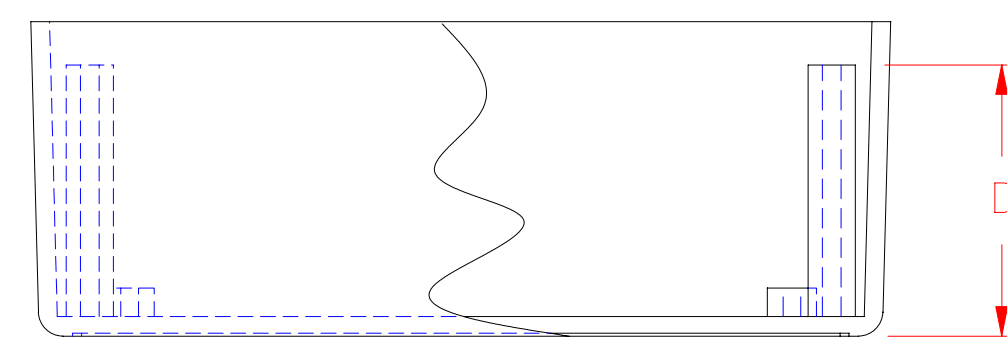
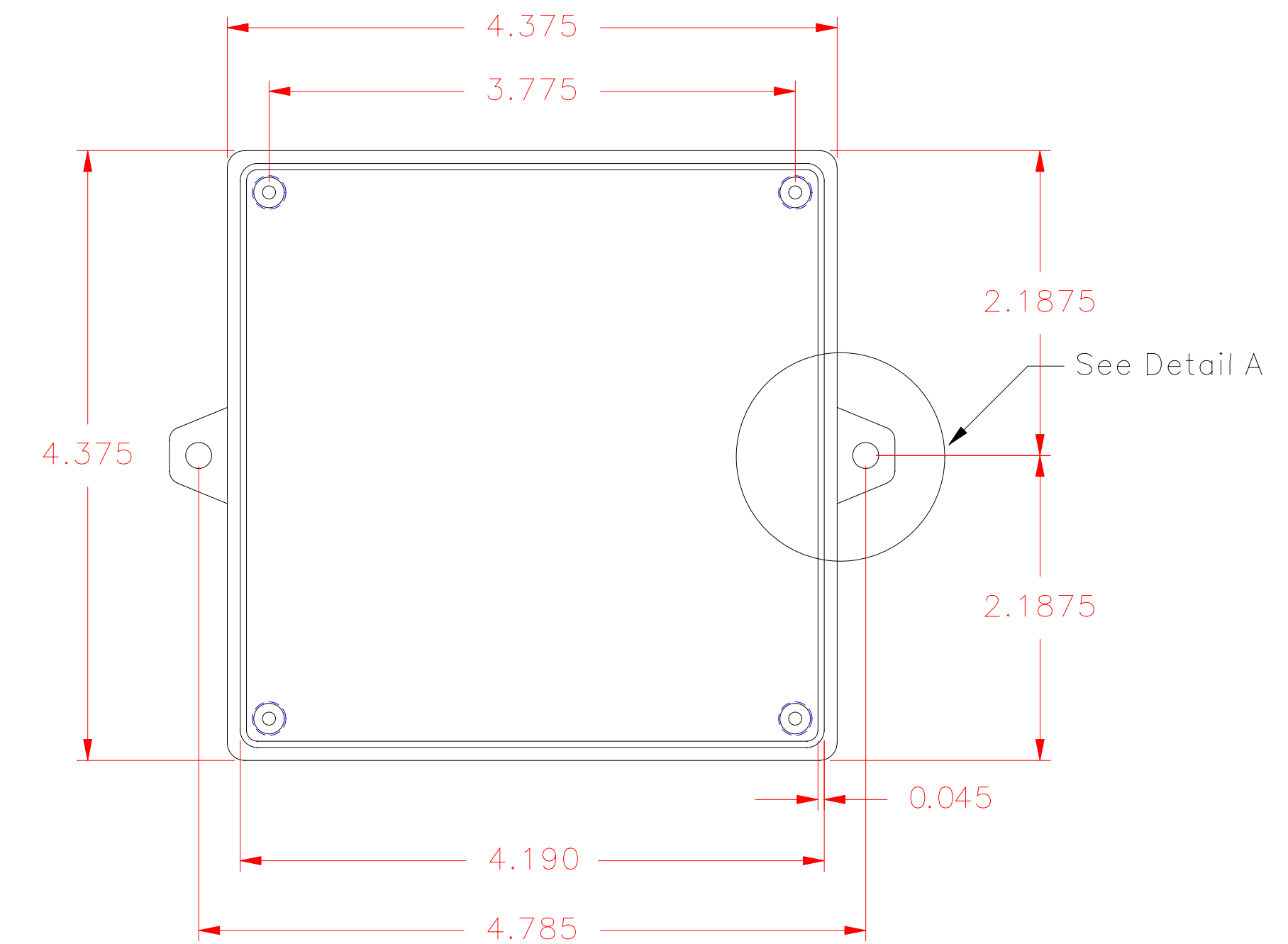
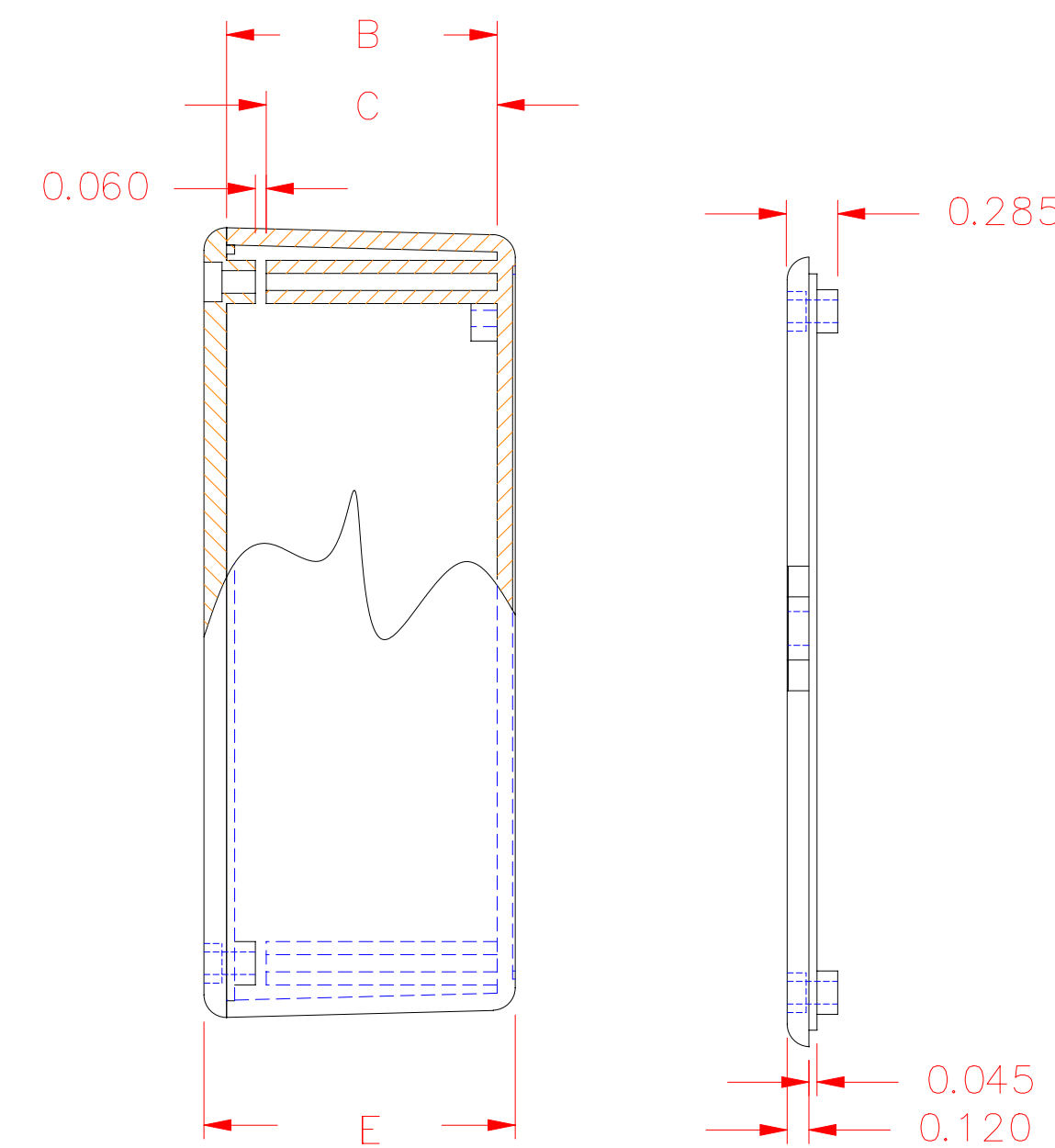
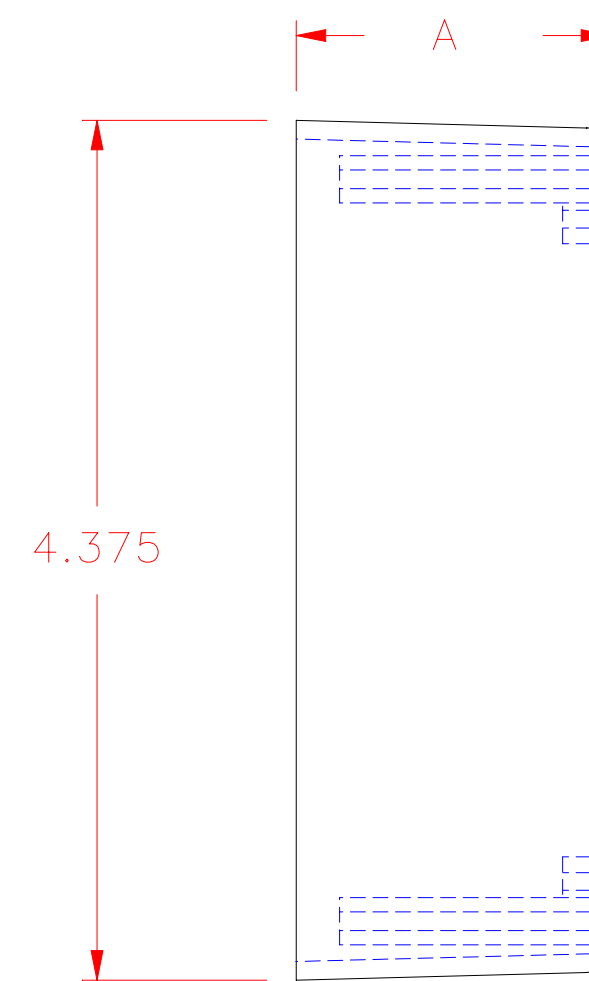
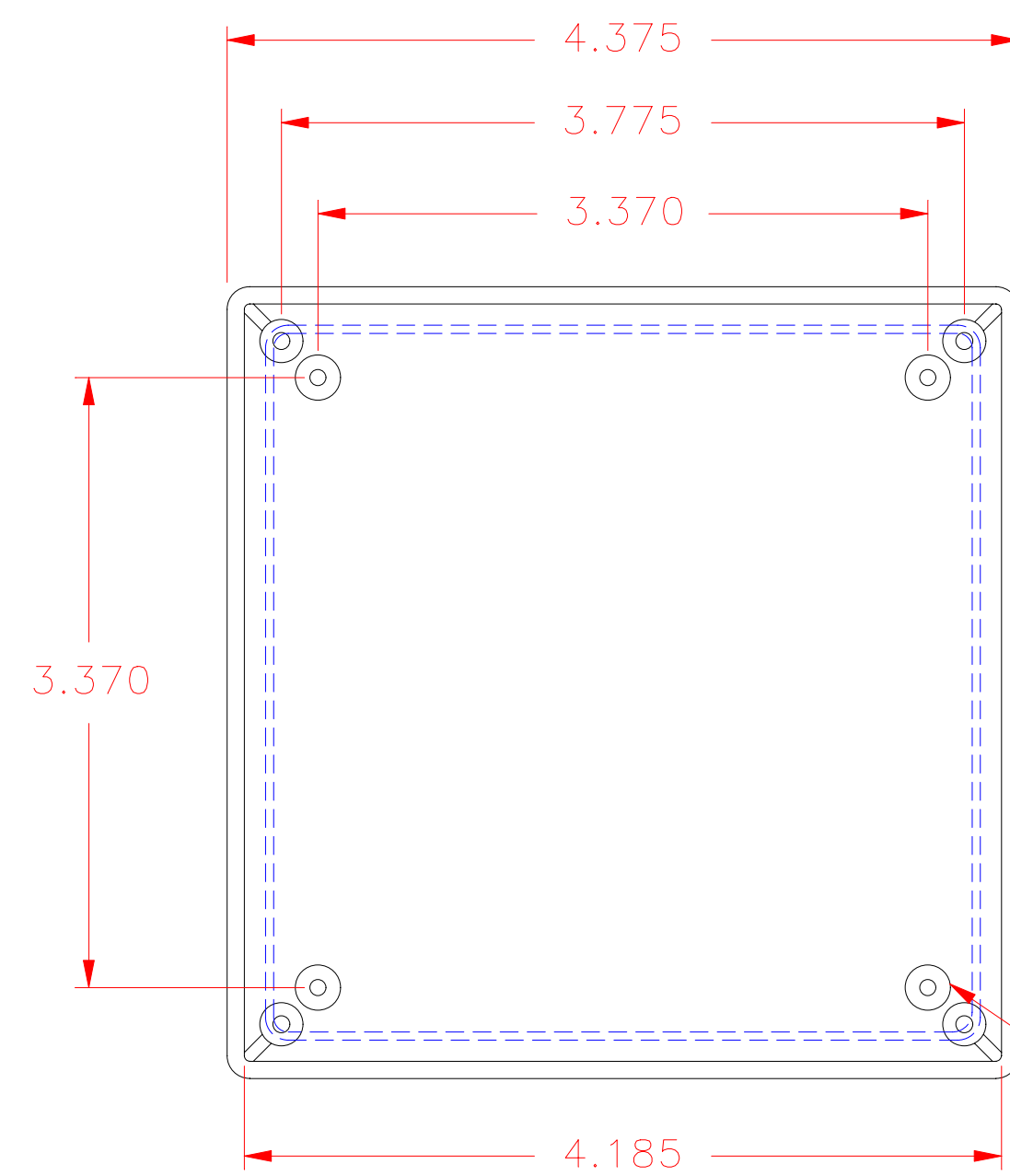
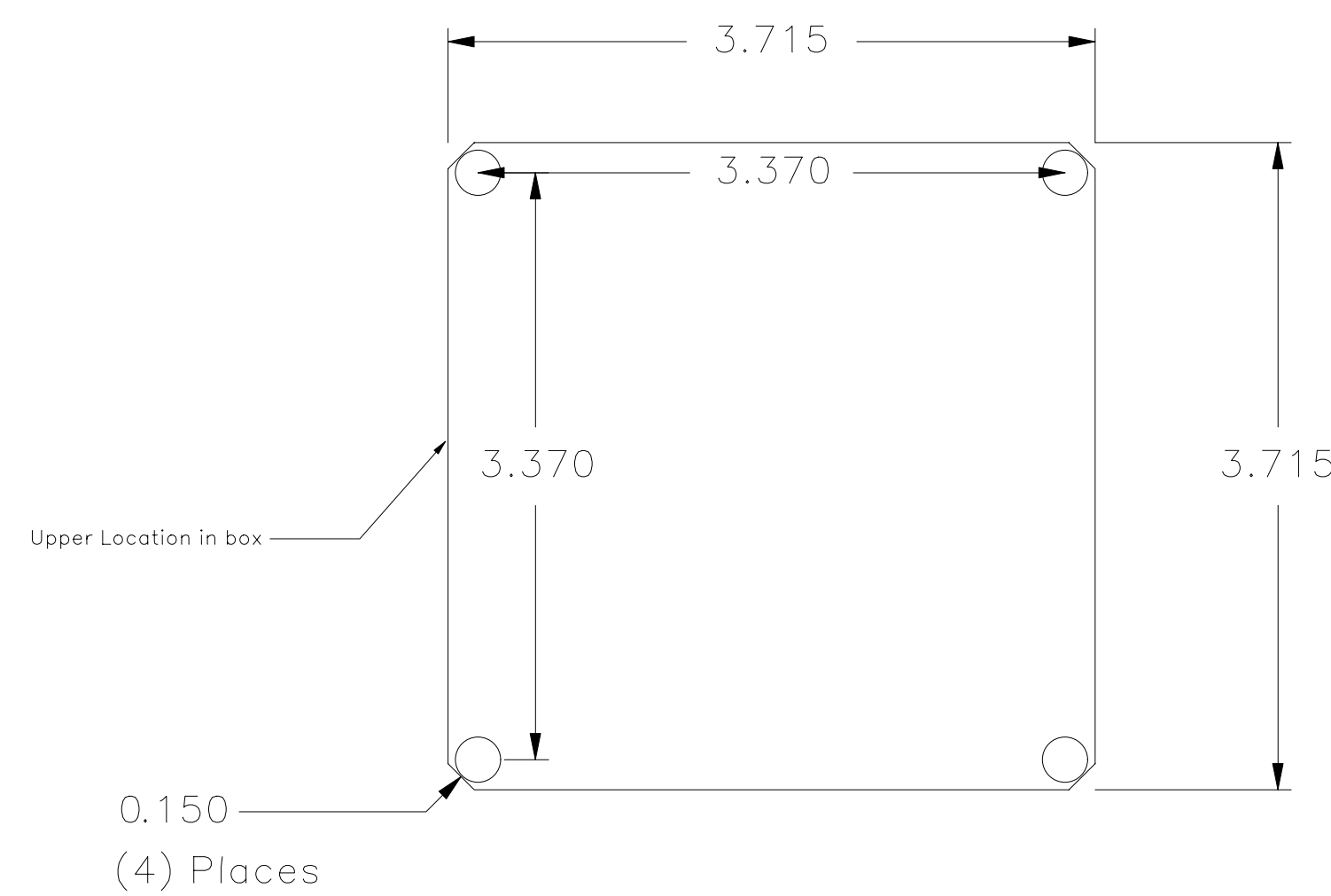


REVISIONS			
REV.	DESCRIPTION	DATE	APPROVED
A	PRODUCTION RELEASE	10/16/02	

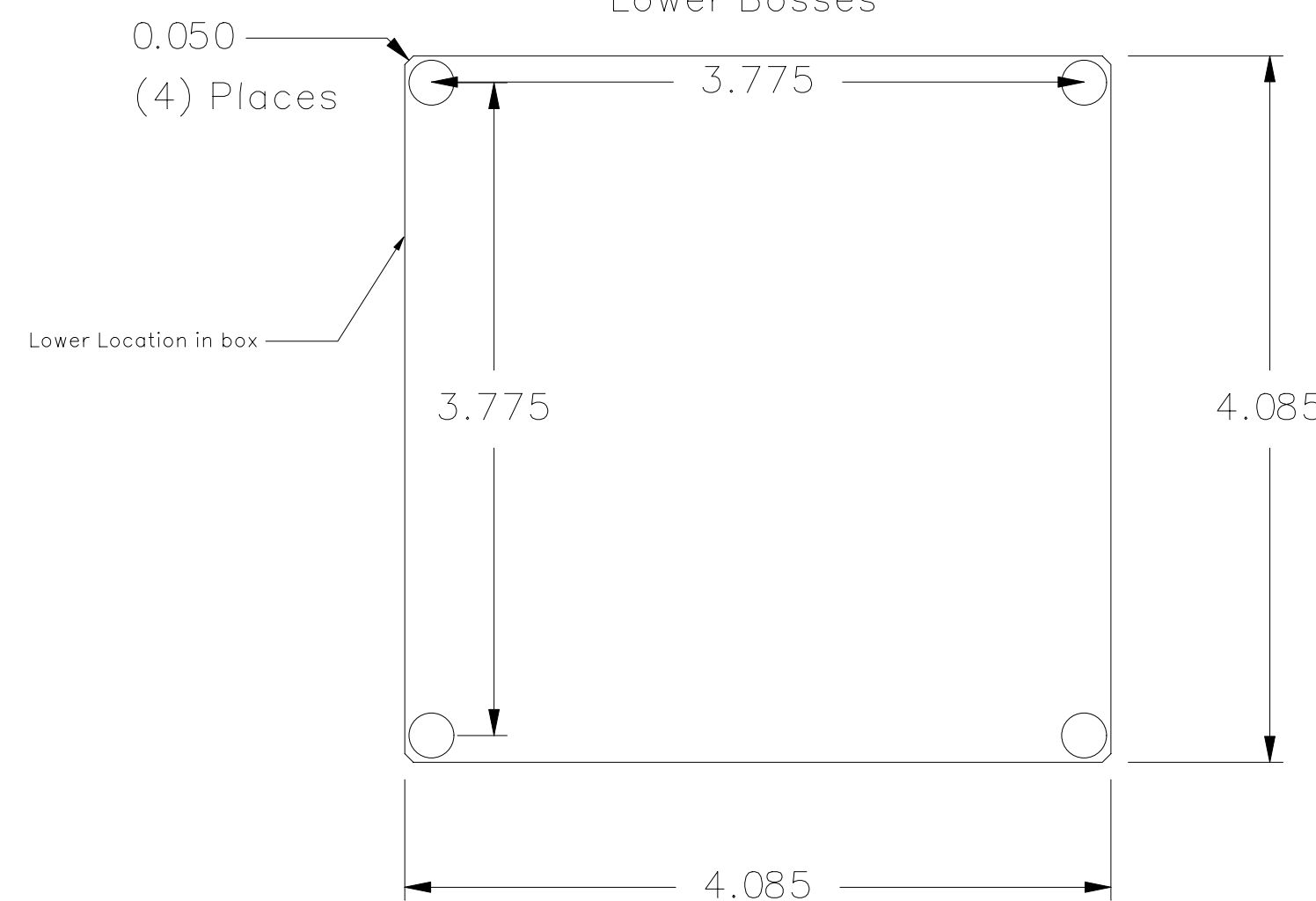


Circuit Board Layout
Upper Bosses



Note:
This circuit board layout is for mounting in the top of the enclosure.

Circuit Board Layout
Lower Bosses



Note:
This circuit board layout is for mounting between the lid and cup.

Model Number	A	B	C	D	E
075X44	.600	.500	.280	.380	.720
120X44	1.100	1.000	.780	.880	1.220
170X44	1.600	1.500	1.280	1.380	1.720

Notes:
All sides have 1.5° Draft
All corners have .125 Radius
Recommended hole sizes for circuit boards are .125 - .140 Dia.

UNLESS OTHERWISE SPECIFIED DIMENSIONS ARE IN INCHES.	Utility Series INCLUDED HARDWARE				SIMCO
	Qty.	SCREWS	Qty.	FEET	
TOLERANCES ARE ±.015 UNLESS OTHERWISE STATED	4	#4 X 9/16	N/A	N/A	44/M Utility
ANGLES ±.5°					
MATERIAL ABS					
FINISH Texture					SIZE DRAWING NO. D ME44UTILS
CAD GENERATED DRAWING DO NOT UPDATE MANUALLY					REV. SCALE: CAD FILE: 44 Utility Box.dcd SHEET 1 OF 1