

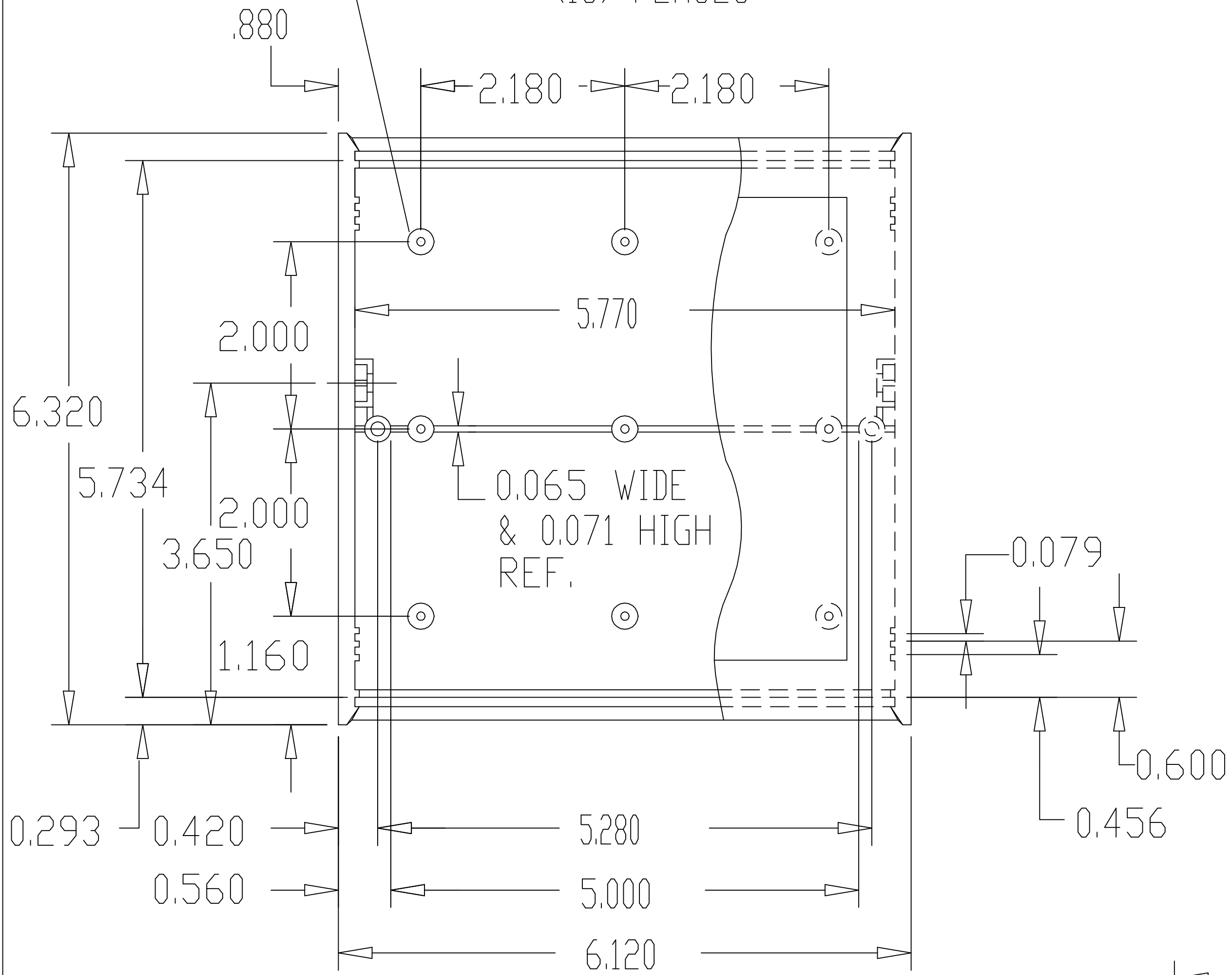
PART
NAME

XPANDER

PART
No.

400 XP 6

0.281 DIA. BOSS
WITH 0.091 DIA. HOLE
(18) PLACES



0.065 WIDE
& 0.071 HIGH
REF.

