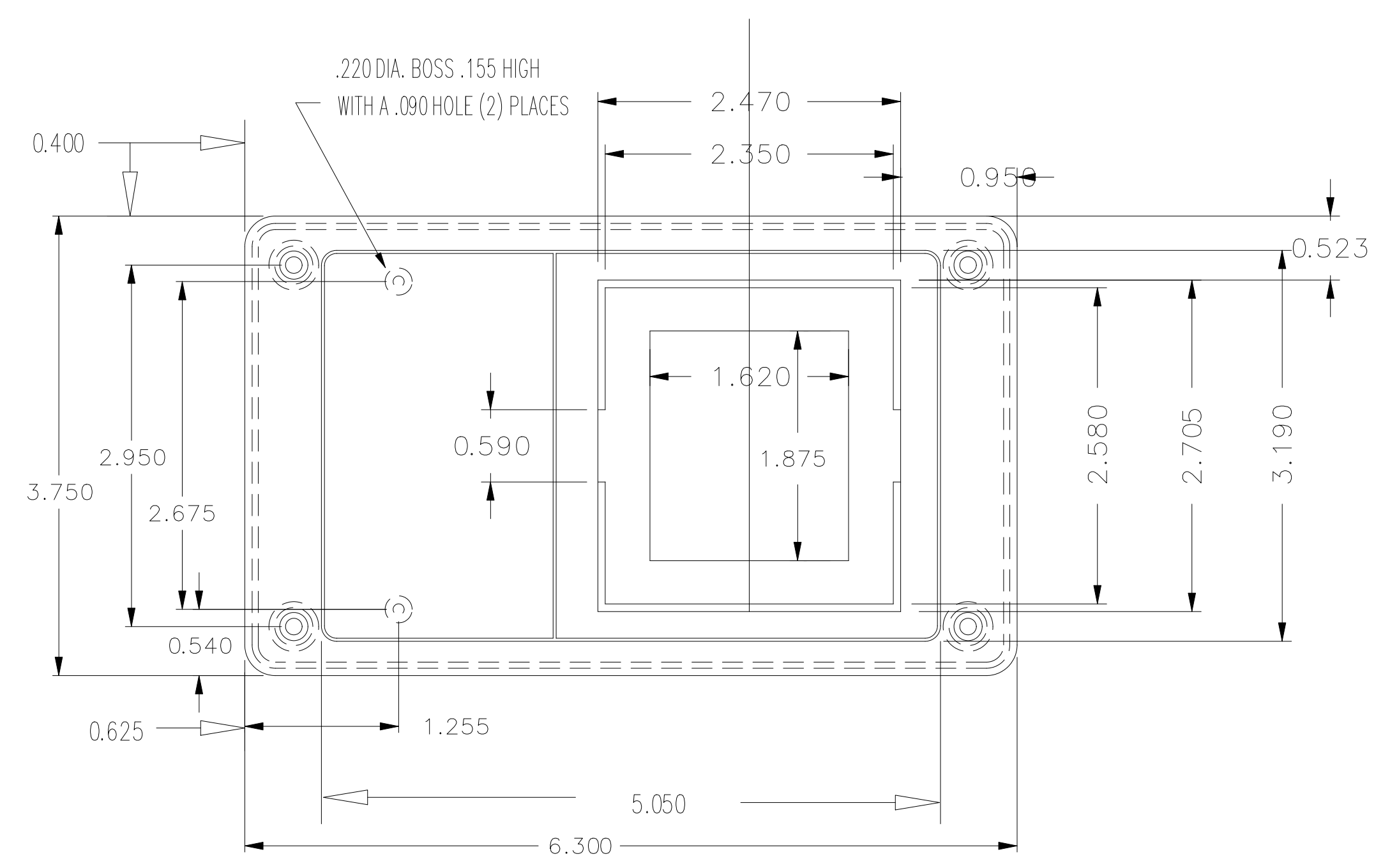
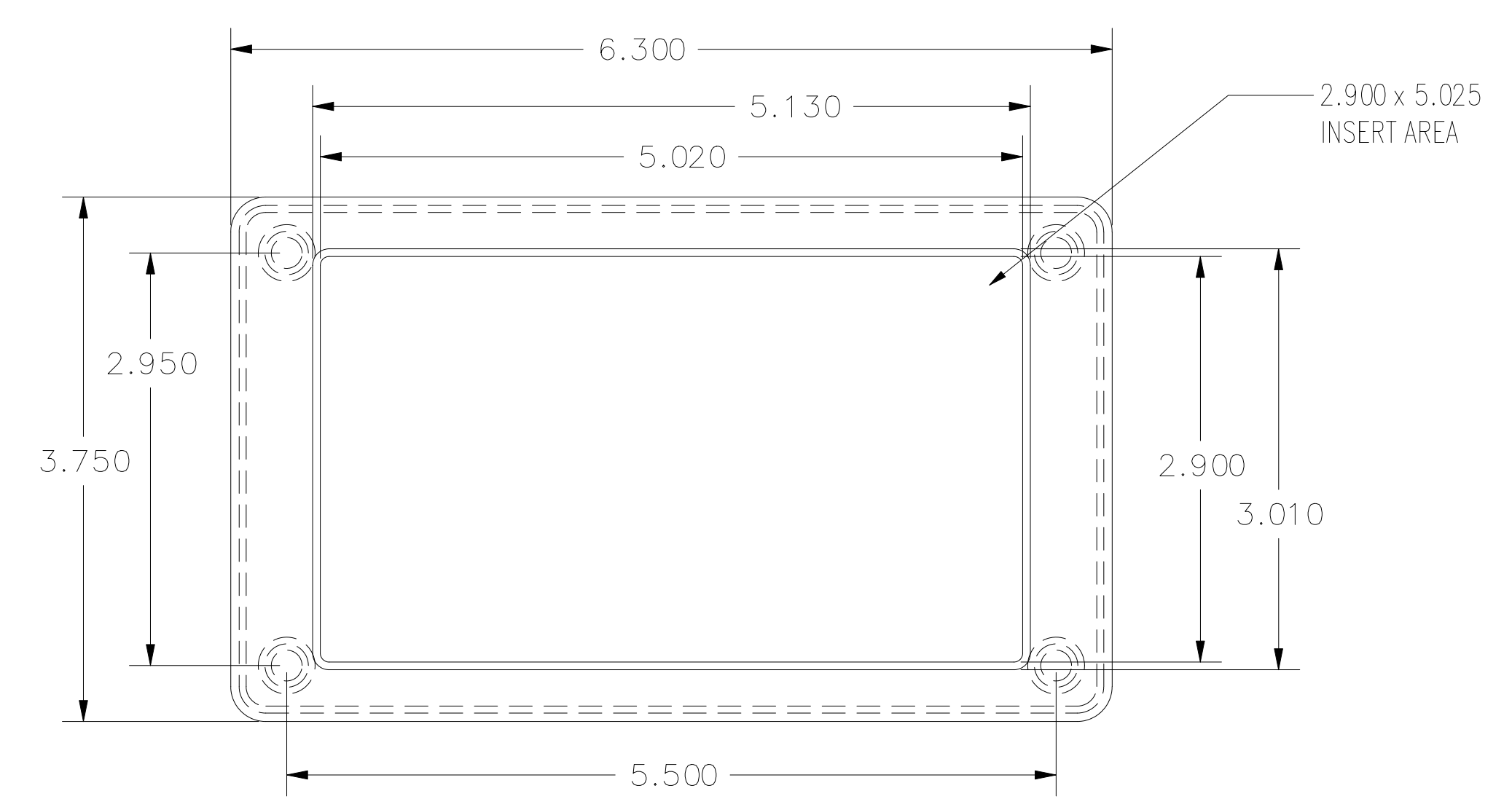
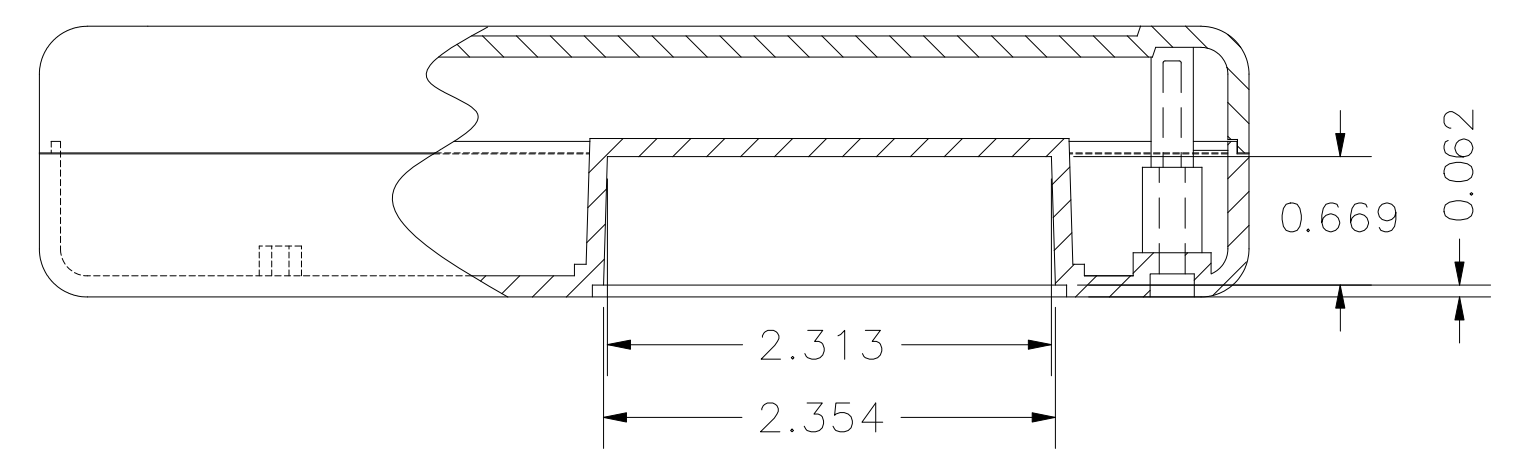
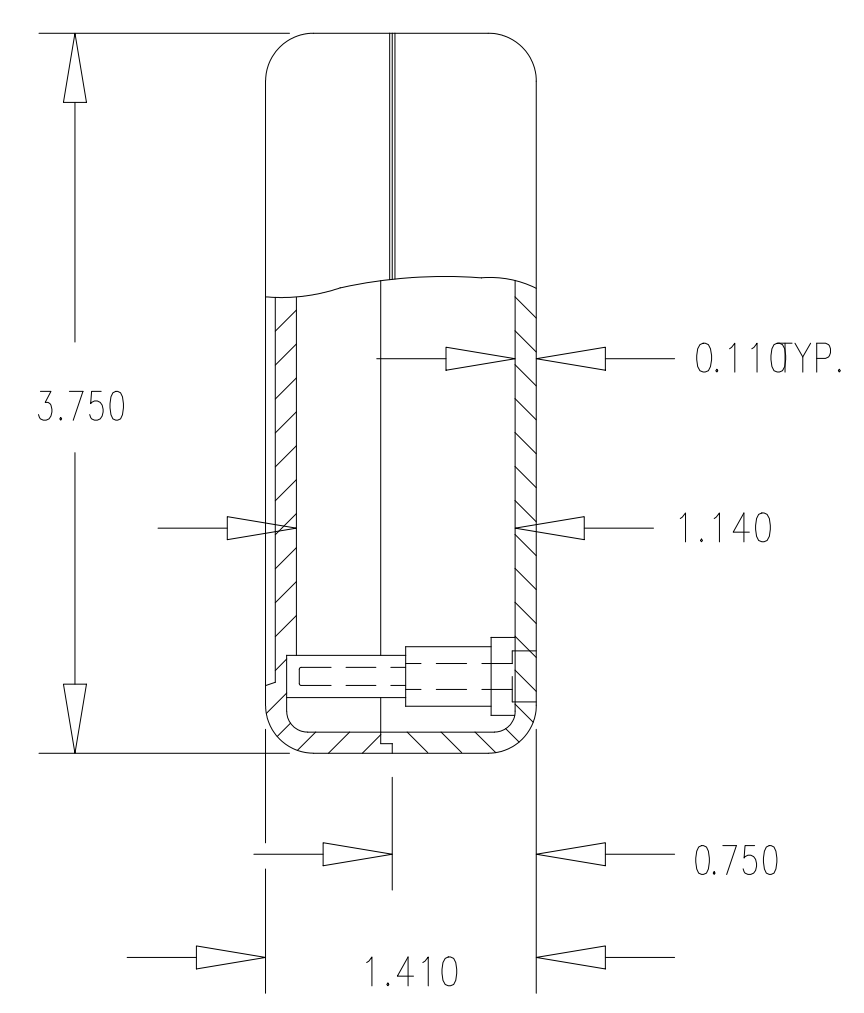
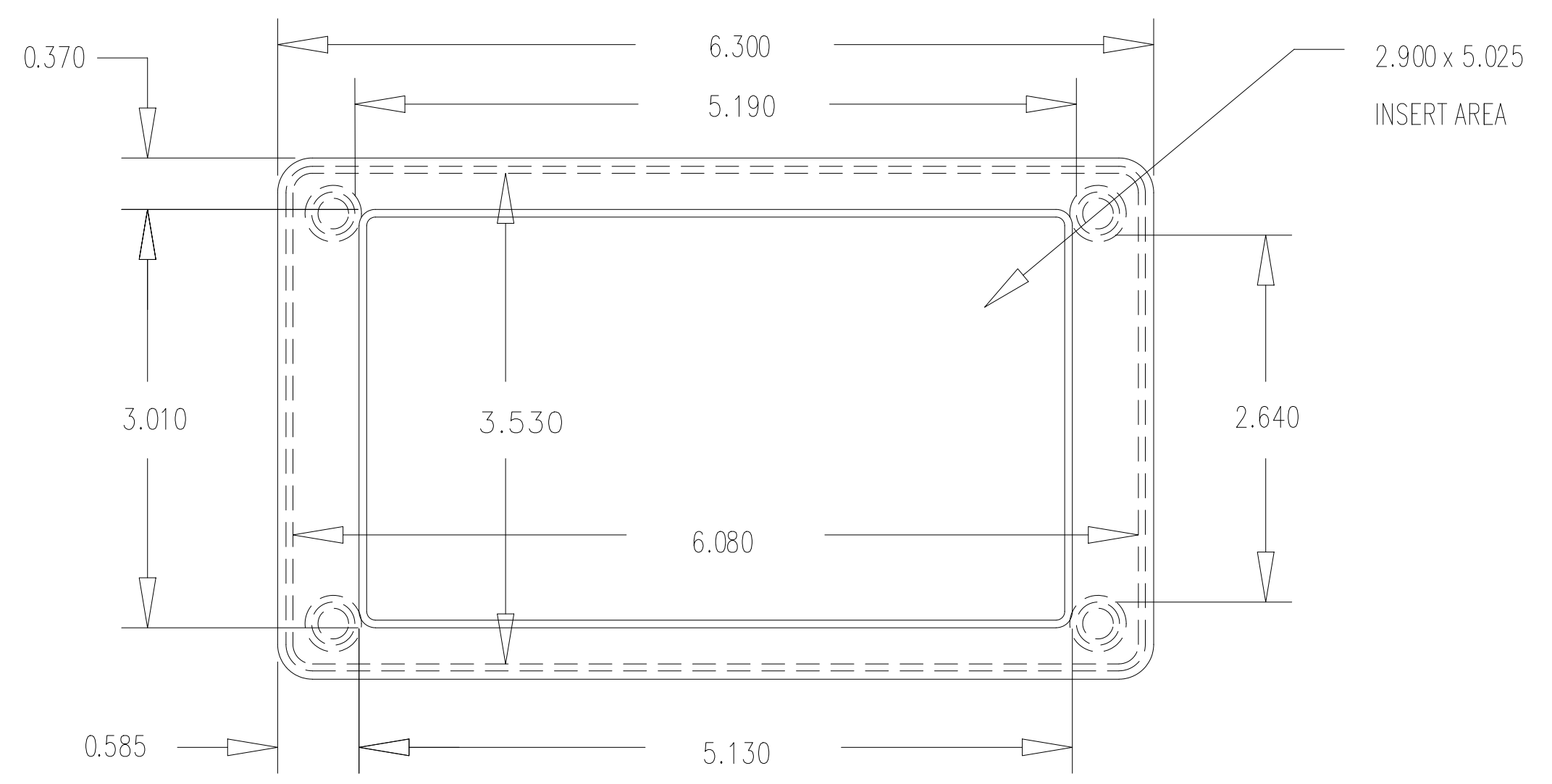


STANDARD INJECTION MOLDING COMPANY, INC.®

REVISIONS			
REV.	DESCRIPTION	DATE	APPROVED



UNLESS OTHERWISE SPECIFIED
DIMENSIONS ARE IN INCHES.
TOLERANCES ARE ± .015
UNLESS OTHERWISE STATED
ANGLES ± .5°
MATERIAL
ABS
FINISH
Texture
CAD GENERATED DRAWING
DO NOT UPDATE MANUALLY

INCLUDED HARDWARE	
Qty.	FEET
SCREWS	

SIMCO

36T4AB

SIZE DRAWING NO. **36T4AB** REV. **D**

SCALE: CAD FILE: 36T4AB.DC SHEET 1 OF 1