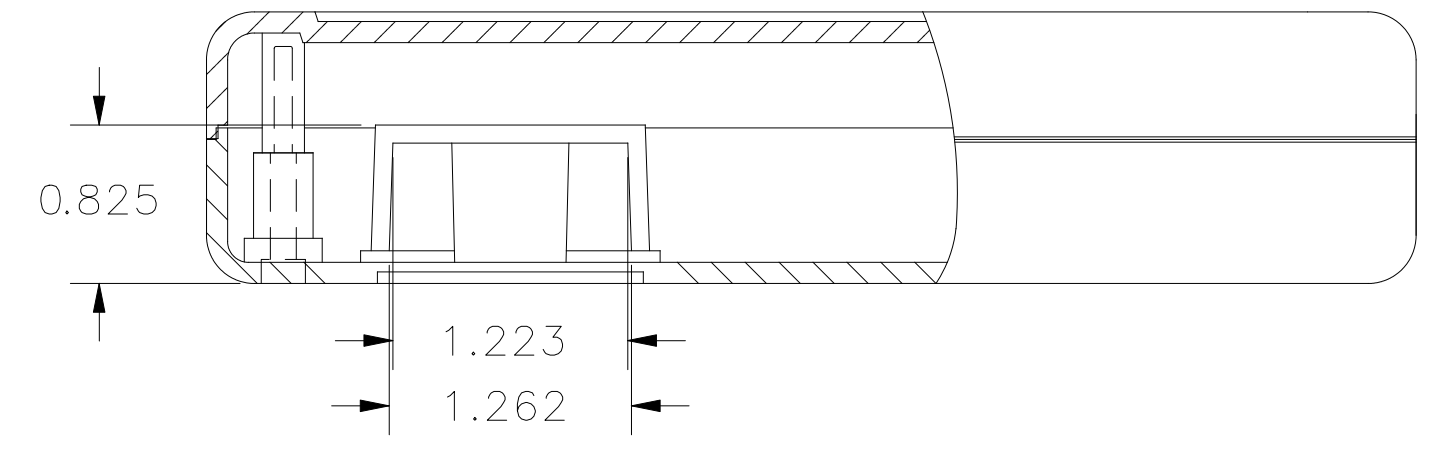
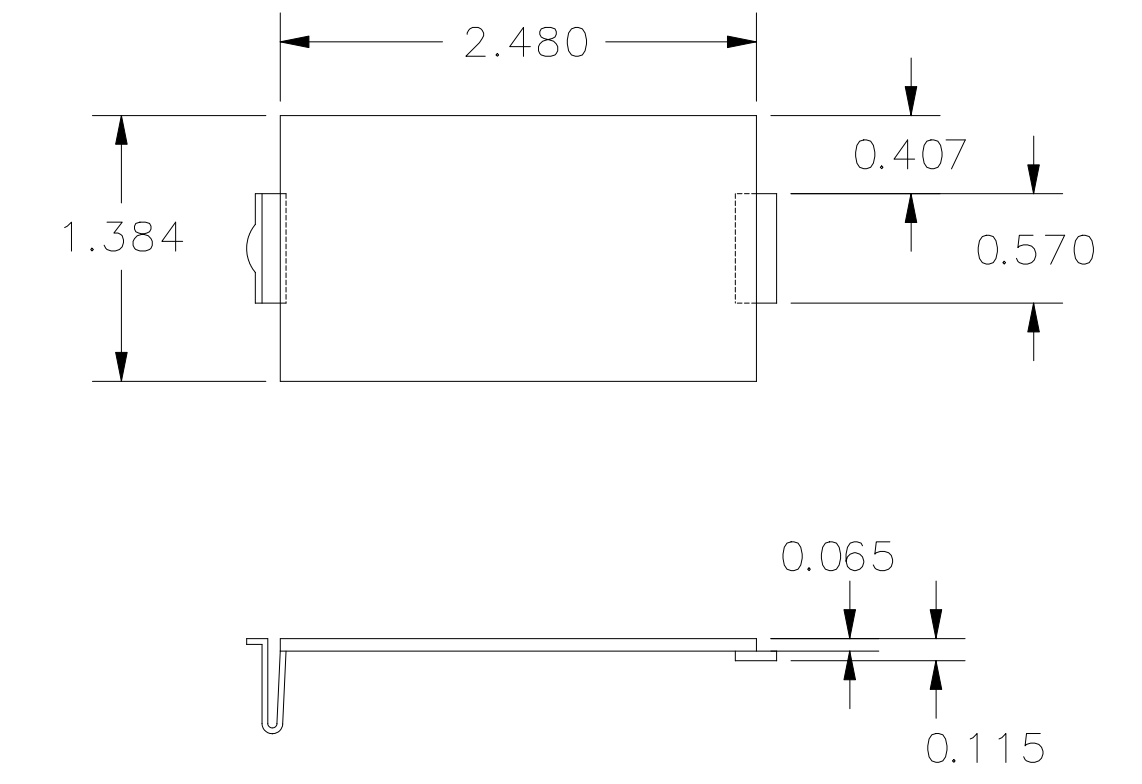
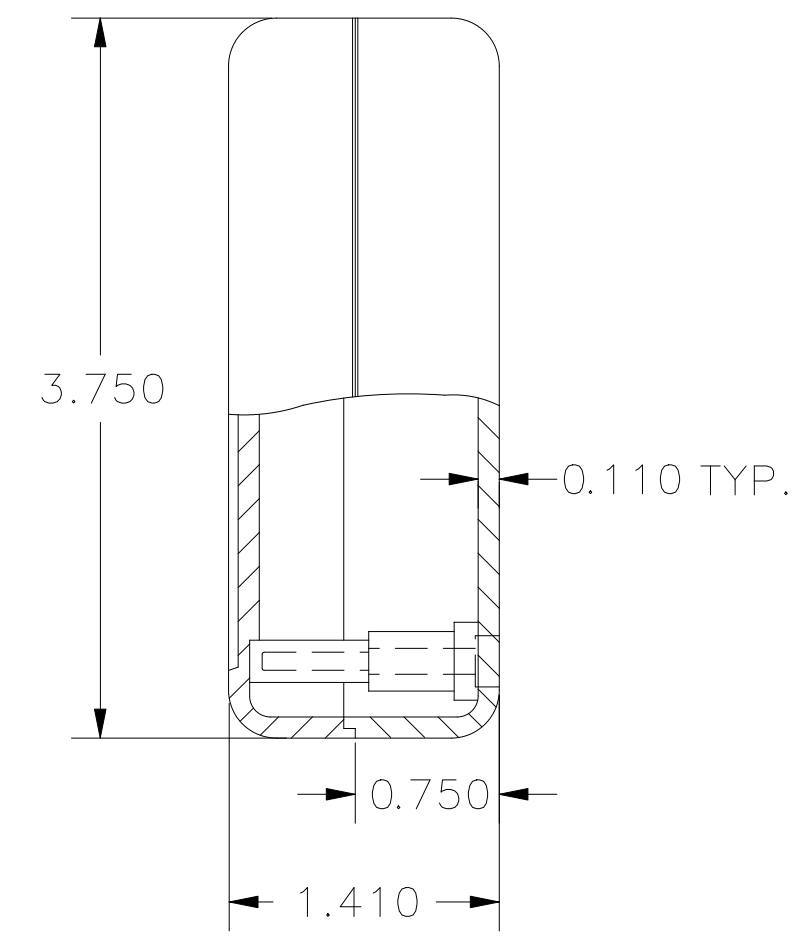
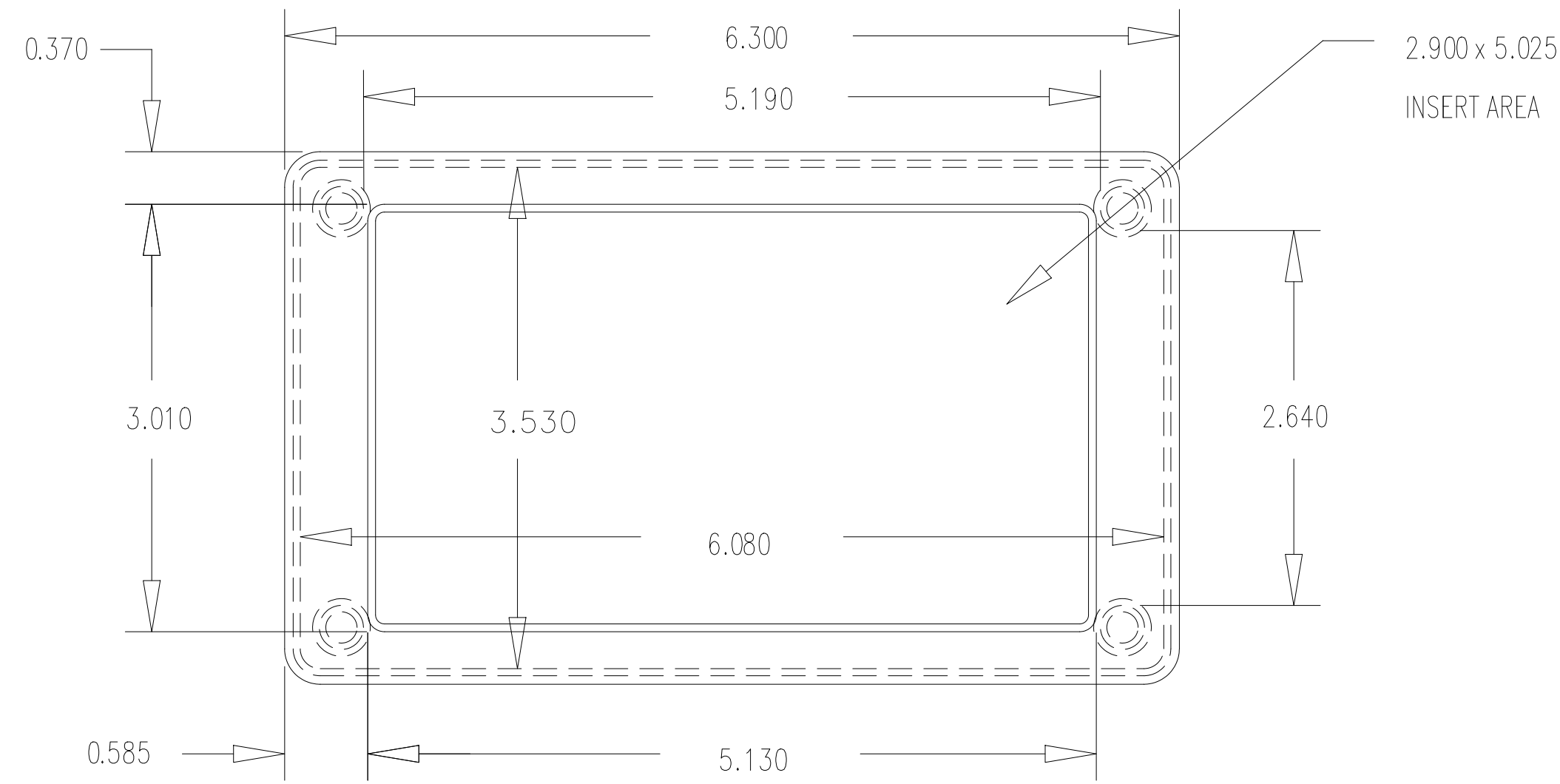
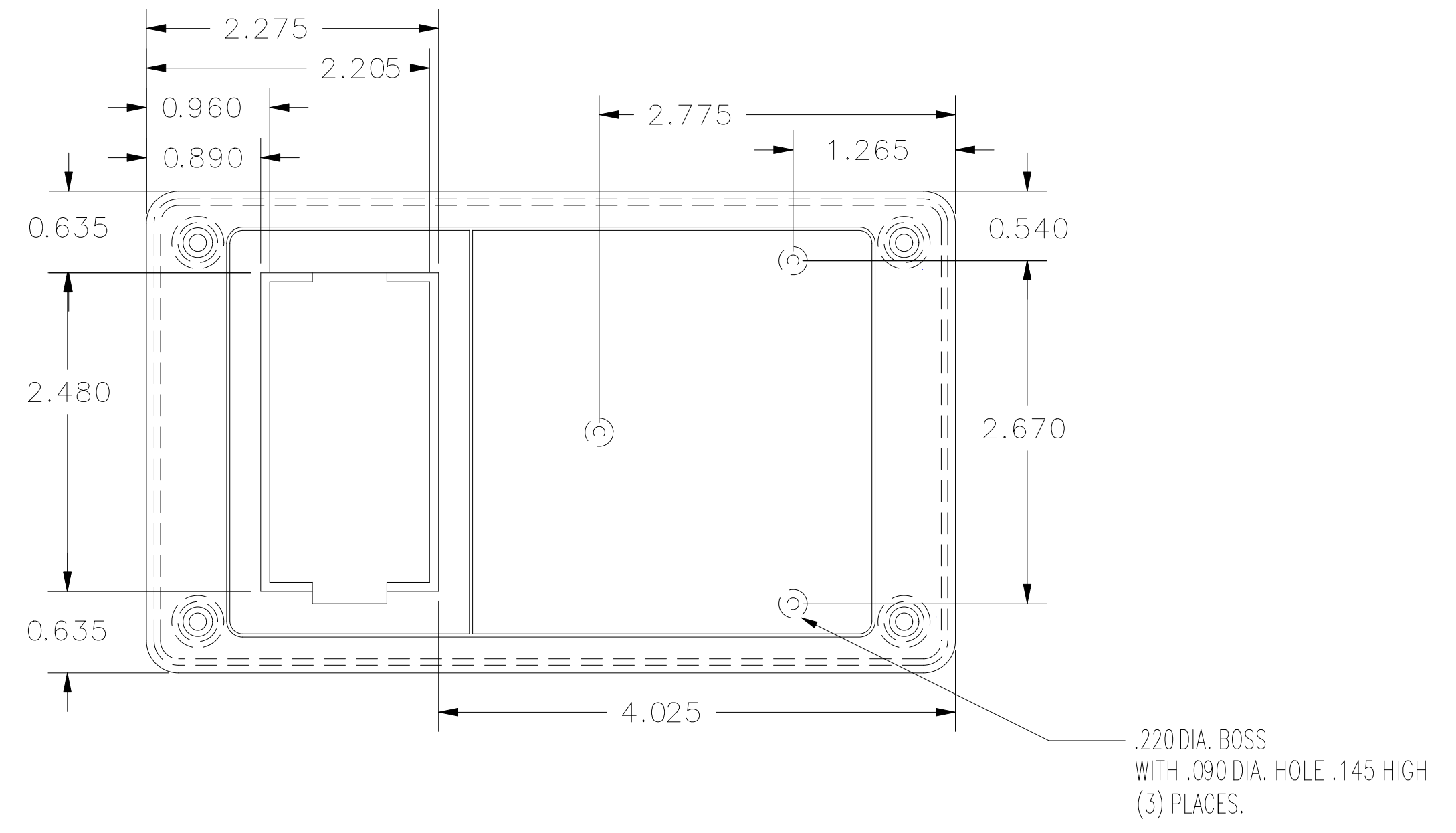
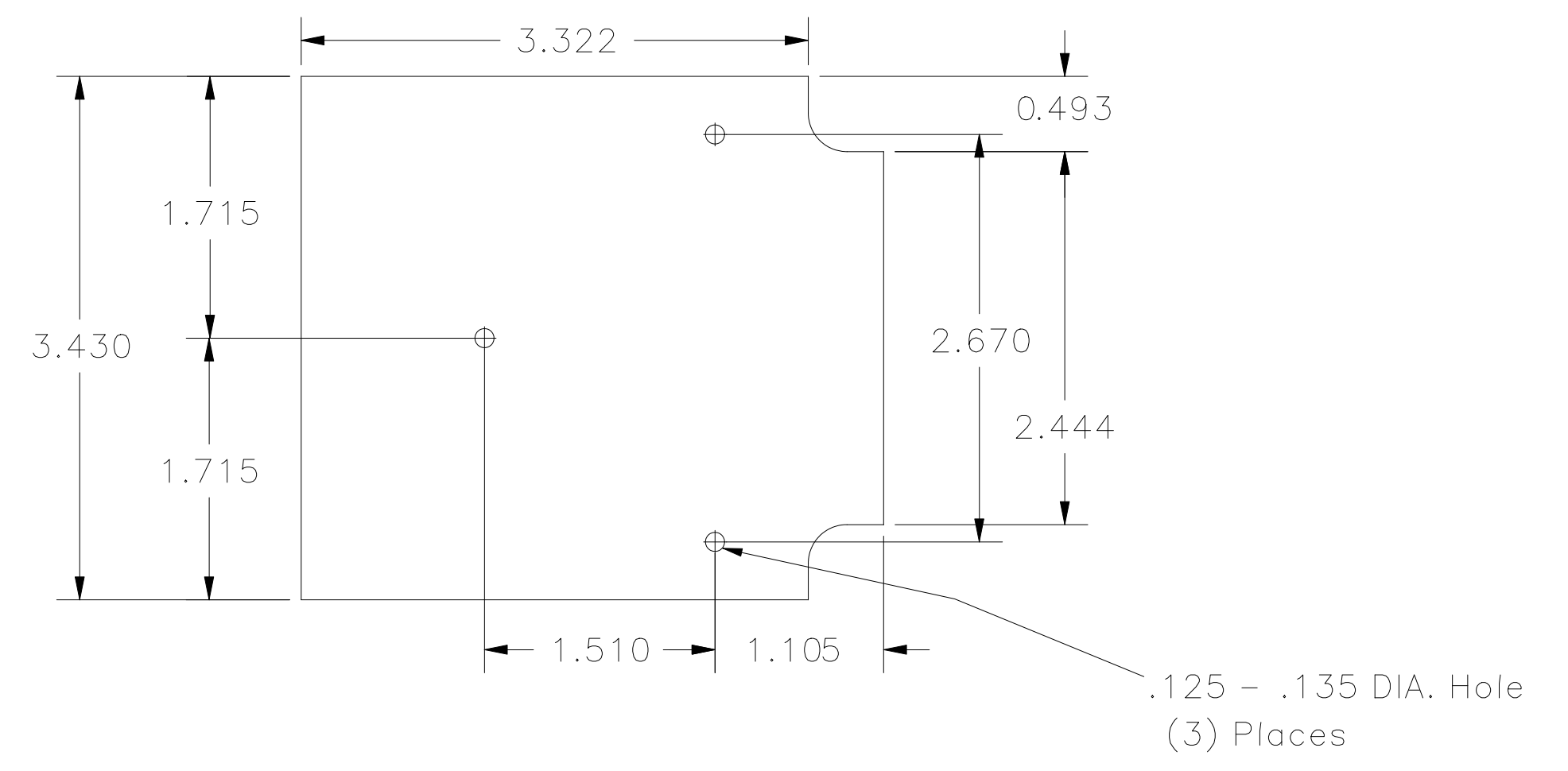


REVISIONS			
REV.	DESCRIPTION	DATE	APPROVED



Circuit Board layout



UNLESS OTHERWISE SPECIFIED DIMENSIONS ARE IN INCHES.
 TOLERANCES ARE ± .015 UNLESS OTHERWISE STATED
 ANGLES ± .5°
 MATERIAL ABS
 FINISH Texture
 CAD GENERATED DRAWING DO NOT UPDATE MANUALLY

INCLUDED HARDWARE		
Qty.	SCREWS	Qty. FEET
4	#4X5/8	4

SIMCO

36T2AB/B

SIZE: DRAWING NO. REV.
 D
 SCALE: CAD FILE: SHEET OF