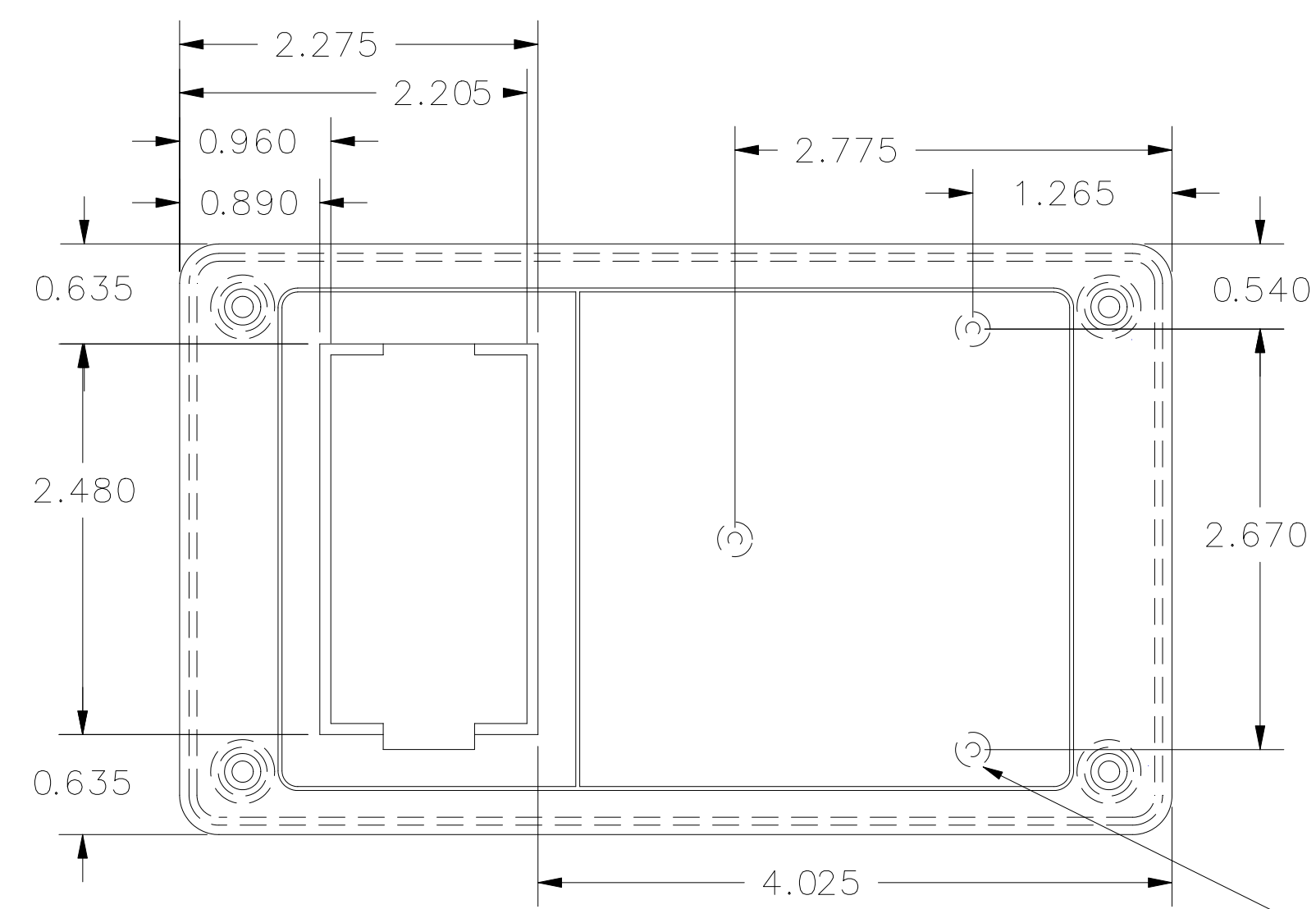
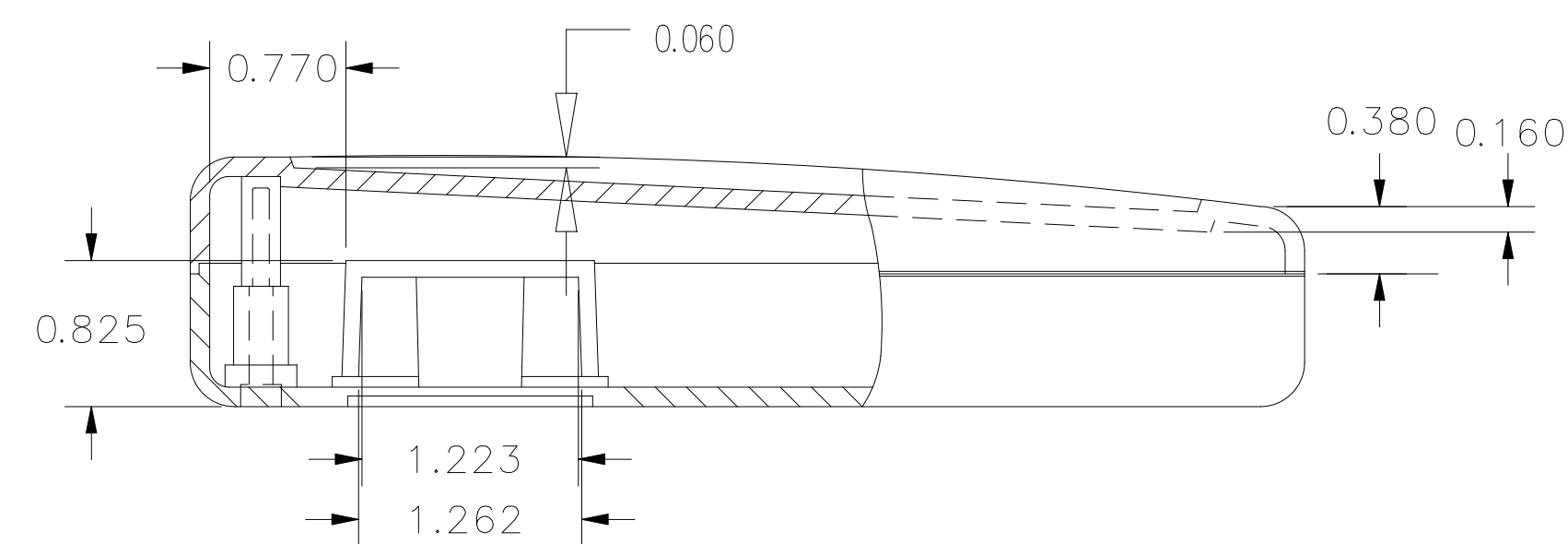
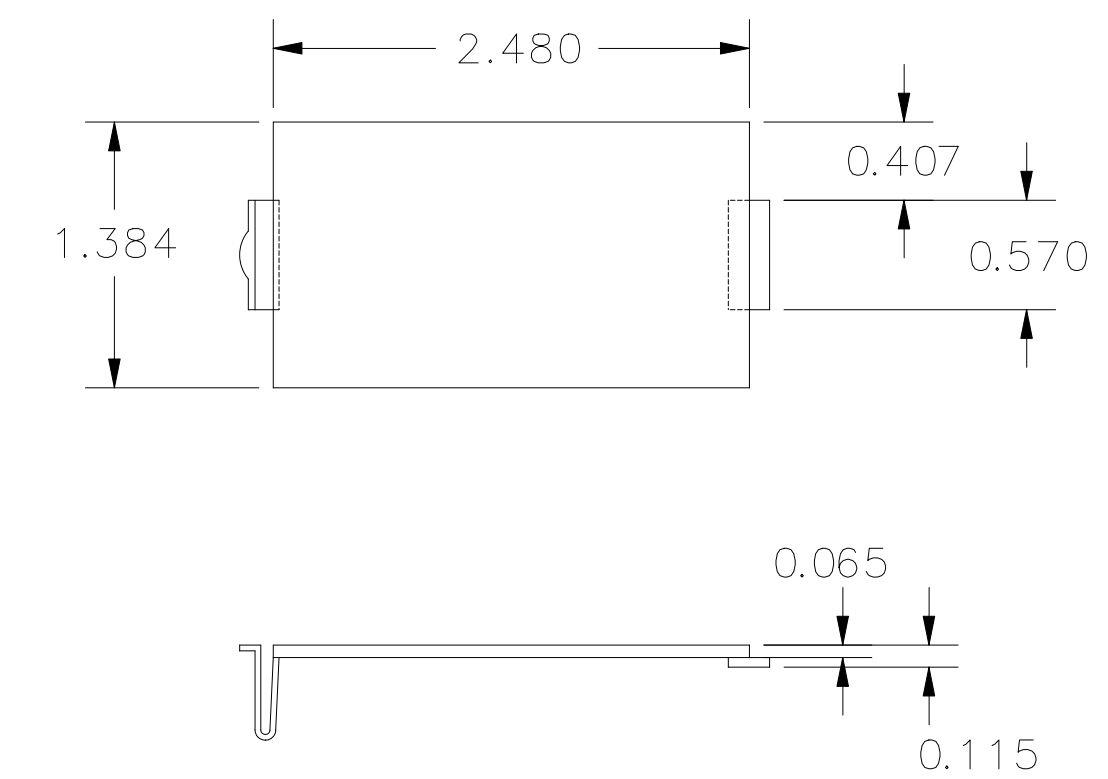
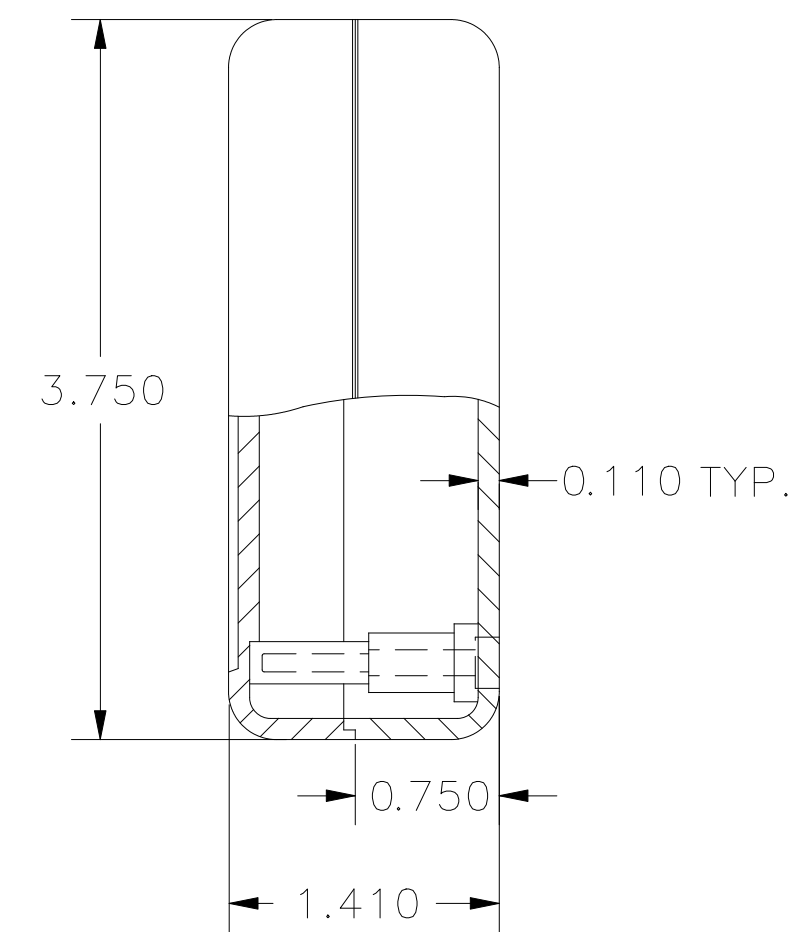
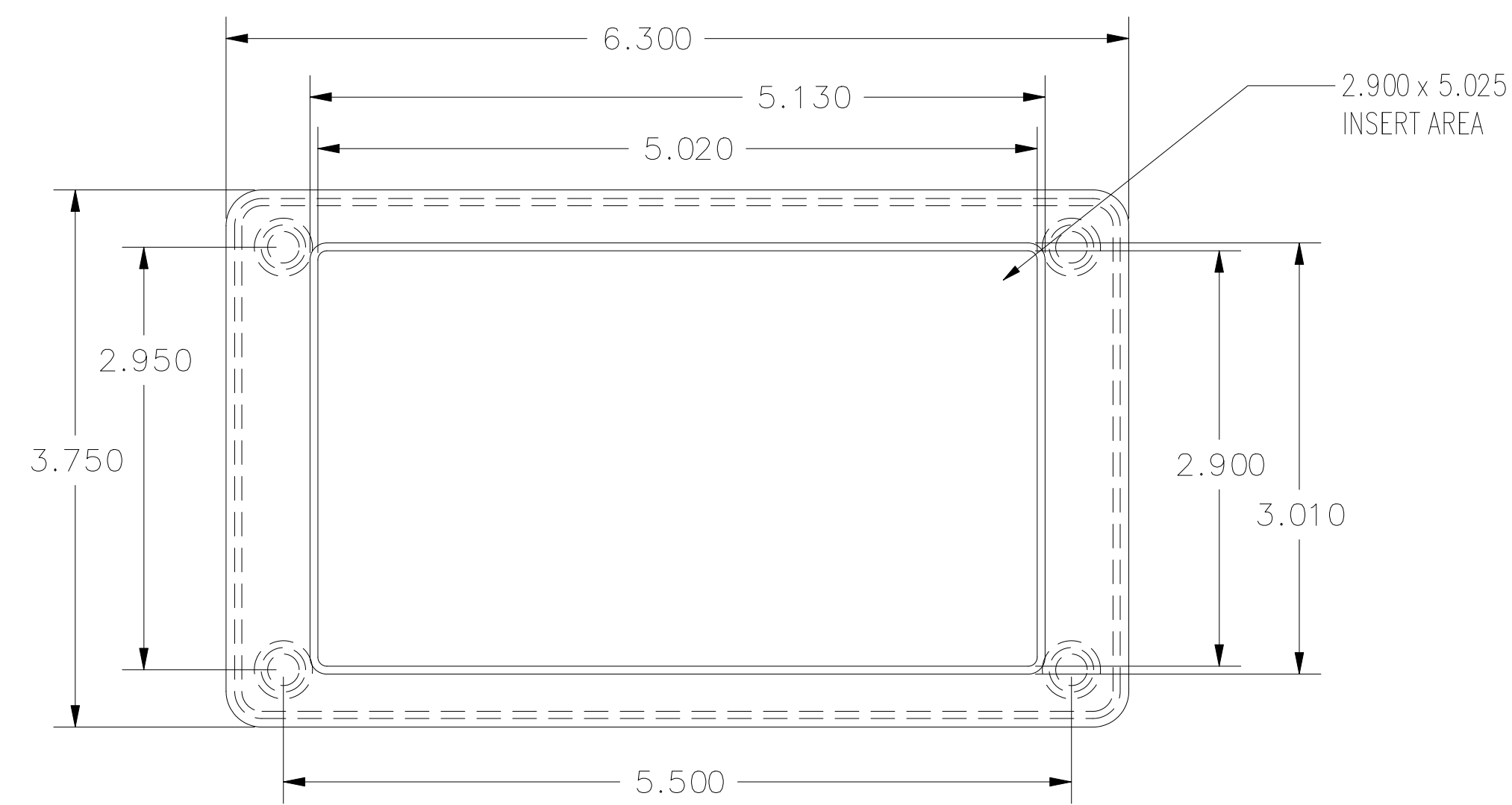
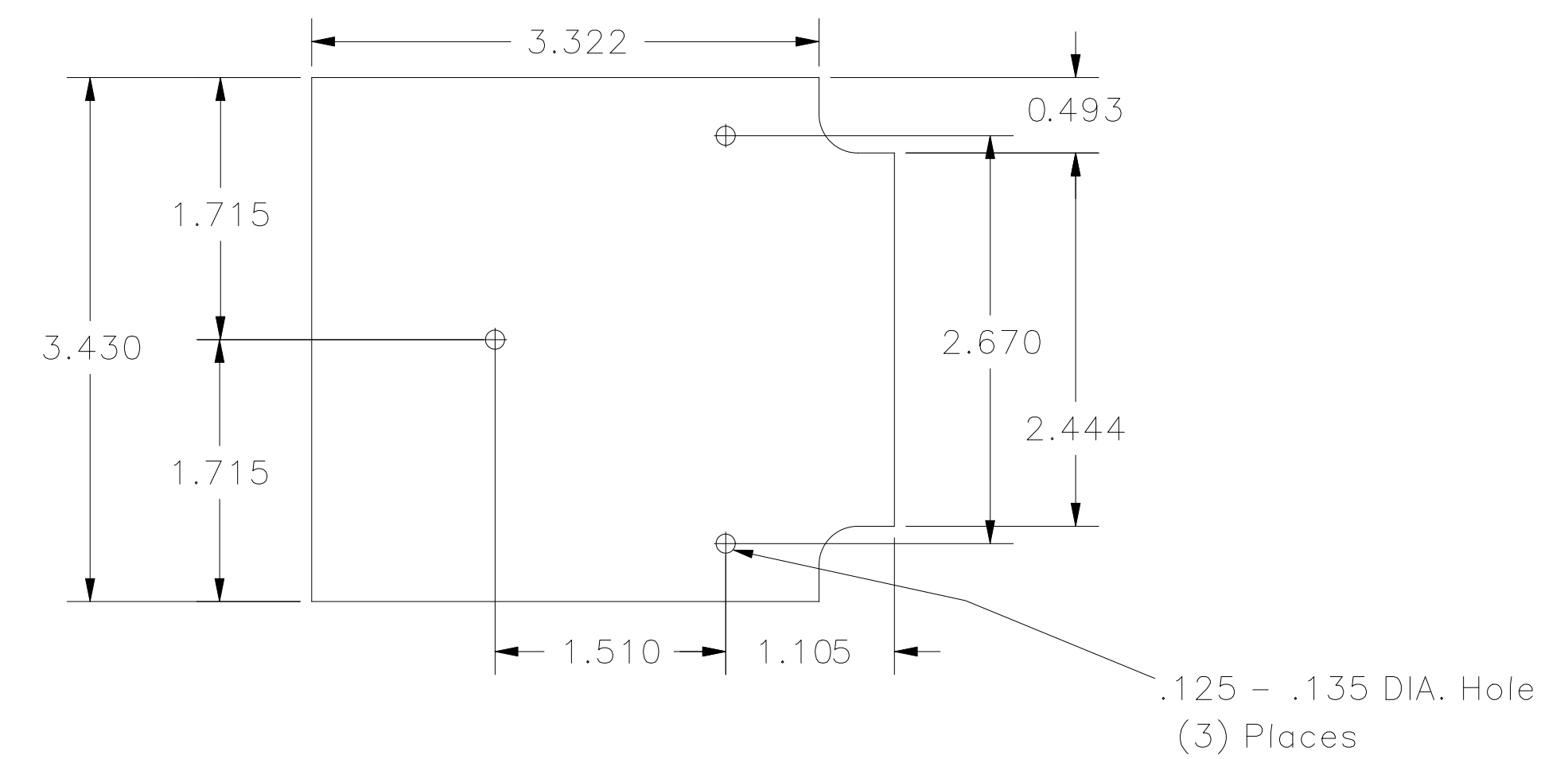


REVISIONS			
REV.	DESCRIPTION	DATE	APPROVED



.220 DIA. BOSS WITH .090 DIA. HOLE .145 HIGH (3) PLACES.

Circuit Board layout



UNLESS OTHERWISE SPECIFIED DIMENSIONS ARE IN INCHES.  
 TOLERANCES ARE ± .015 UNLESS OTHERWISE STATED  
 ANGLES ± 5°  
 MATERIAL  
 ABS  
 FINISH  
 Texture  
 CAD GENERATED DRAWING DO NOT UPDATE MANUALLY

INCLUDED HARDWARE		
Qty.	SCREWS	Qty. FEET
4	#4X5/8	4

**SIMCO**

362AB/B

SIZE: DRAWING NO.   
 d

SCALE: CAD FILE: SHEET OF