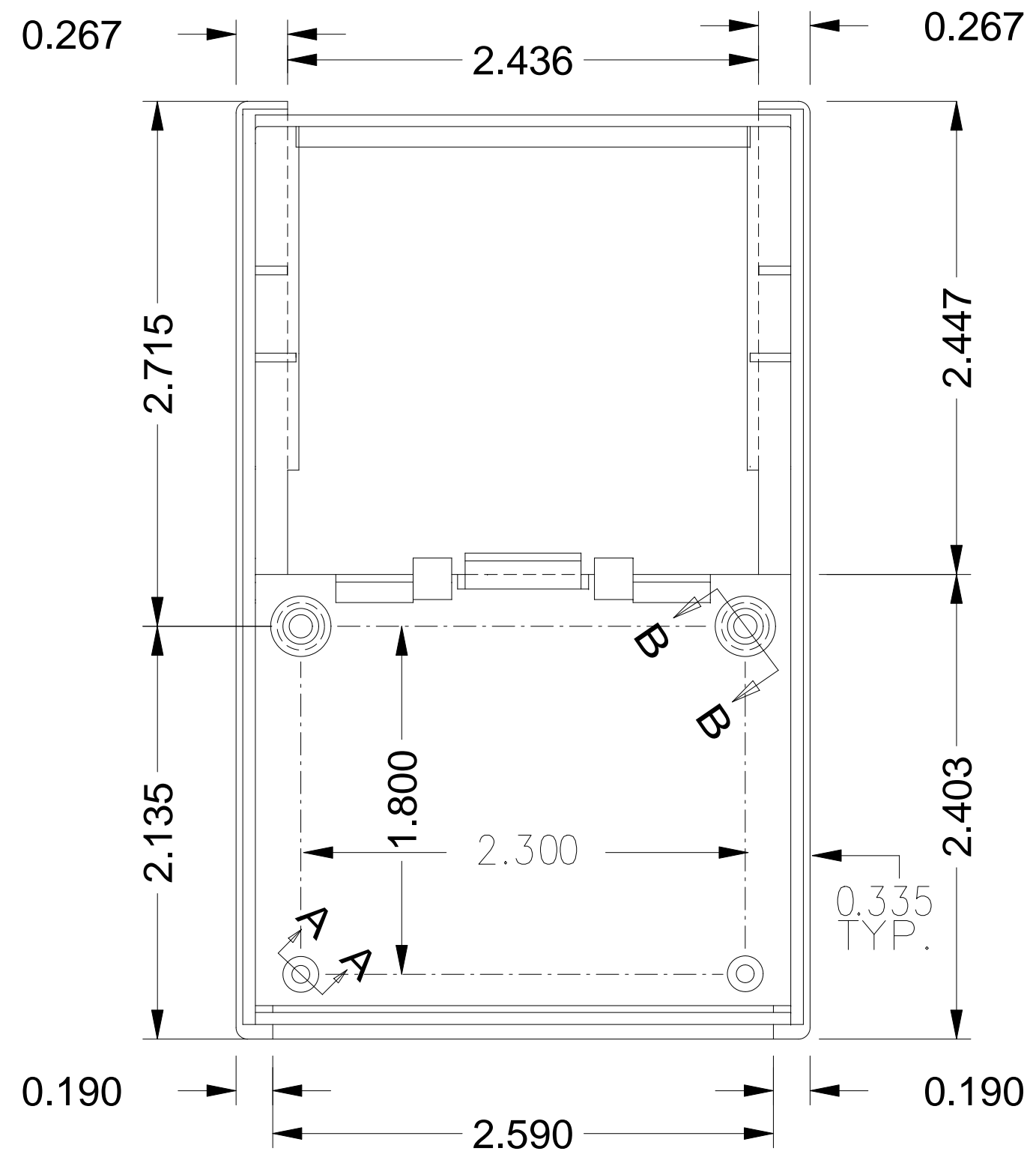
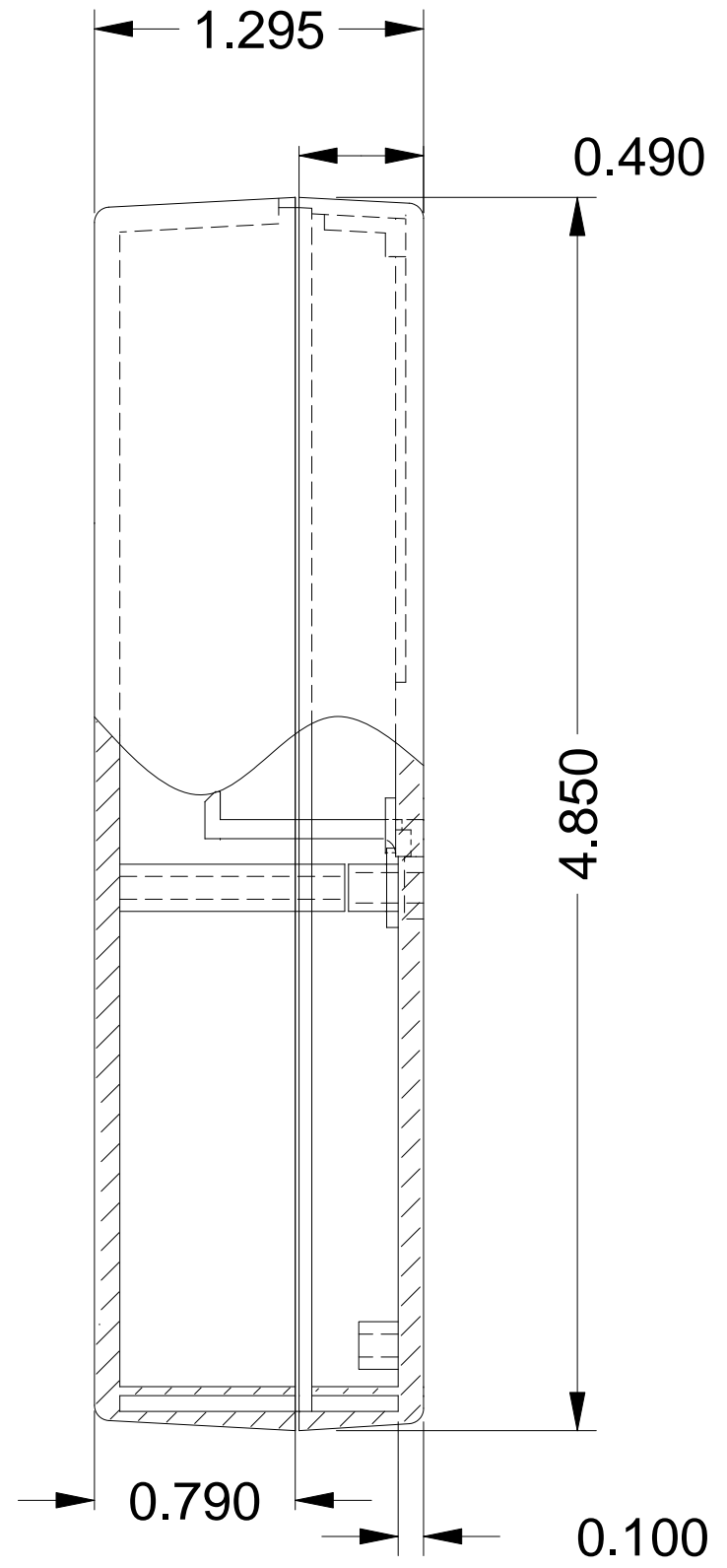


**NOTES: TYP. WALL THICKNESS 0.100**  
**ALL CORNERS HAVE A 0.060 RADIUS**  
**ALL SIDES HAVE A 3 DEGREE DRAFT INCLUDING PANEL**

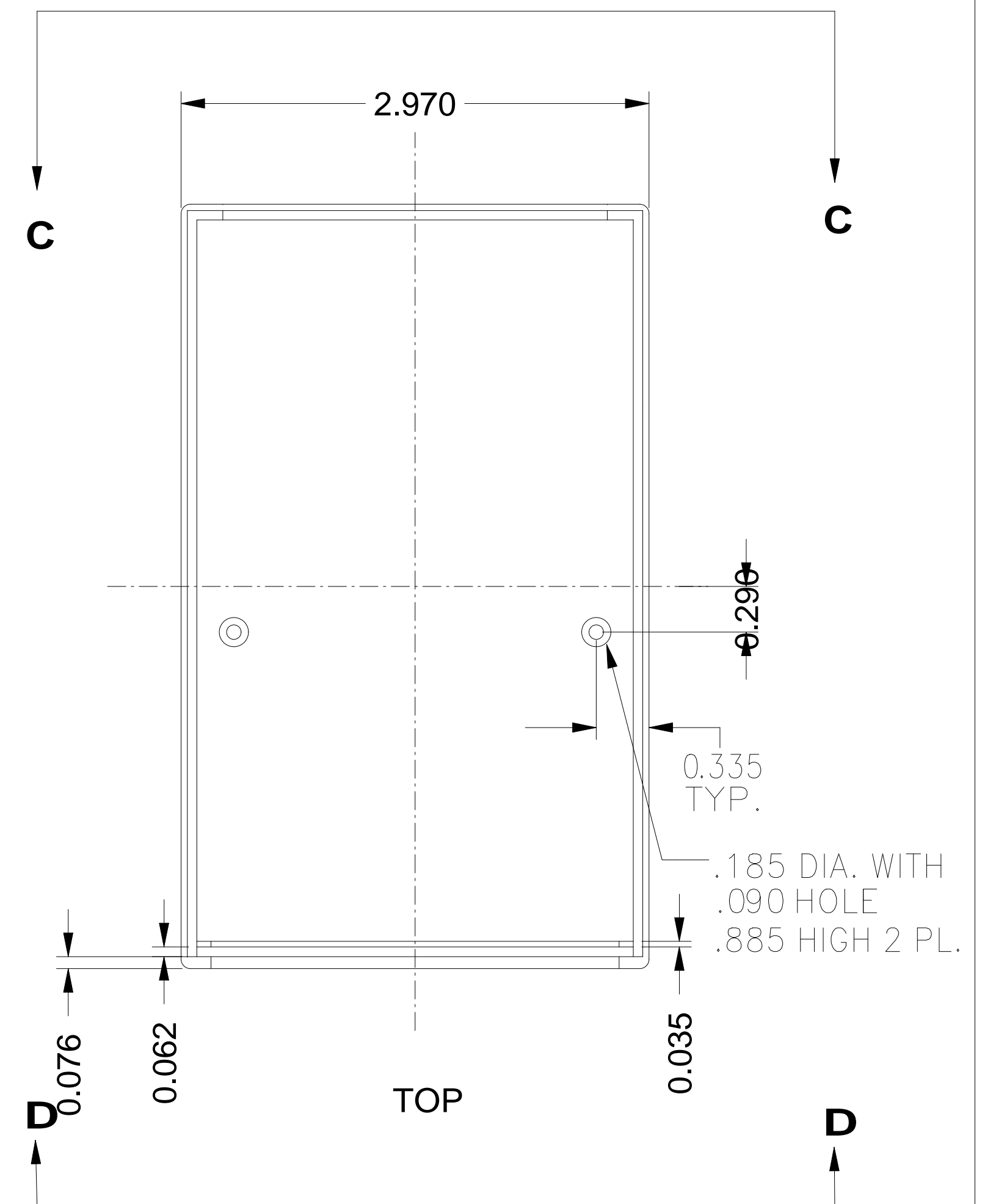


**BOTTOM**

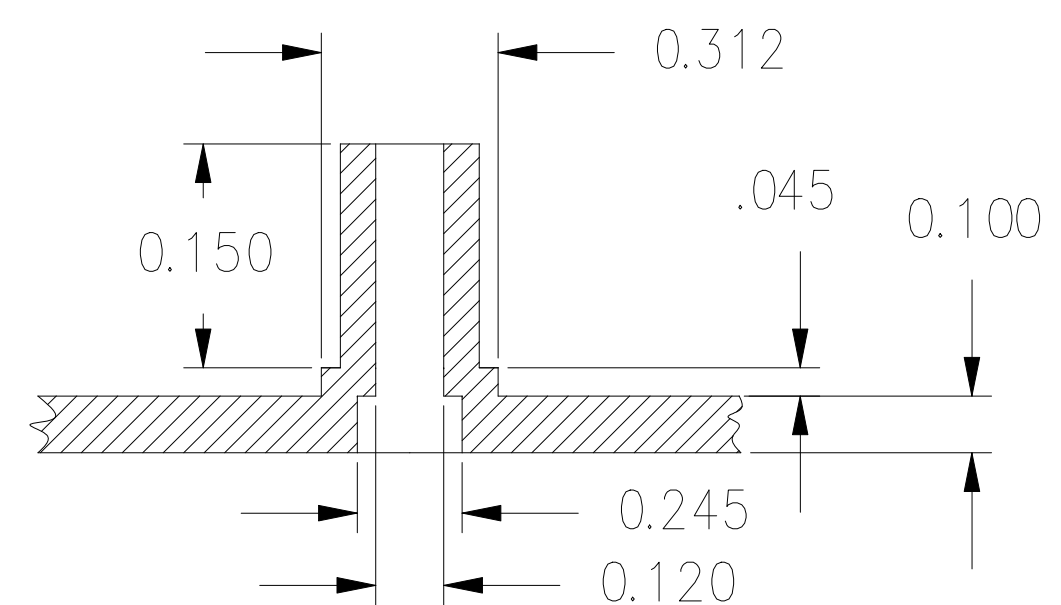
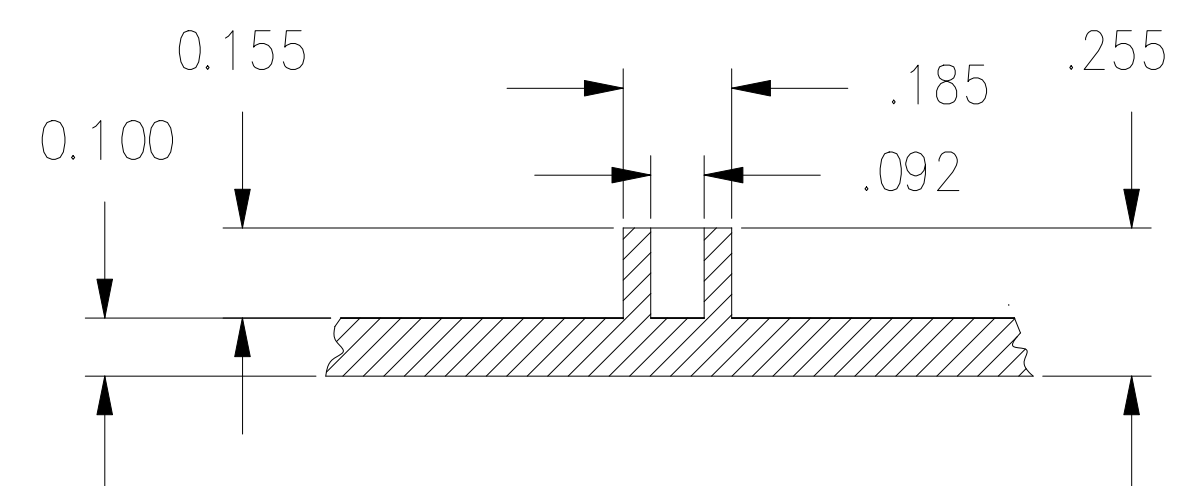
**SECTION A - A**



**SECTION B - B**



**TOP**



DESCRIPTION			
UNLESS OTHERWISE SPEC.	<b>SIMCO</b>		
TOLERANCES: +/- .010			
DATE: Oct 10, 1999	TITLE: <b>35TBA</b>		
SHEET 1 OF 2	SCALE: NONE	DRAWING NO.	REV. 3