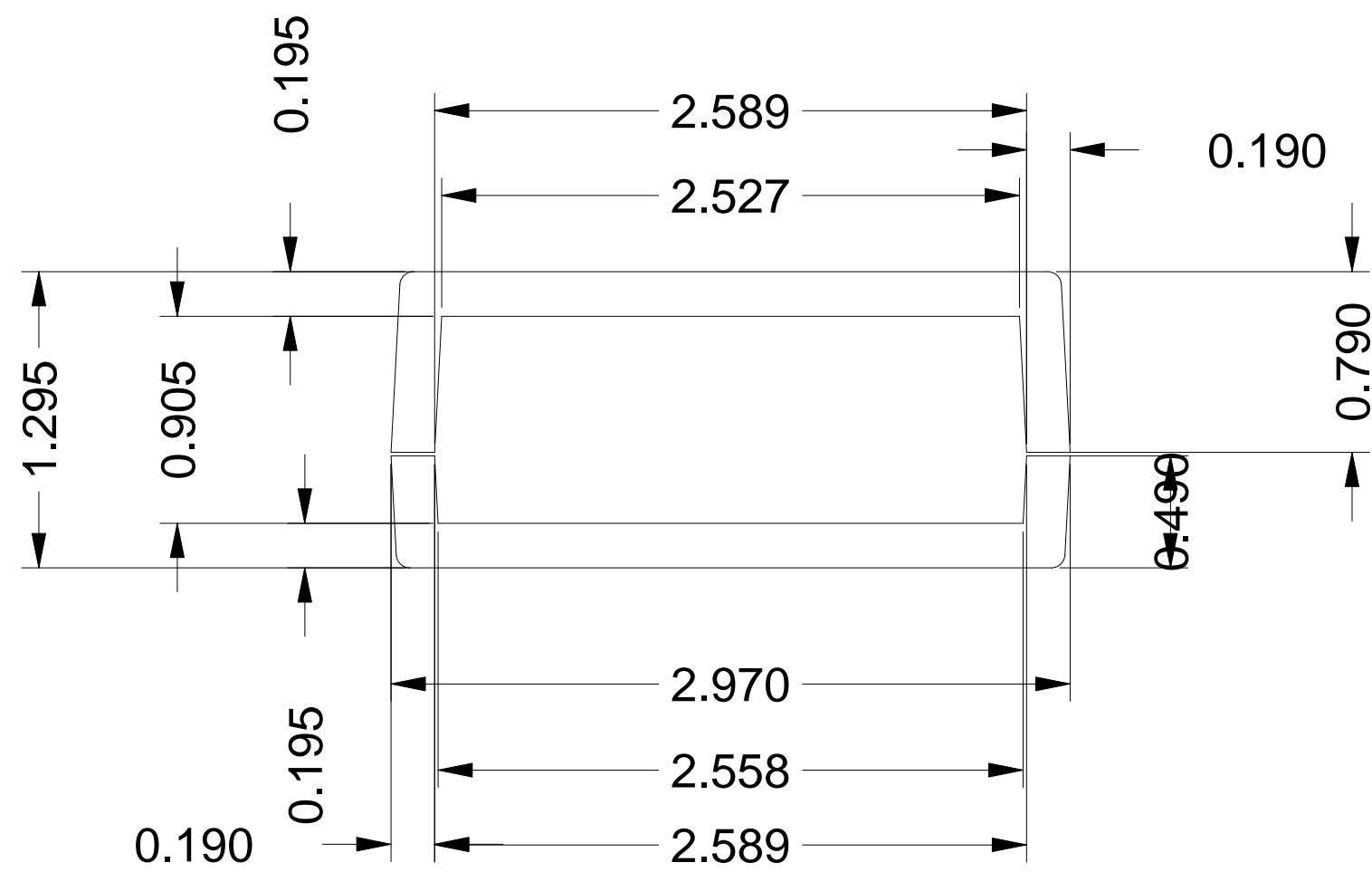


NOTES: ALL CORNERS HAVE A 0.060 RADIUS
 ALL SIDES HAVE A 3 DEGREE DRAFT INCLUDING PANEL

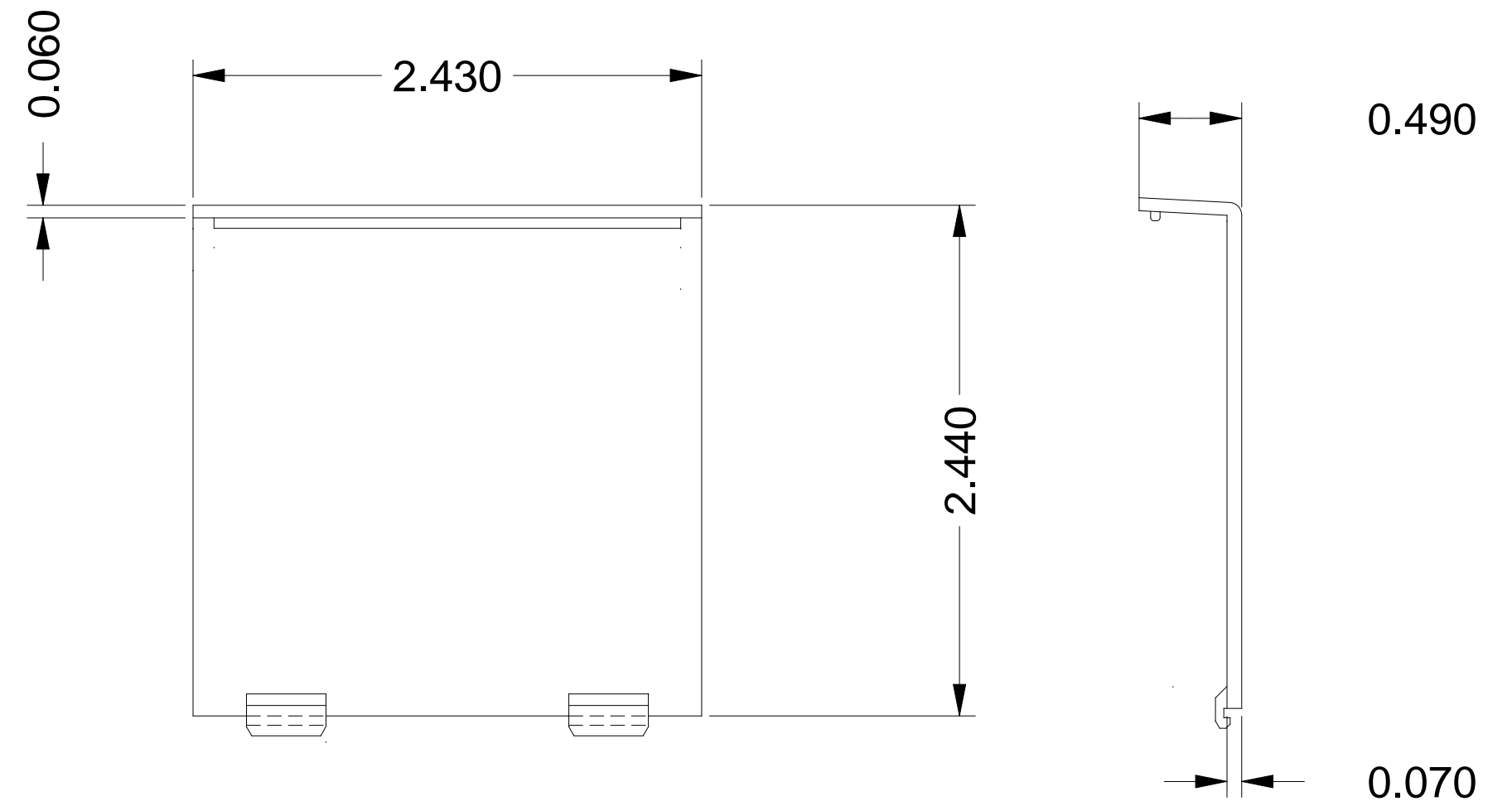
SECTION C - C
FRONT VIEW BATTERY ACCESS END



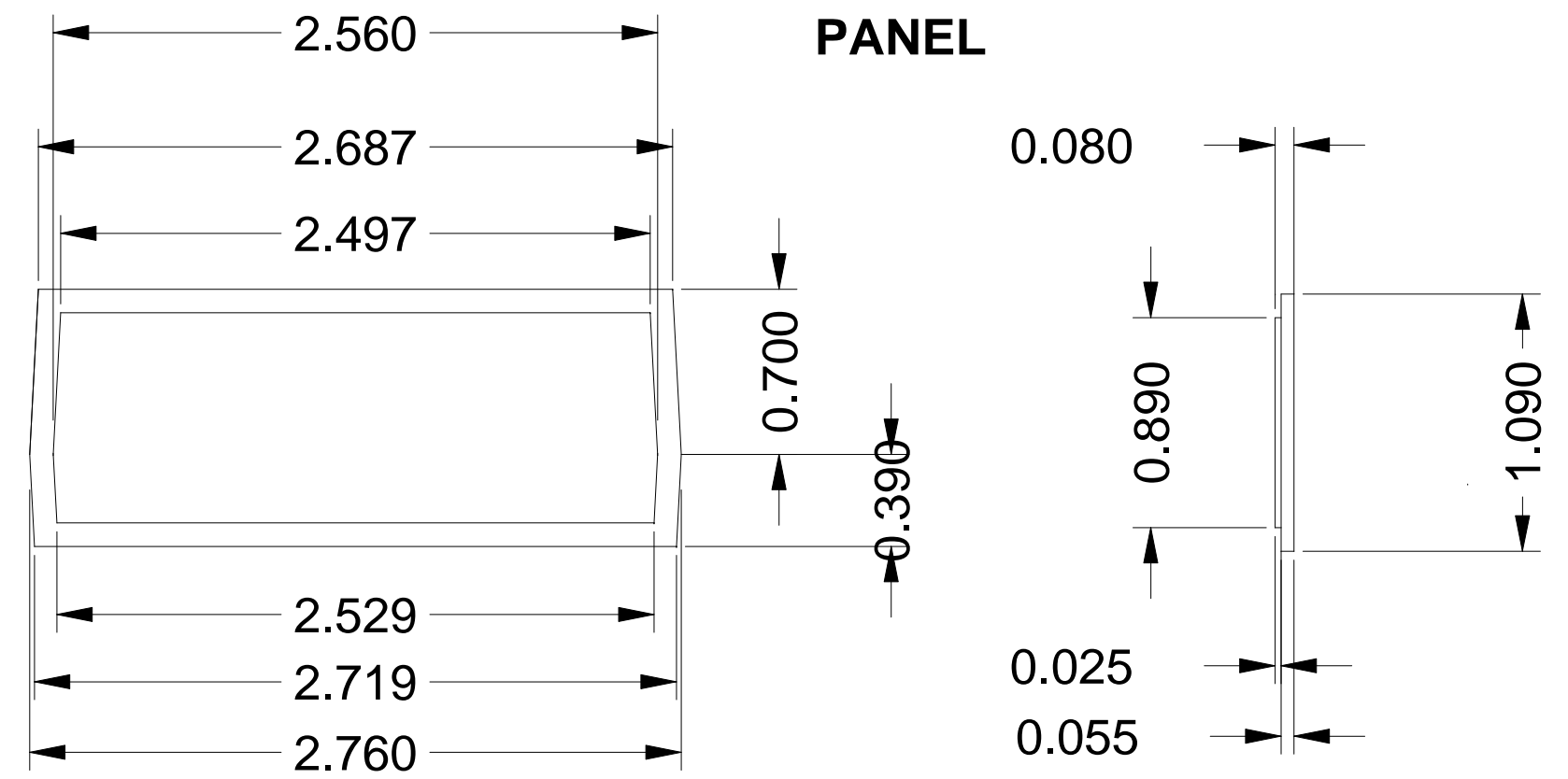
SECTION D - D
REAR VIEW PANEL END



BATTERY DOOR



PANEL



DESCRIPTION			
UNLESS OTHERWISE SPEC.	SIMCO		
TOLERANCES: +/- .010			
DATE: Oct 10, 1999	TITLE: 35TBA		
SHEET 2 OF 2	SCALE: NONE	DRAWING NO.	REV. 3