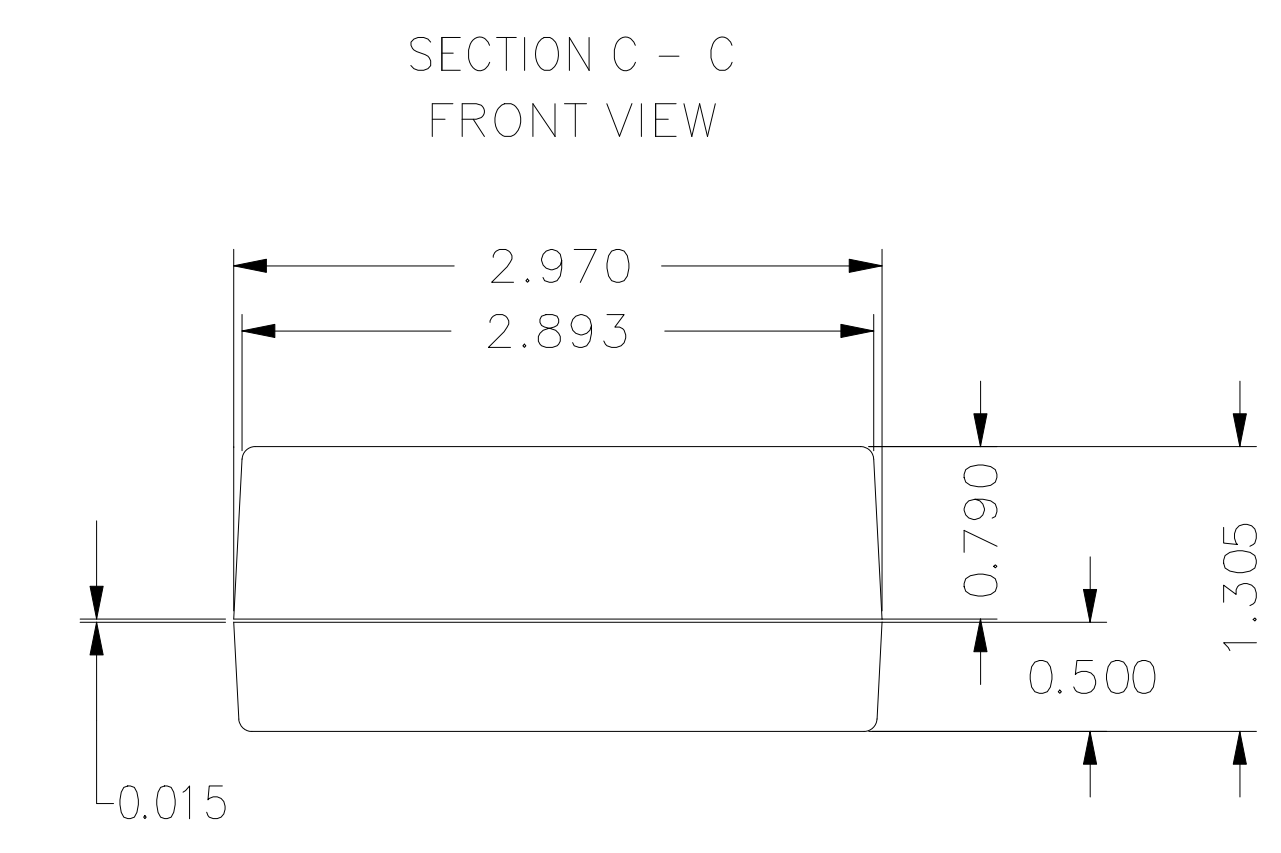
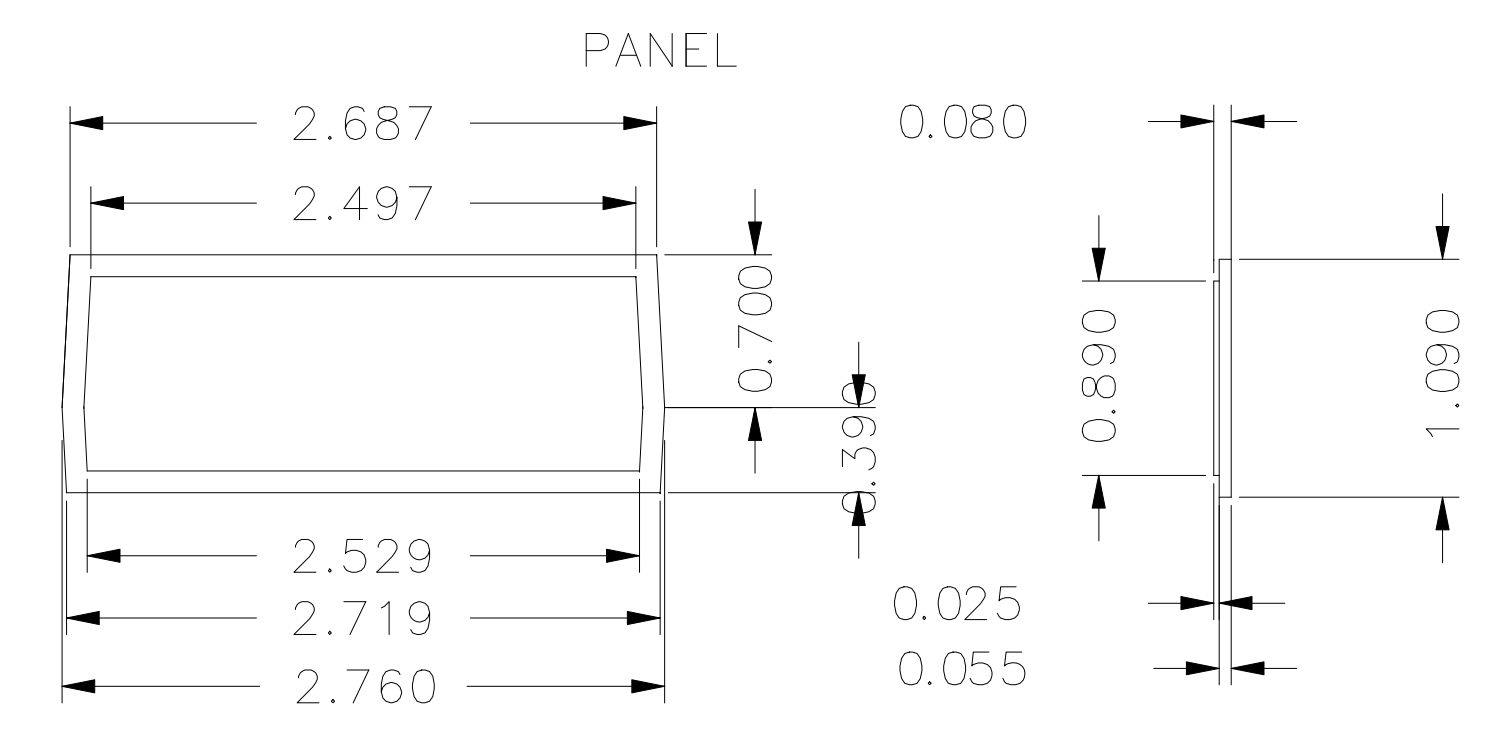
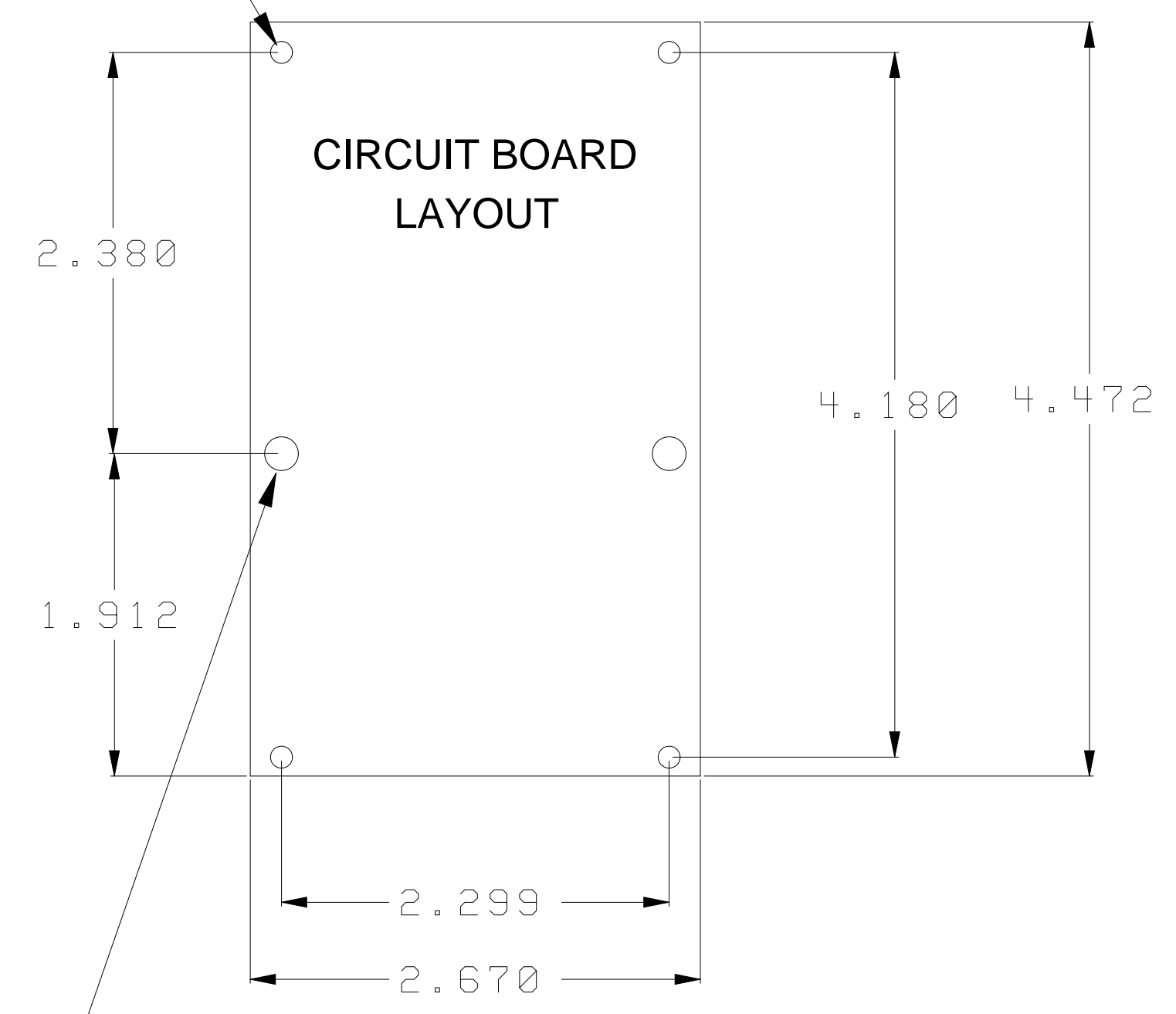


| REVISIONS | | | |
|-----------|-------------|------|----------|
| REV. | DESCRIPTION | DATE | APPROVED |
| | | | |
| | | | |
| | | | |

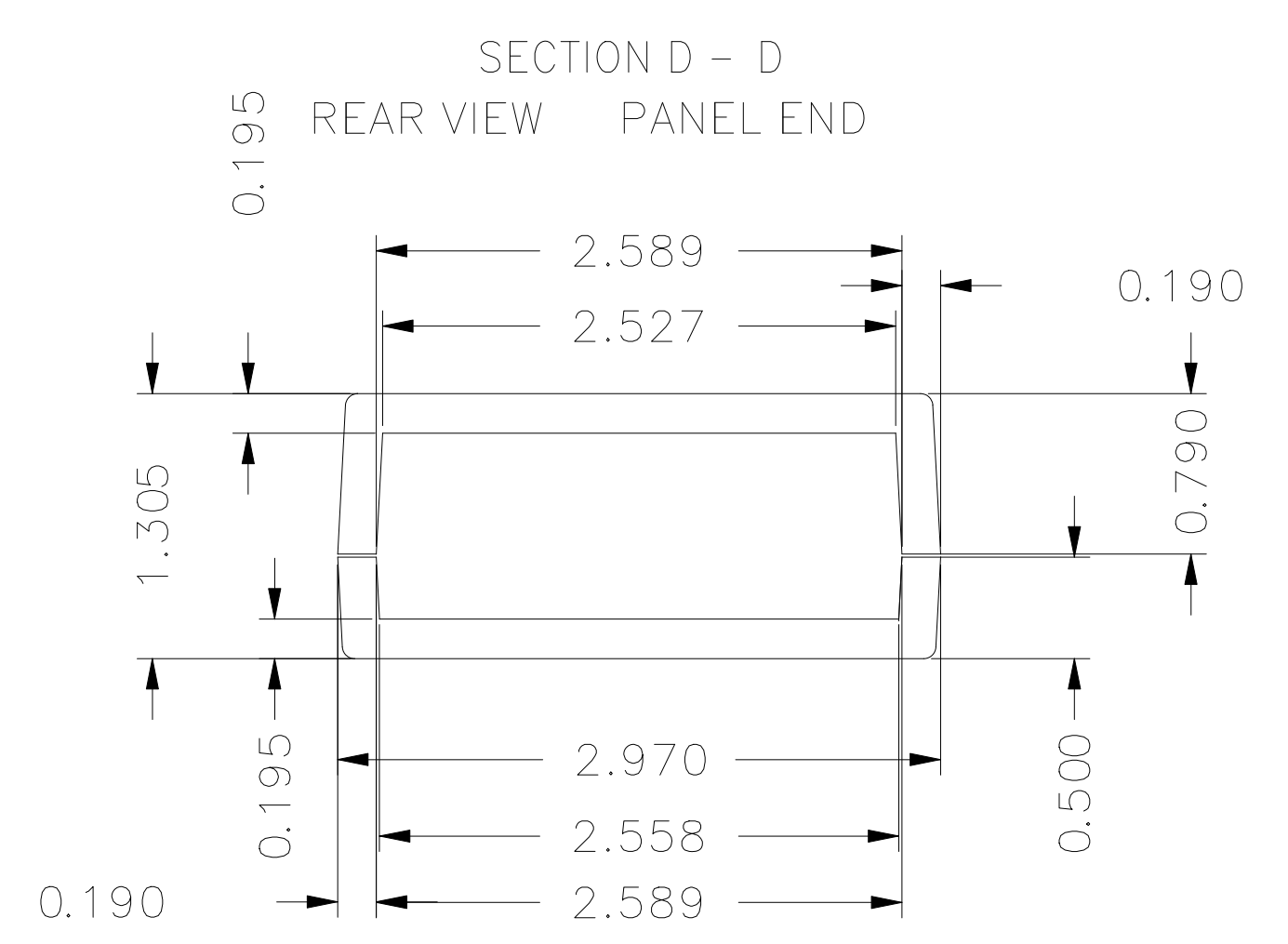
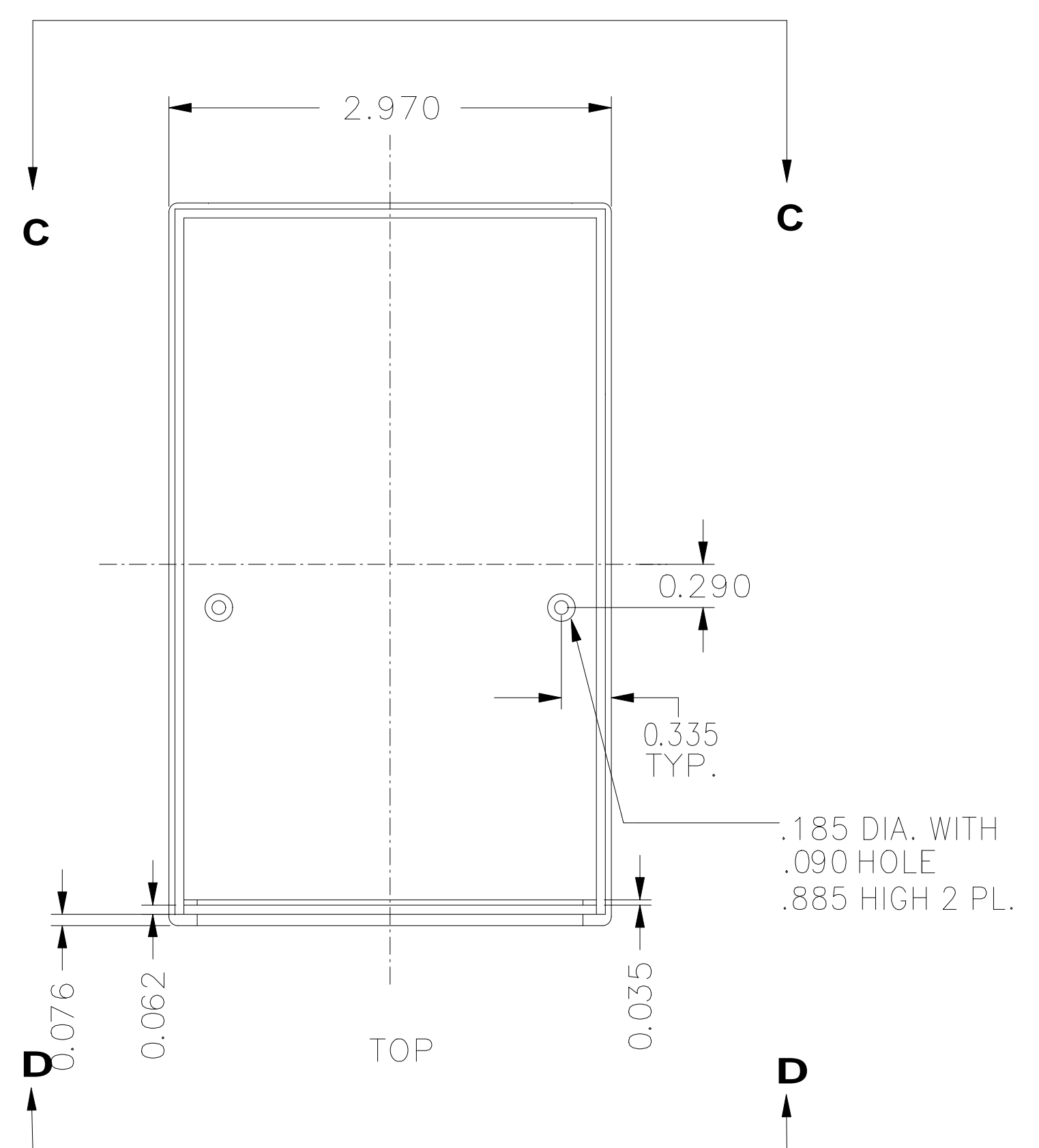
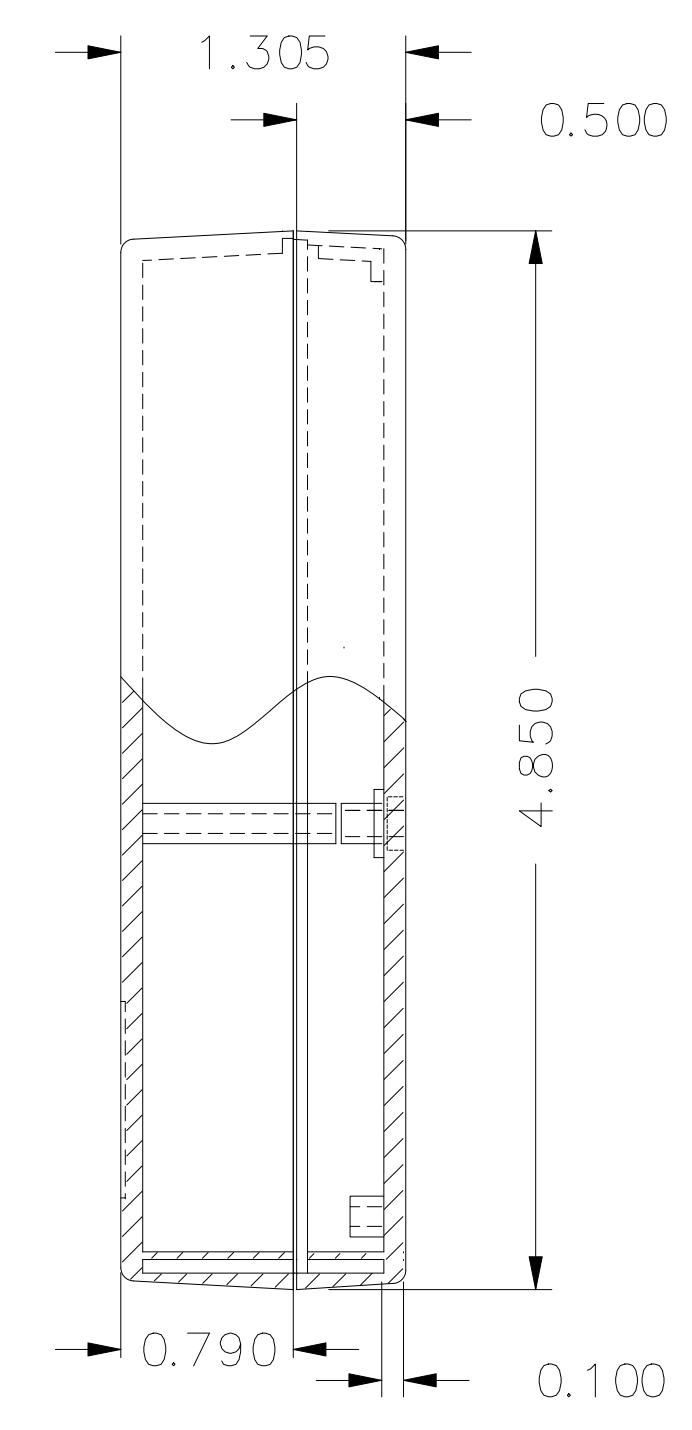
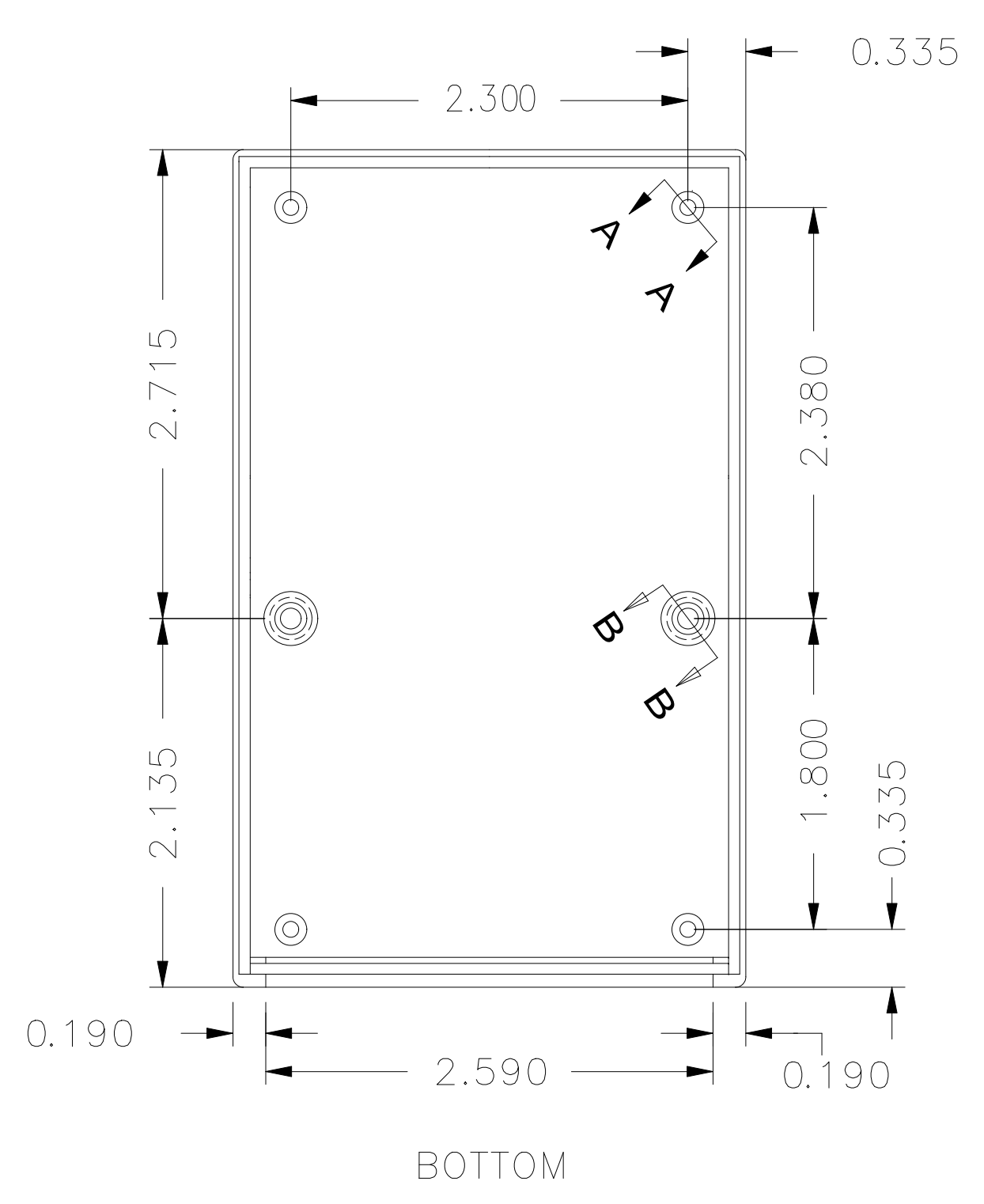
STANDARD INJECTION MOLDING COMPANY, INC.®



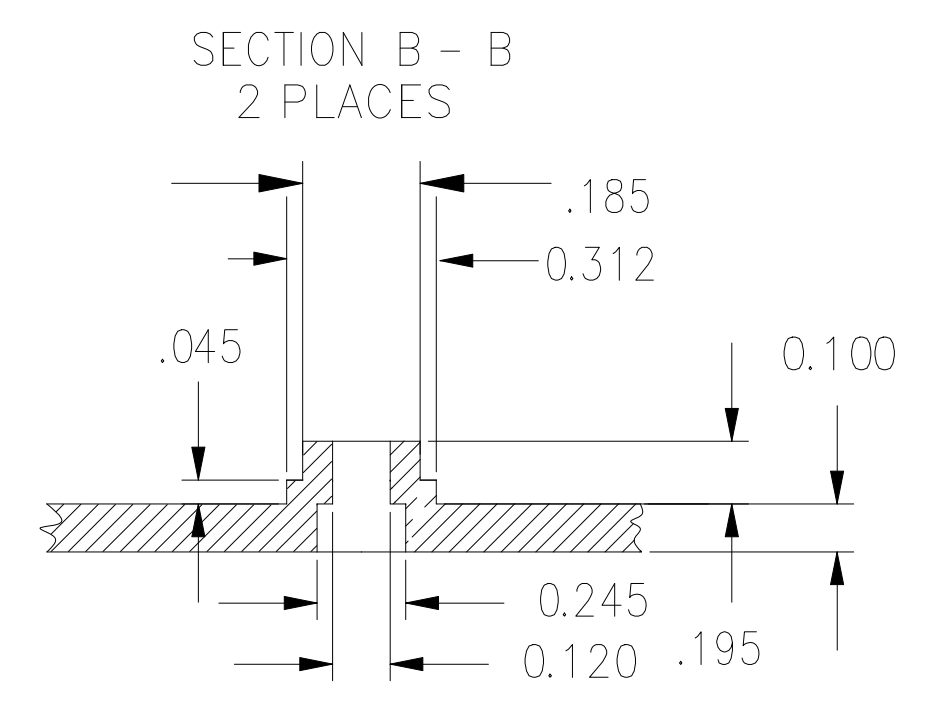
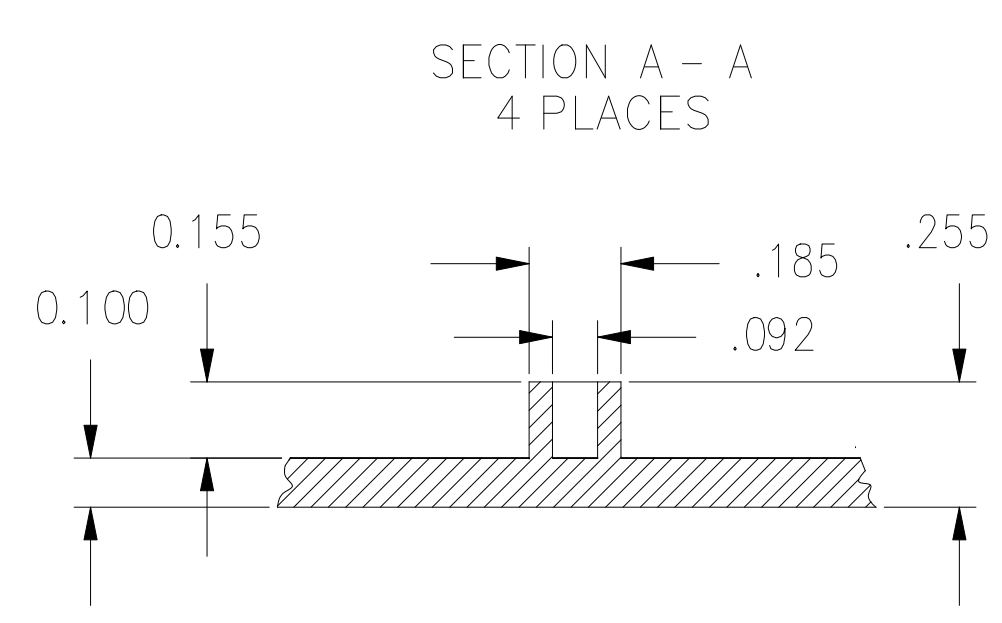
.125-.130 Dia. Hole
FOR MOUNTING CIRCUIT BOARD
(4) PLACES



.200 DIA. CLEARANCE HOLE
FOR ENCLOSURE ASSEMBLY
(2) PLACES



NOTES: TYP. WALL THICKNESS 0.100
ALL CORNERS HAVE A 0.060 RADIUS
ALL SIDES HAVE A 3 DEGREE DRAFT INCLUDING PANEL



| UNLESS OTHERWISE SPECIFIED DIMENSIONS ARE IN INCHES. | | | | INCLUDED HARDWARE | | | | SIMCO | |
|--|------|---------|------|-------------------|------|--|--------|--------------|--|
| TOLERANCES ARE ±.015 UNLESS OTHERWISE STATED | Qty. | SCREWS | Qty. | FEET | 35TB | | SIZE | DRAWING NO. | |
| ANGLES ±.5° | 2 | #4X9/16 | ---- | ---- | | | D | 35TB | |
| MATERIAL ABS | | | | | | | SCALE: | CAD FILE: | |
| FINISH Texture | | | | | | | | SHEET 1 OF 1 | |
| CAD GENERATED DRAWING DO NOT UPDATE MANUALLY | | | | | | | | | |