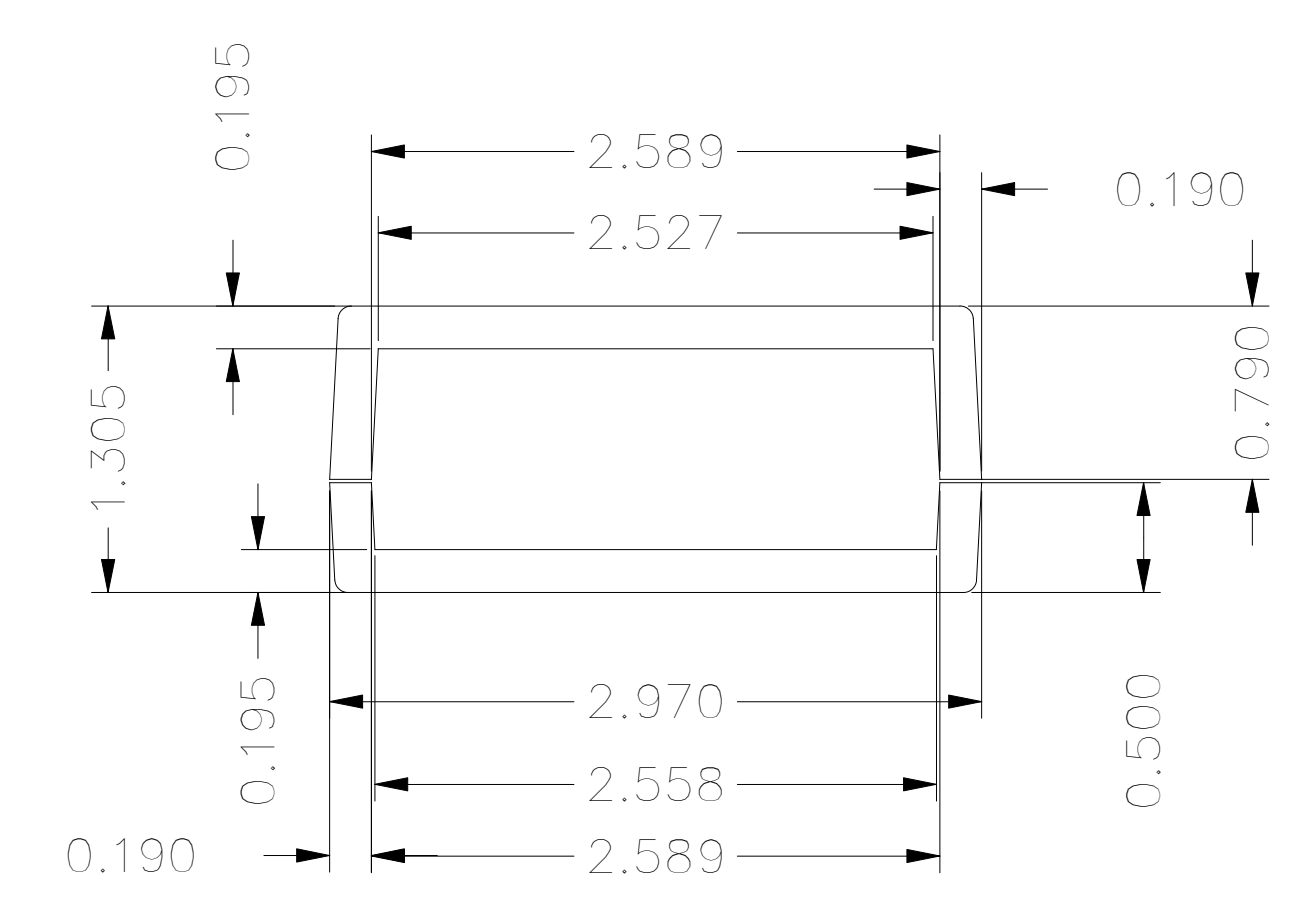
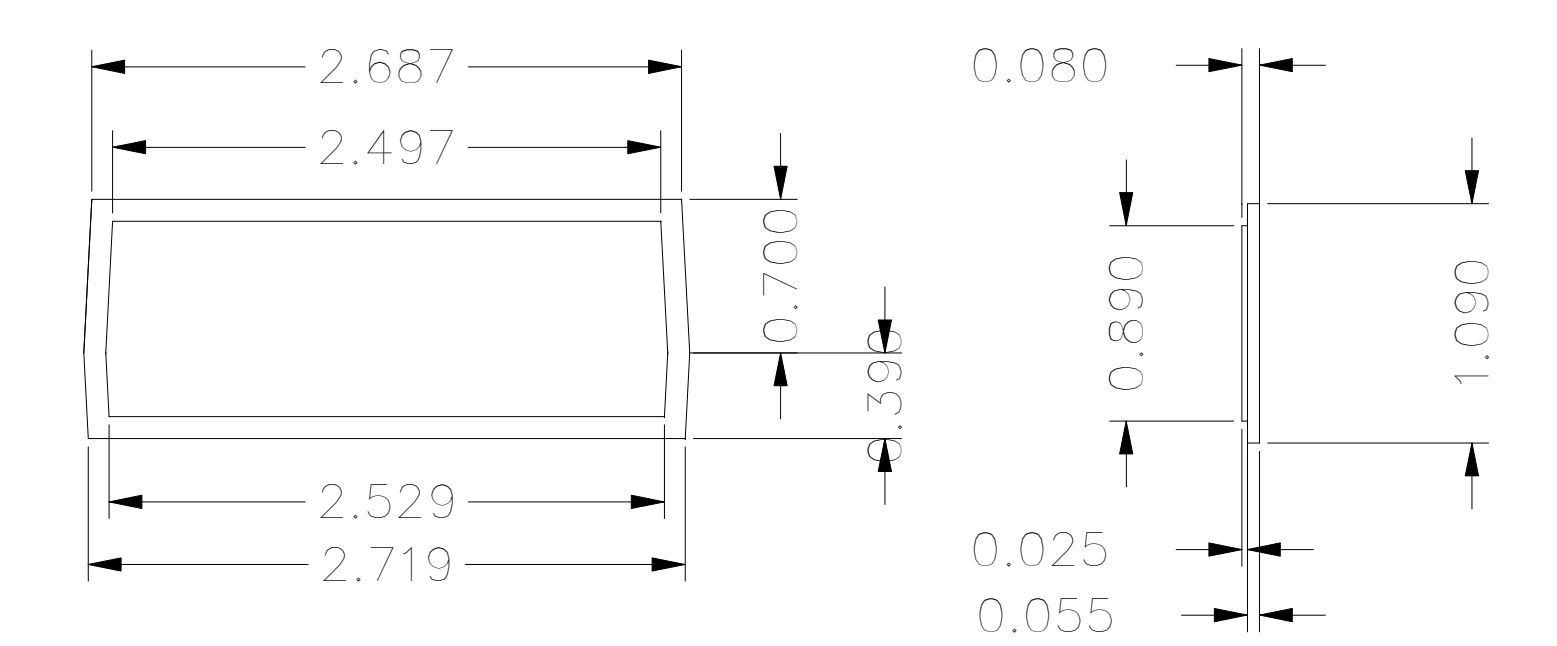
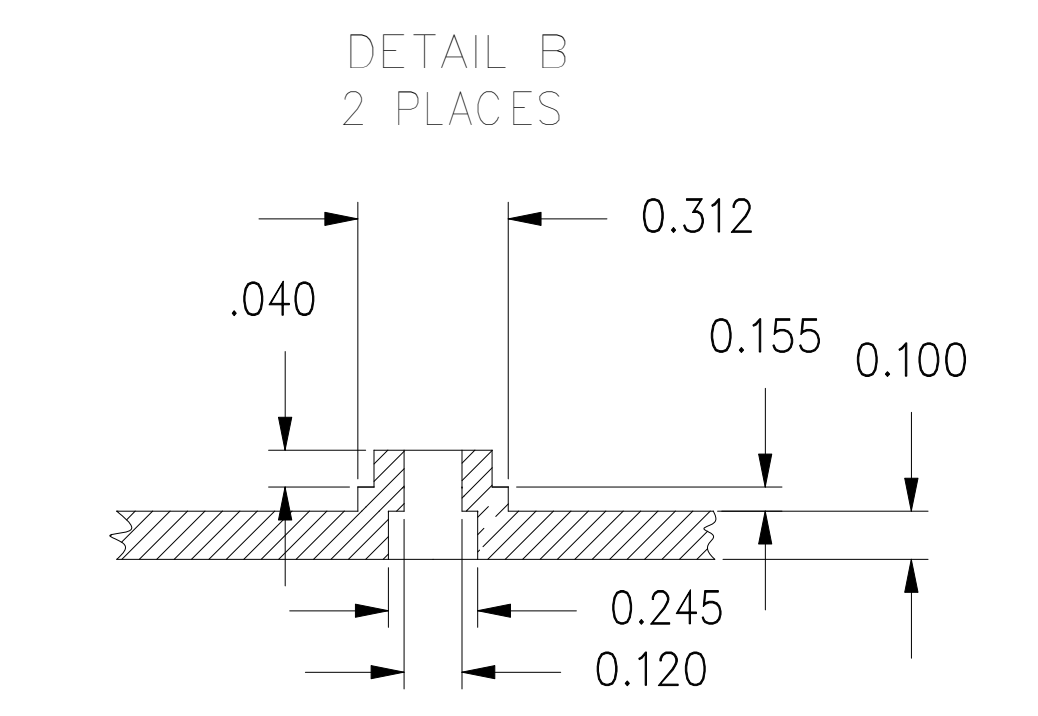
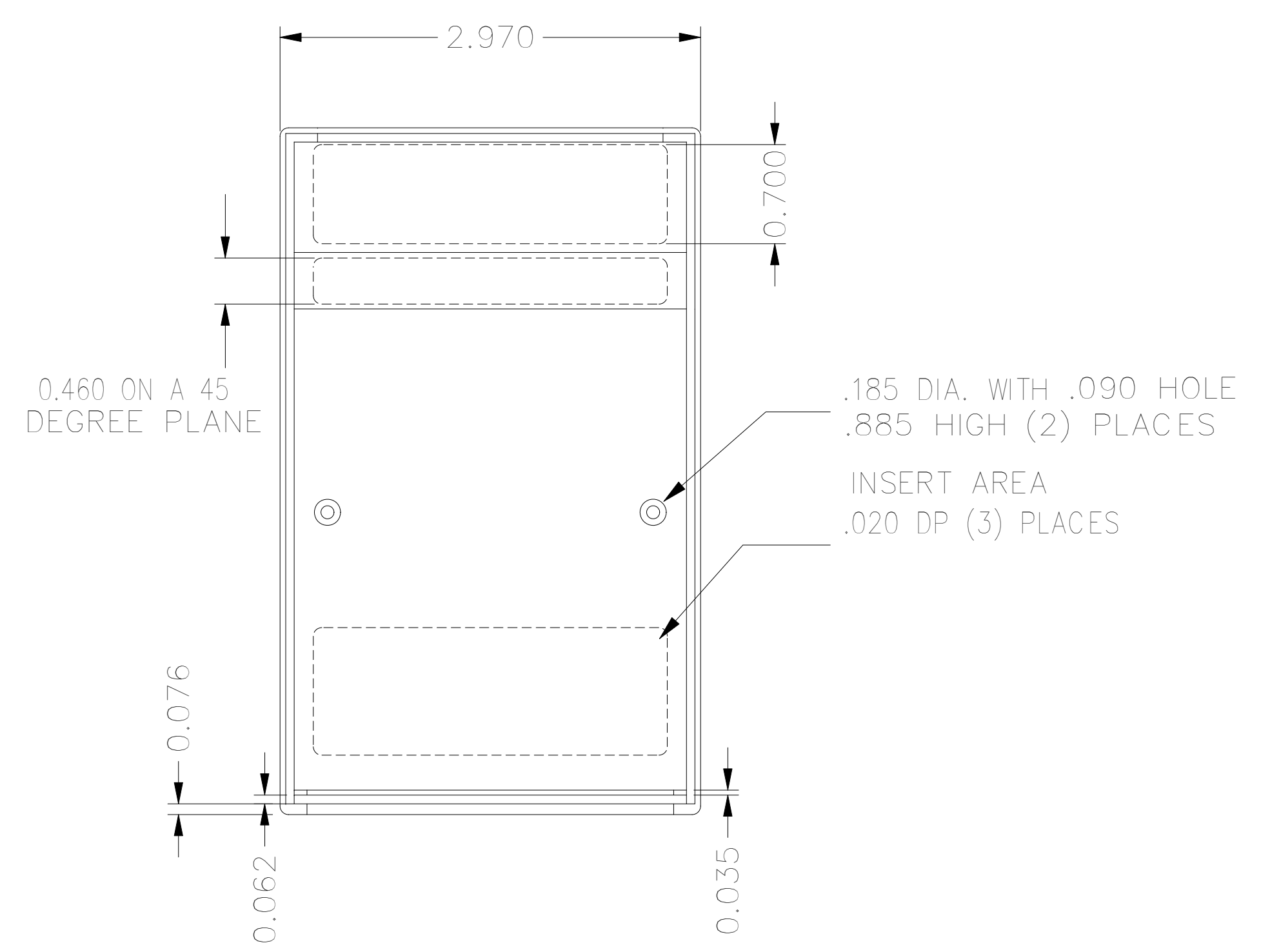
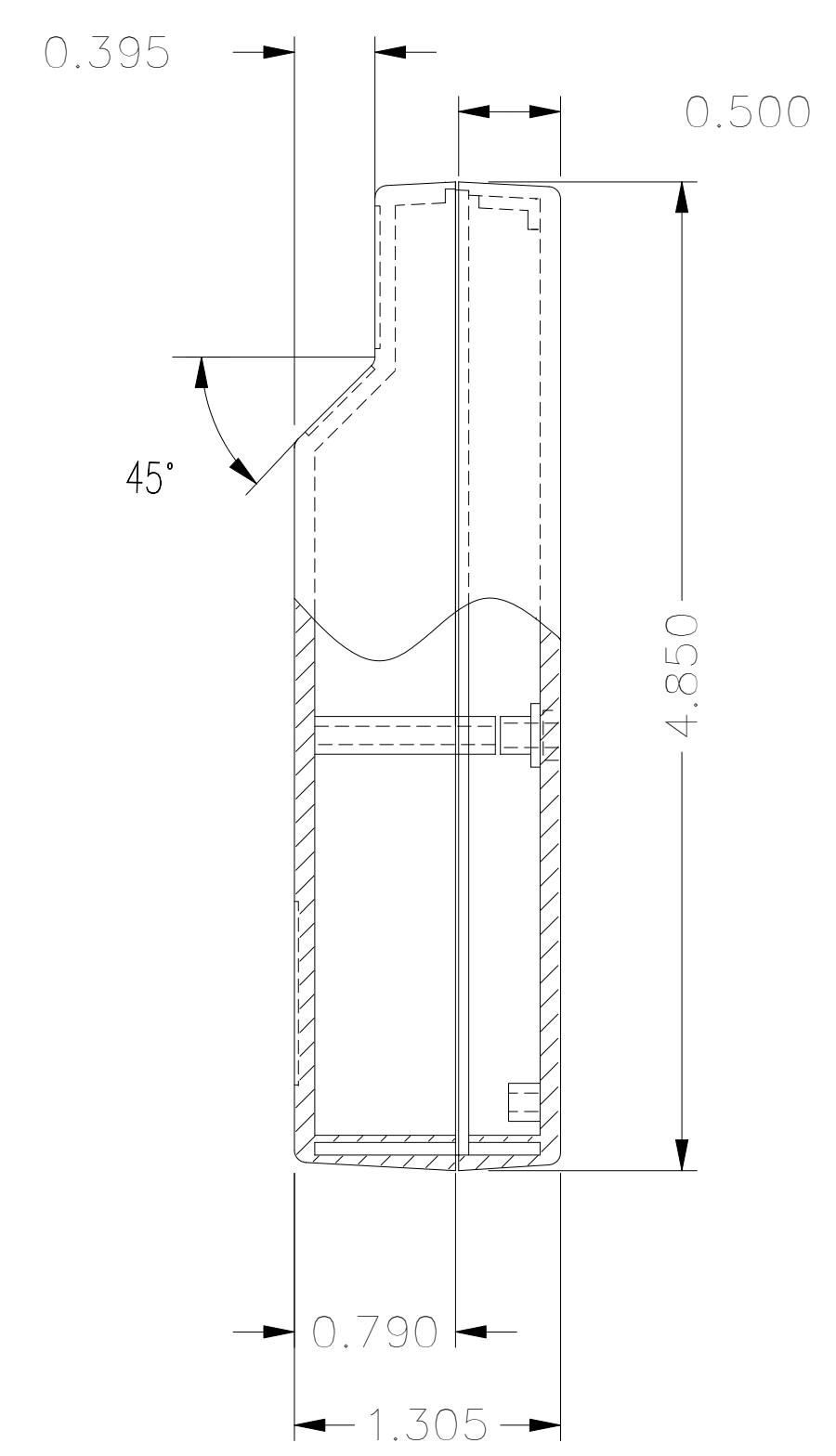
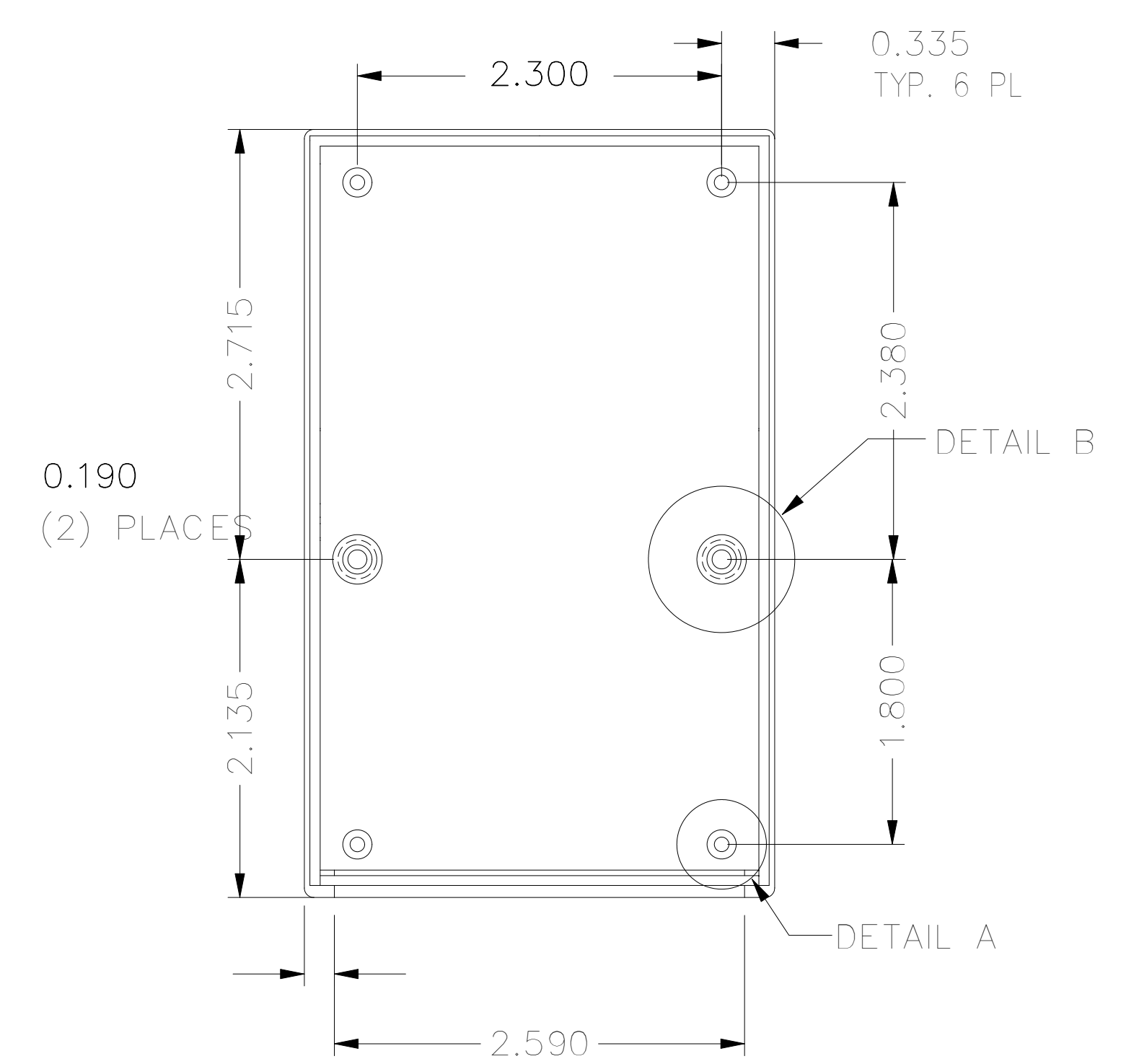
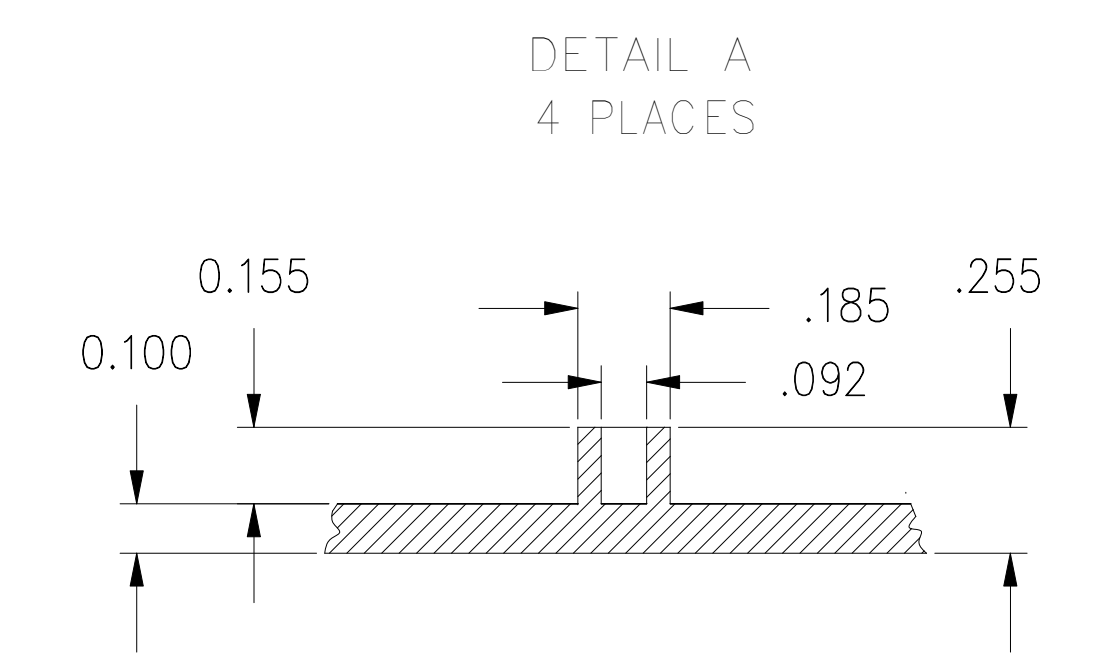
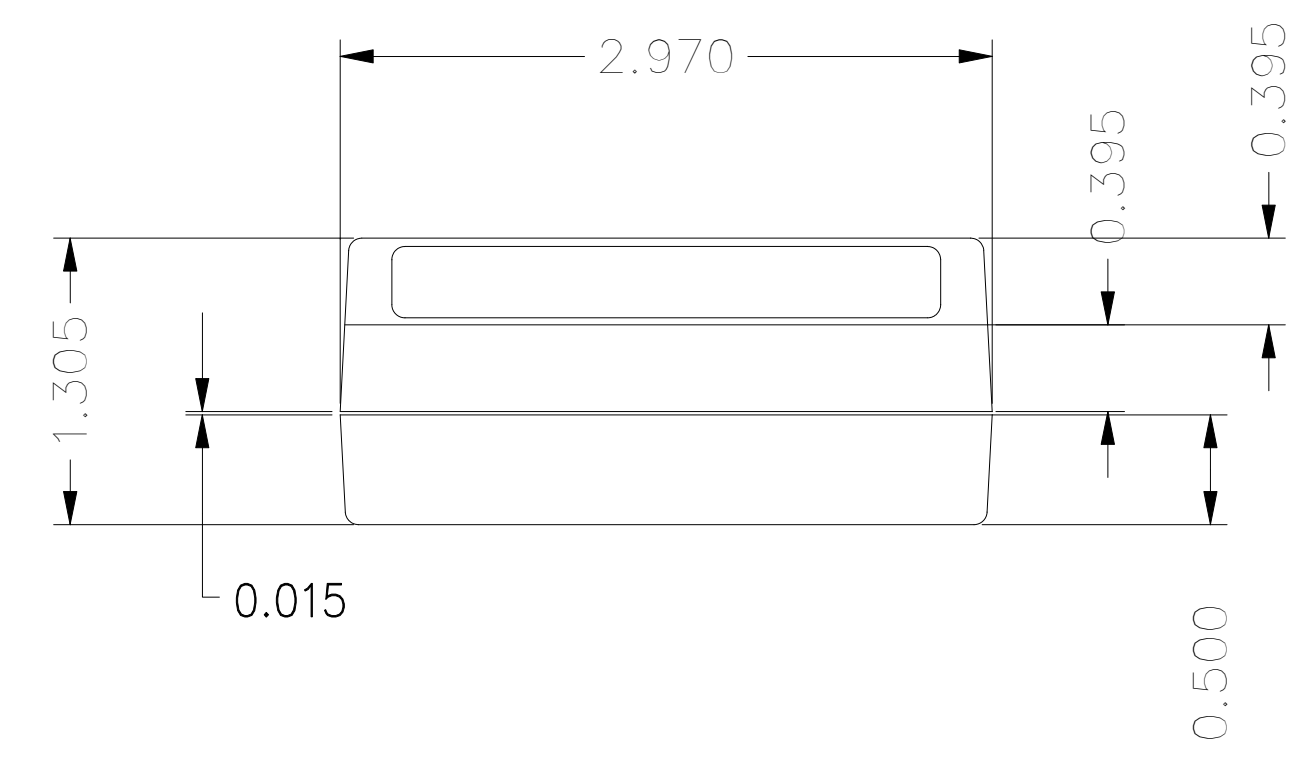


REVISIONS			
REV.	DESCRIPTION	DATE	APPROVED
A	PRODUCTION RELEASE	10/06/1999	
B	REDRAWN (NO CHANGES)	4/15/2002	



NOTES: TYP. WALL THICKNESS 0.100
 ALL CORNERS HAVE A 0.060 RADIUS
 ALL SIDES HAVE A 3 DEGREE DRAFT INCLUDING PANEL

POCKET SIZE SERIES			
UNLESS OTHERWISE SPECIFIED DIMENSIONS ARE IN INCHES.			
Qty.	SCREWS	Qty.	FEET
2	#4 x 5/8	--	--

TOLERANCES ARE ± .015 UNLESS OTHERWISE STATED

ANGLES ± .5°

MATERIAL: ABS

FINISH: Texture

CAD GENERATED DRAWING DO NOT UPDATE MANUALLY

SIMCO

35CB

SIZE DRAWING NO. ME35CBS1 REV. B

SCALE: CAD FILE: 35CB.DC SHEET OF 1