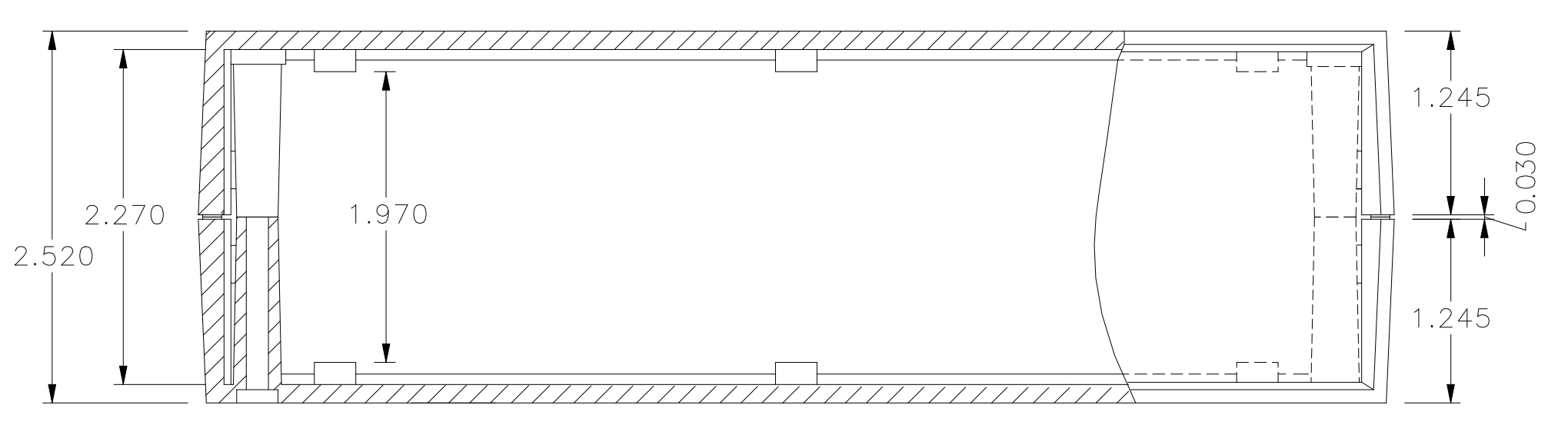
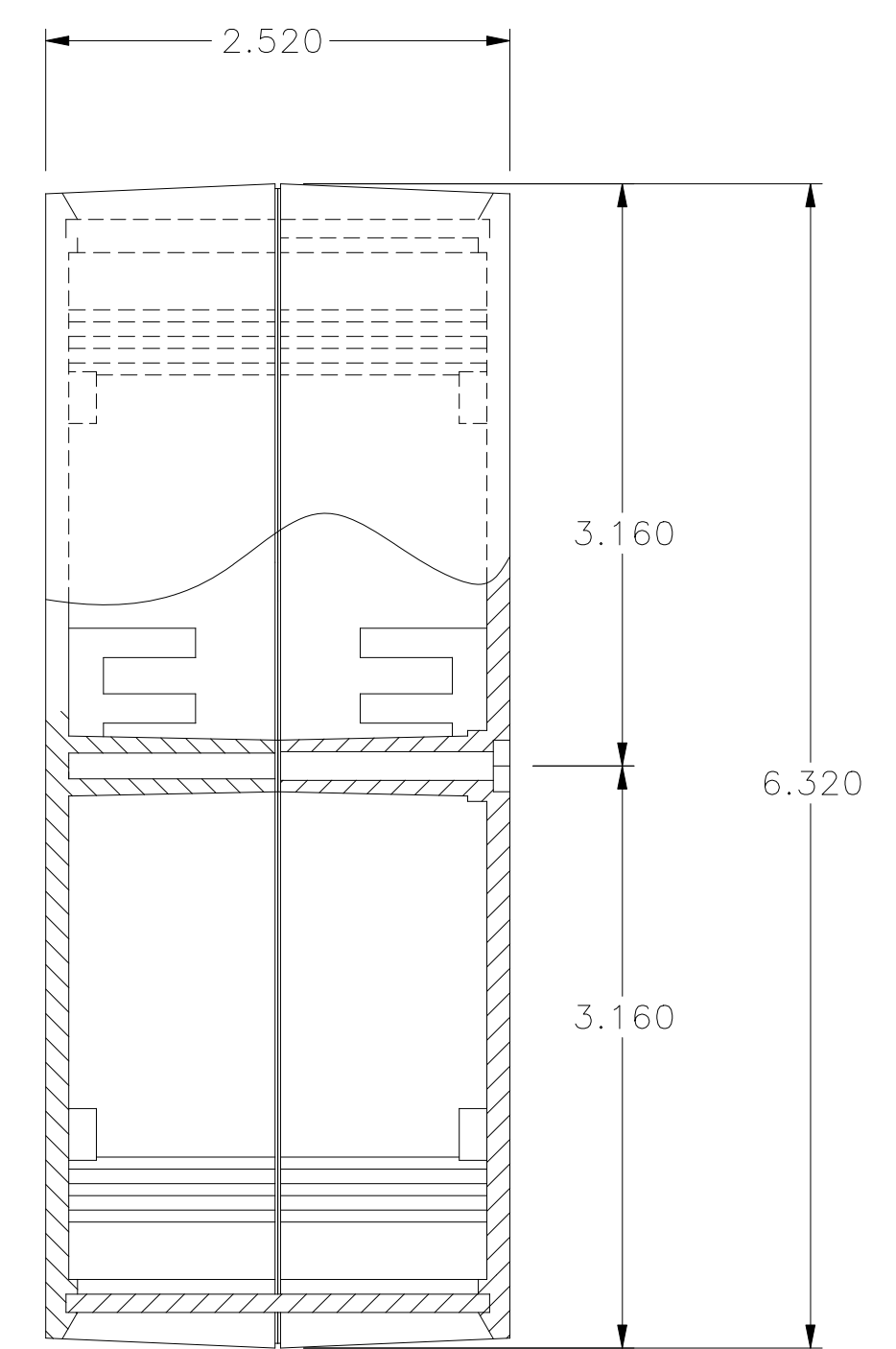
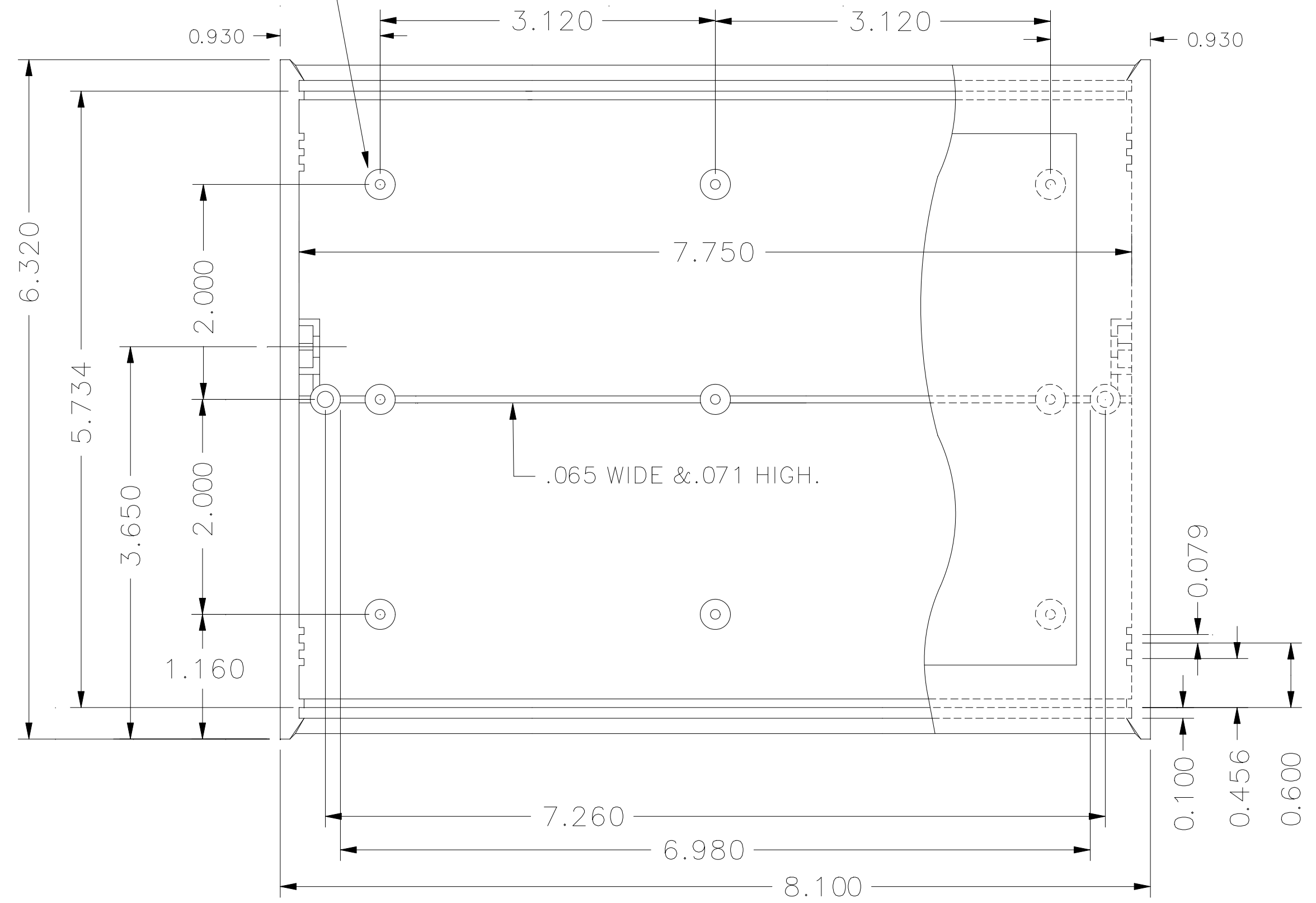


STANDARD INJECTION MOLDING COMPANY, INC.®

REVISIONS			
REV.	DESCRIPTION	DATE	APPROVED

0.281 DIA. BOSS
WITH 0.091 DIA. HOLE
(18) PLACES



UNLESS OTHERWISE SPECIFIED
DIMENSIONS ARE IN INCHES.
TOLERANCES ARE ± .015
UNLESS OTHERWISE STATED
ANGLES ± .5°
MATERIAL
ABS
FINISH
Texture
CAD GENERATED DRAWING
DO NOT UPDATE MANUALLY

INCLUDED HARDWARE	
Qty.	SCREWS Qty. FEET

SIMCO

250X86

SIZE DRAWING NO.
 D
 SCALE: CAD FILE: SHEET OF

REV.

