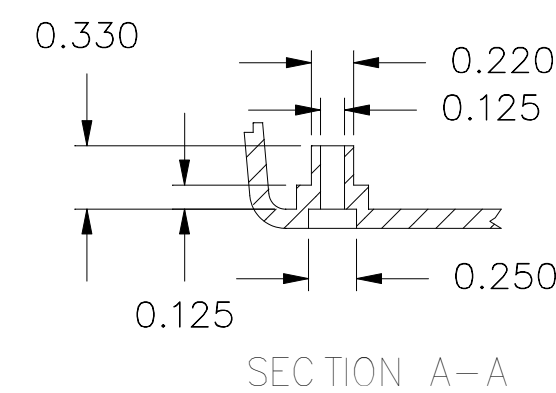
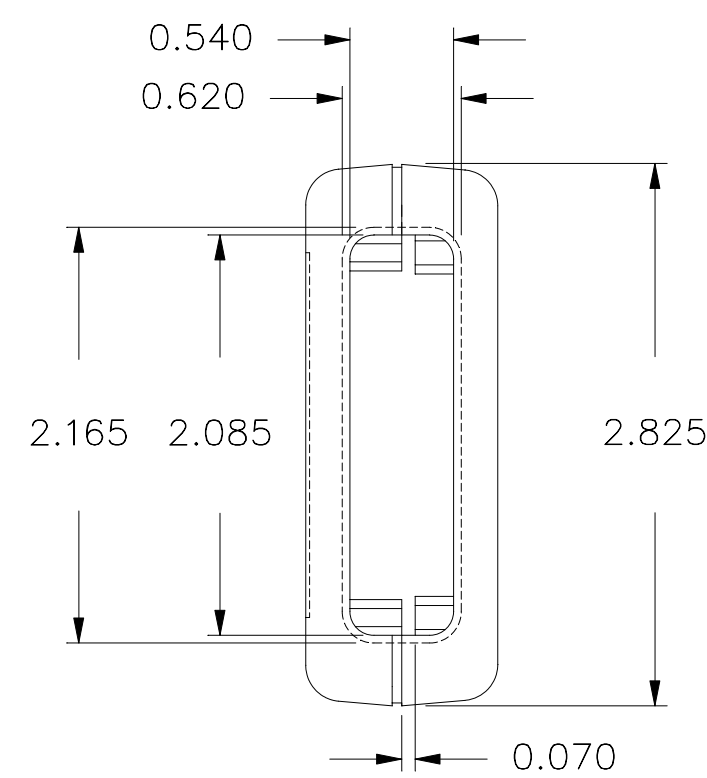
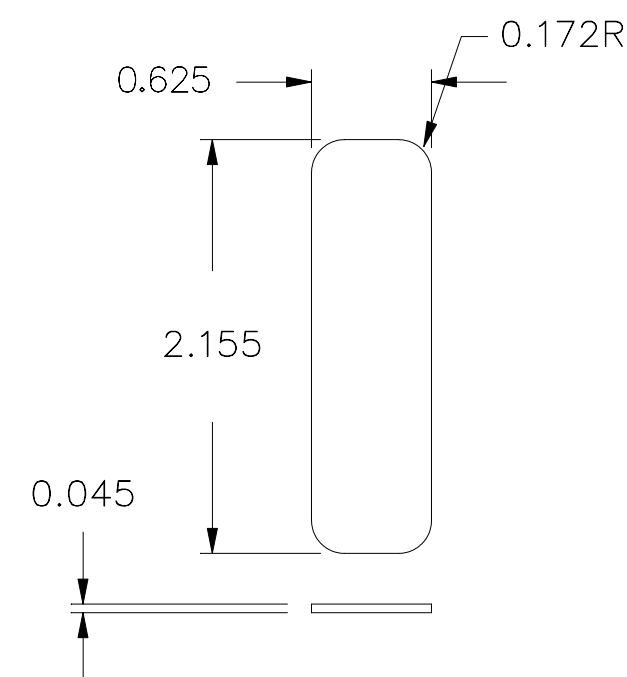
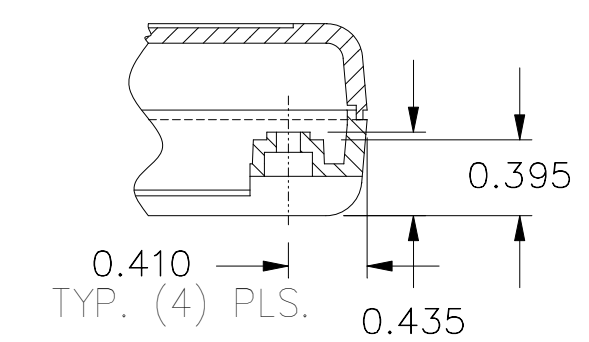
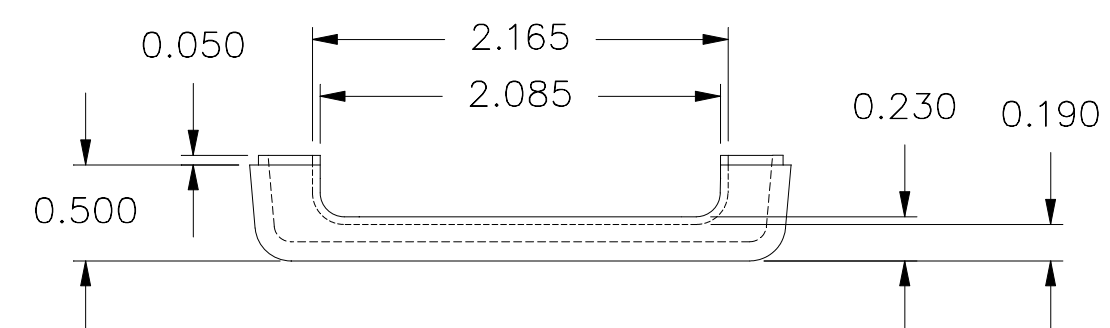
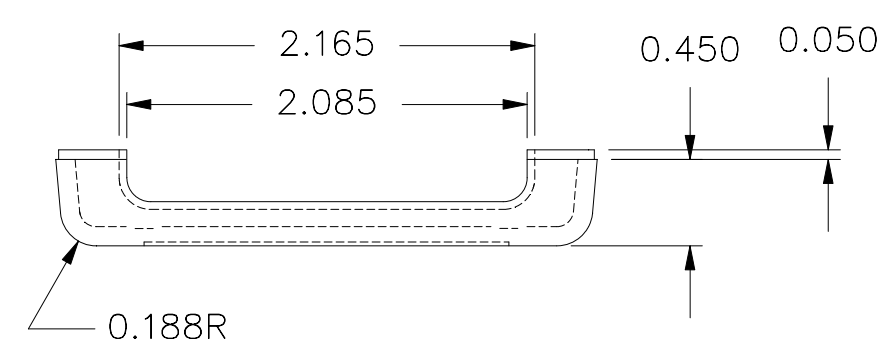
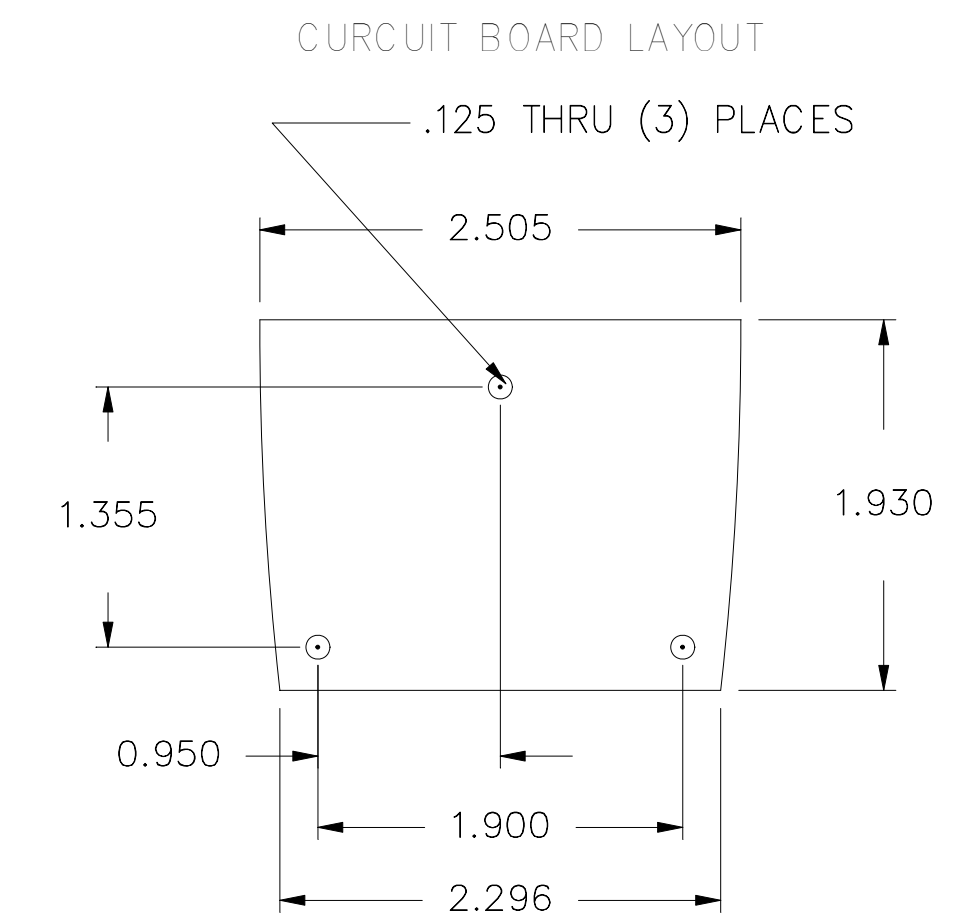
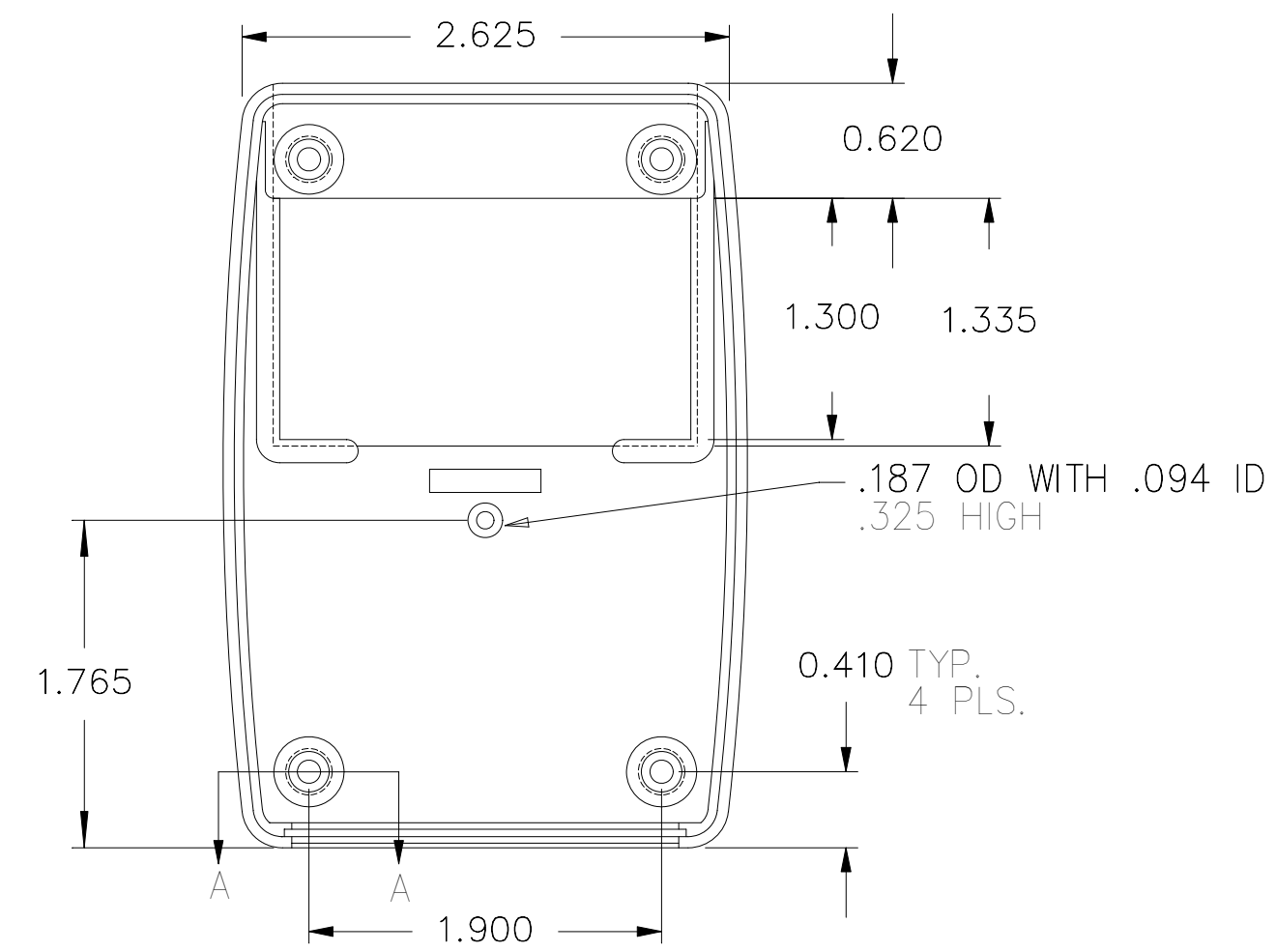
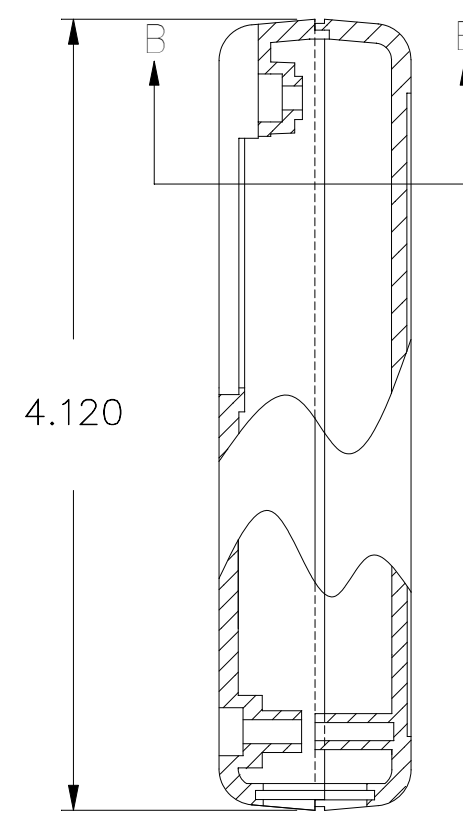
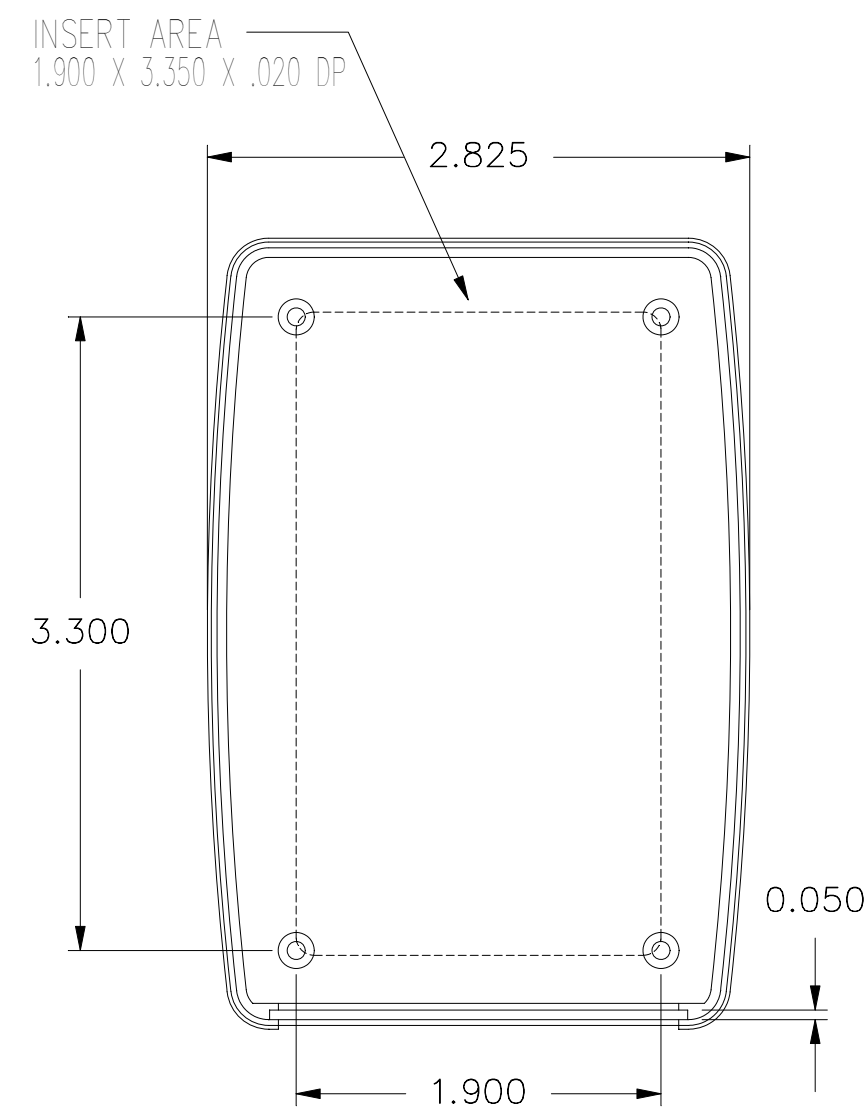
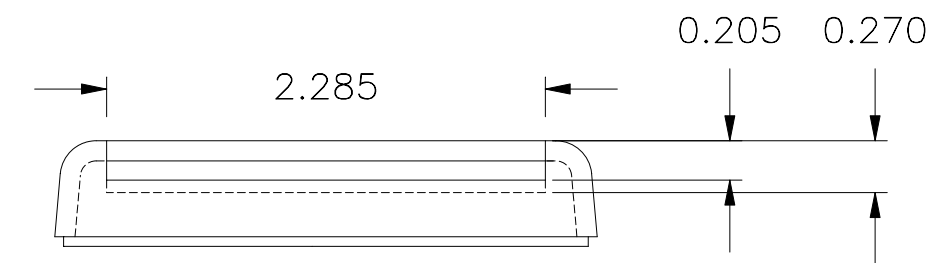
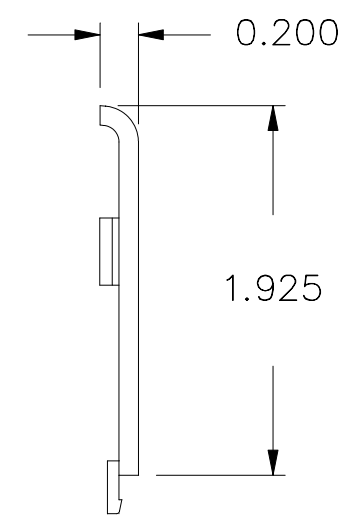
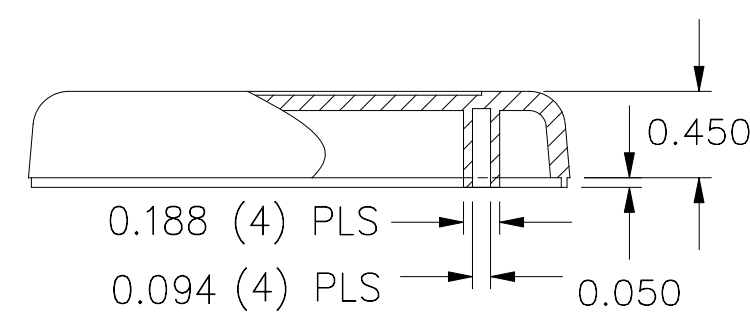


REVISIONS			
REV.	DESCRIPTION	DATE	APPROVED
A	PRODUCT RELEASE	6/30/01	

NOTES:
 TYP. WALL THICKNESS .100
 5° DRAFT ON ALL SIDES
 .187 TYP. RADIUS ON ALL SIDES



POCKET SIZE SERIES

UNLESS OTHERWISE SPECIFIED DIMENSIONS ARE IN INCHES.

TOLERANCES ARE ±.015 UNLESS OTHERWISE STATED

ANGLES ±.5°

MATERIAL ABS

FINISH Texture

CAD GENERATED DRAWING DO NOT UPDATE MANUALLY

INCLUDED HARDWARE			
Qty.	SCREWS	Qty.	FEET
4	#4 x 9/16	--	--



24TBA/P

SIZE DRAWING NO. ME24TBA/PS REV. A
 SCALE: CAD FILE: 24TBA PANEL.DC SHEET 1 OF 1