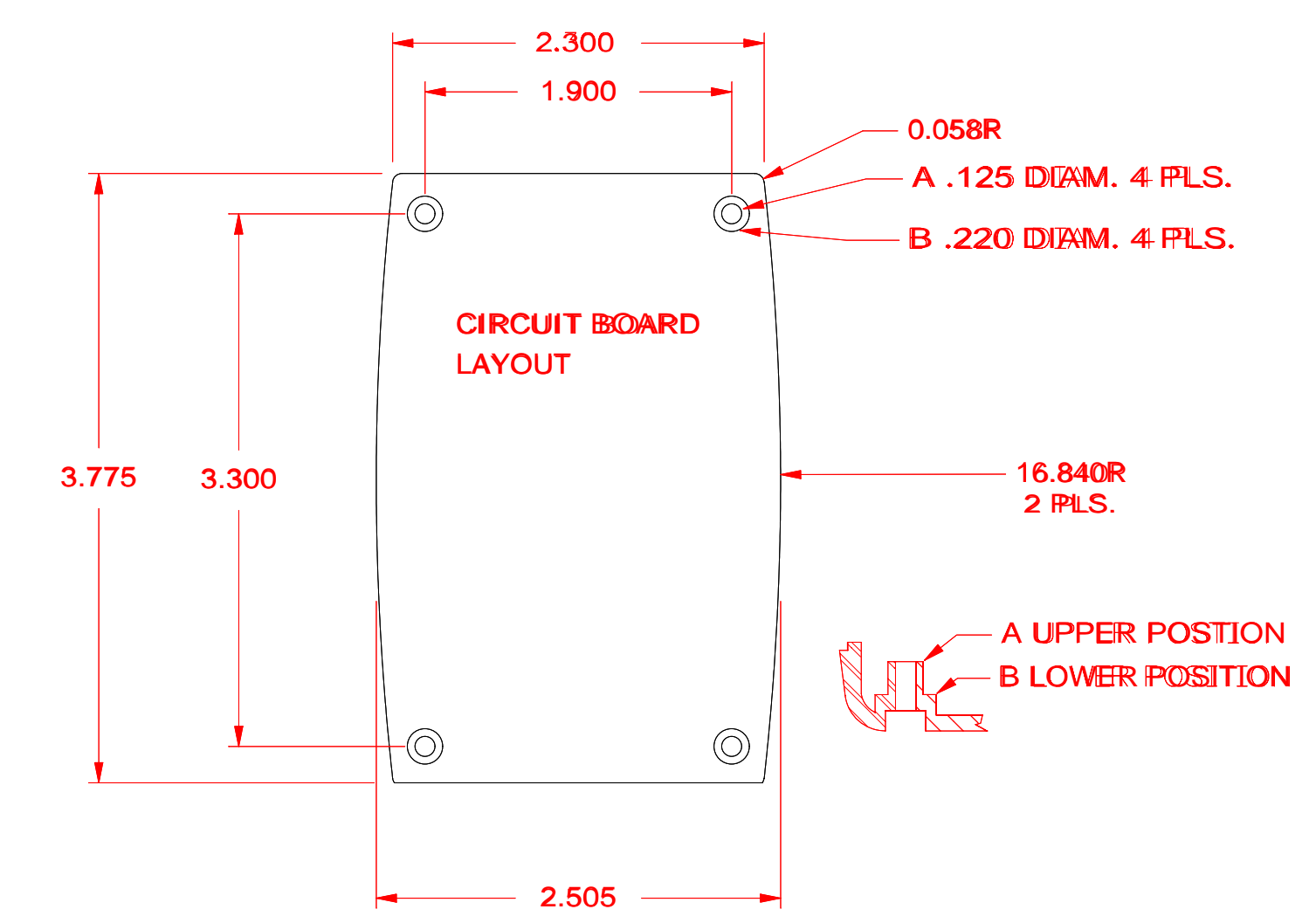
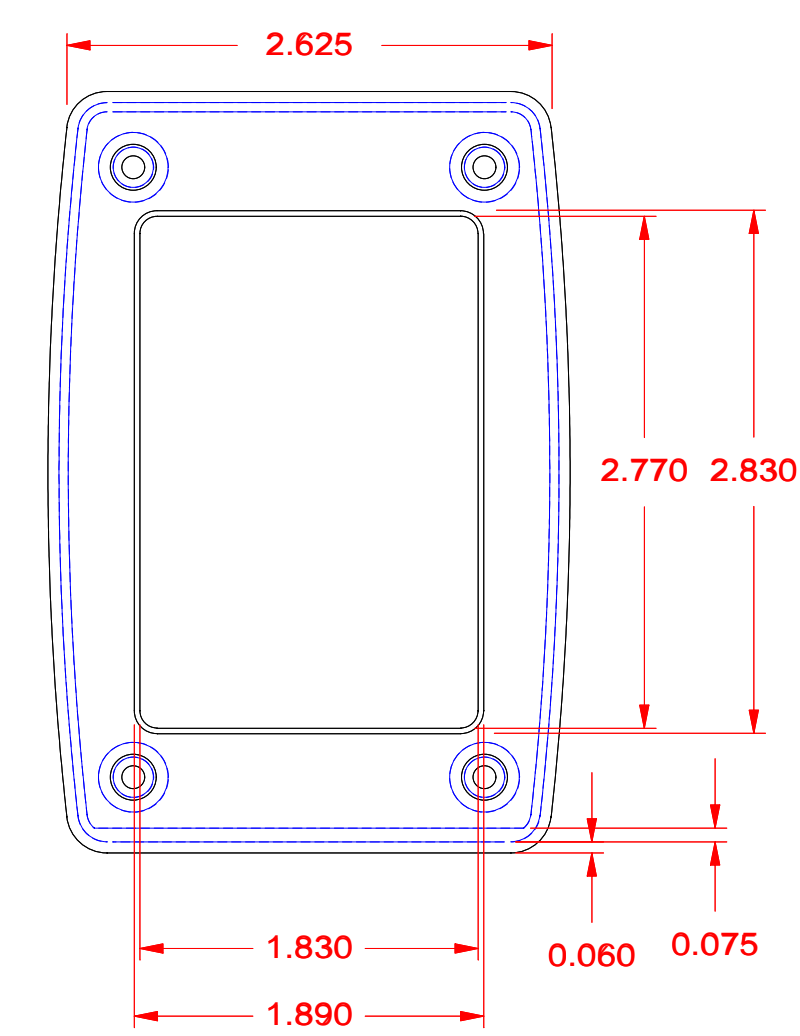
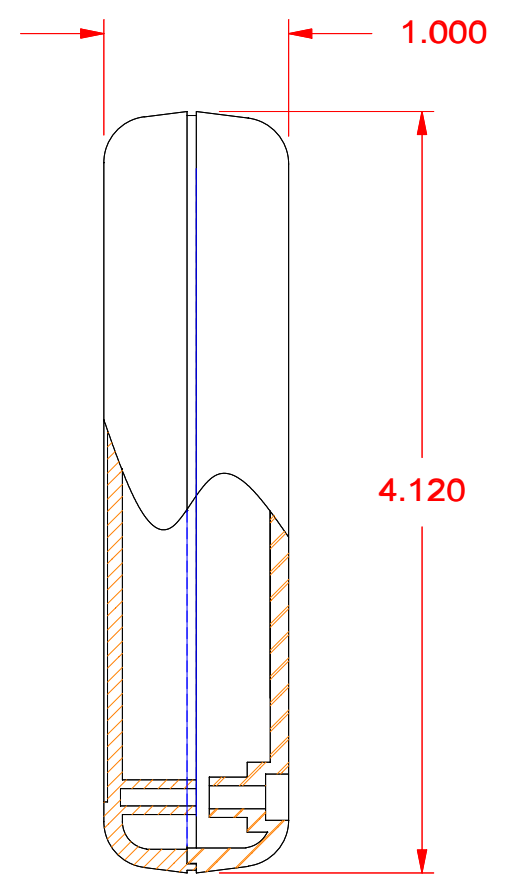
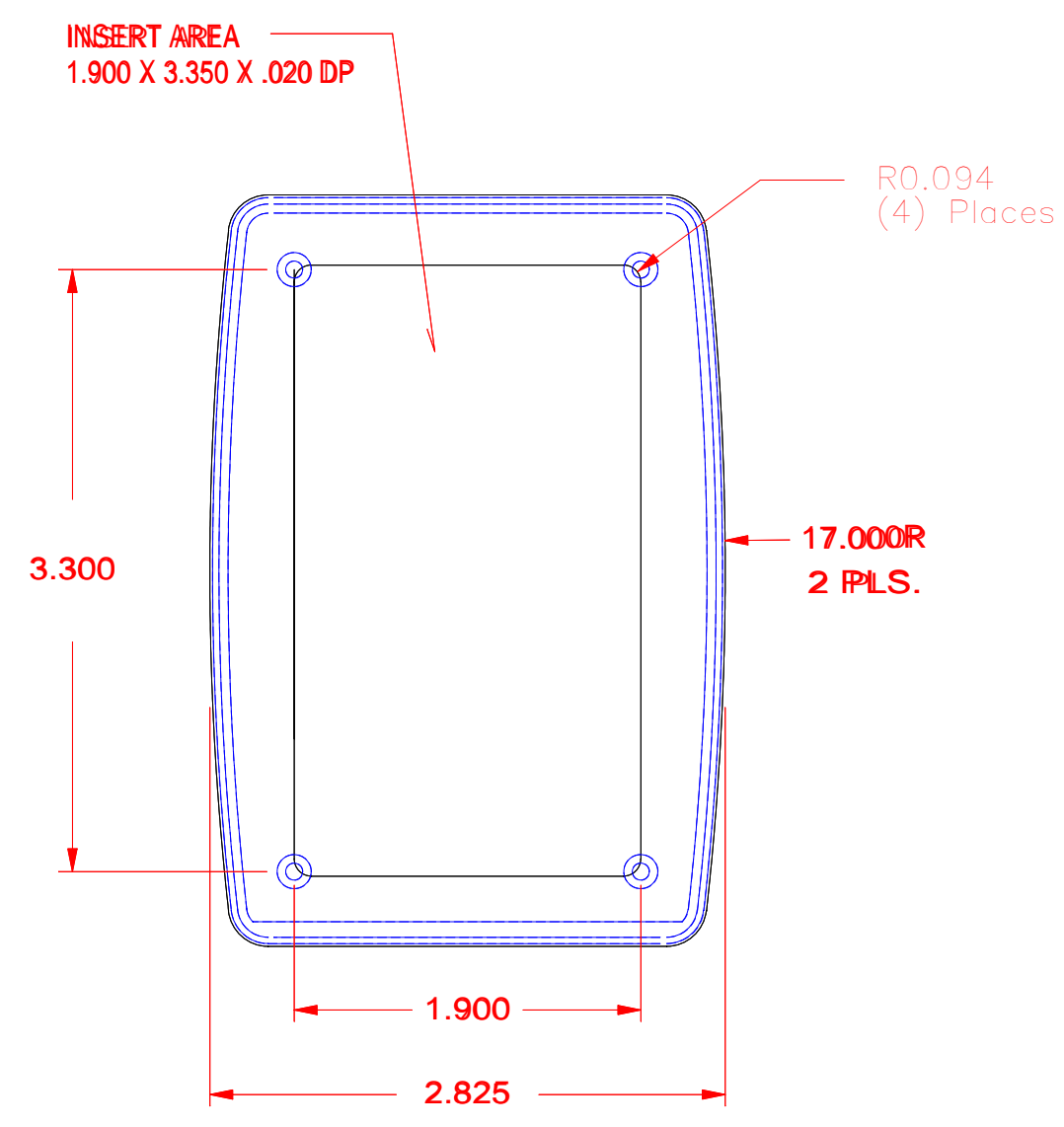
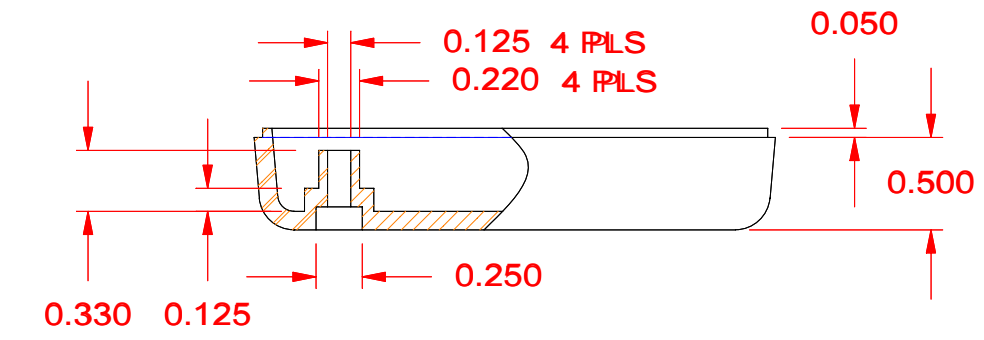
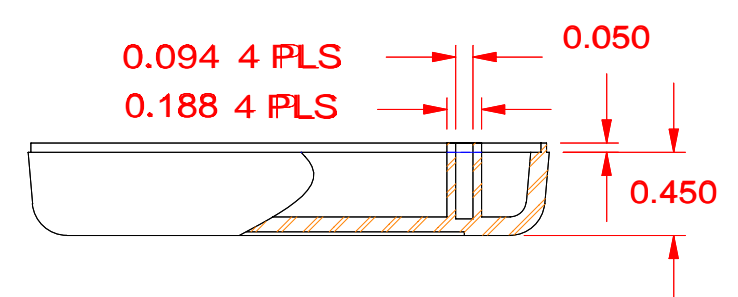


REVISIONS			
REV.	DESCRIPTION	DATE	APPROVED
A	PRODUCT RELEASE	6-30-01	

NOTES:
 5° DRAFT ON ALL SIDES
 TYP. WALL THICKNESS .100
 .1875 TYP. RADIUS ON TOP AND BOTTOM



POCKET SIZE SERIES			
UNLESS OTHERWISE SPECIFIED DIMENSIONS ARE IN INCHES.		INCLUDED HARDWARE	
TOLERANCES ARE ± .015 UNLESS OTHERWISE STATED	Qty.	SCREWS	Qty. FEET
ANGLES ± .5°	4	#4 x 9/16	--
MATERIAL ABS			
FINISH Texture			
CAD GENERATED DRAWING DO NOT UPDATE MANUALLY			

SIMCO
24TB

SIZE DRAWING NO.	REV.
D ME24TBS	A
SCALE: 1:1	CAD FILE: 24TB.DC
	SHEET 1 OF 1