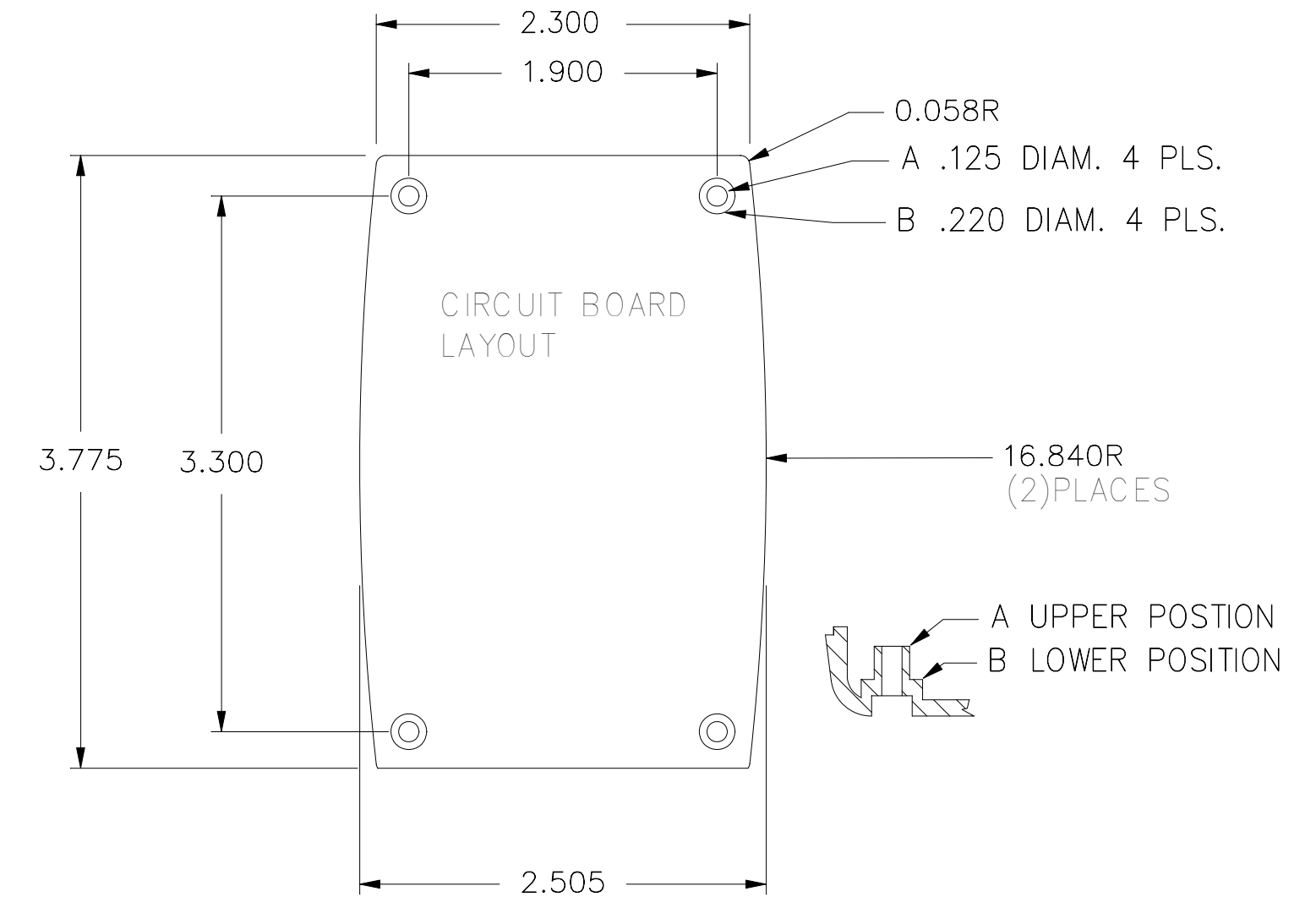
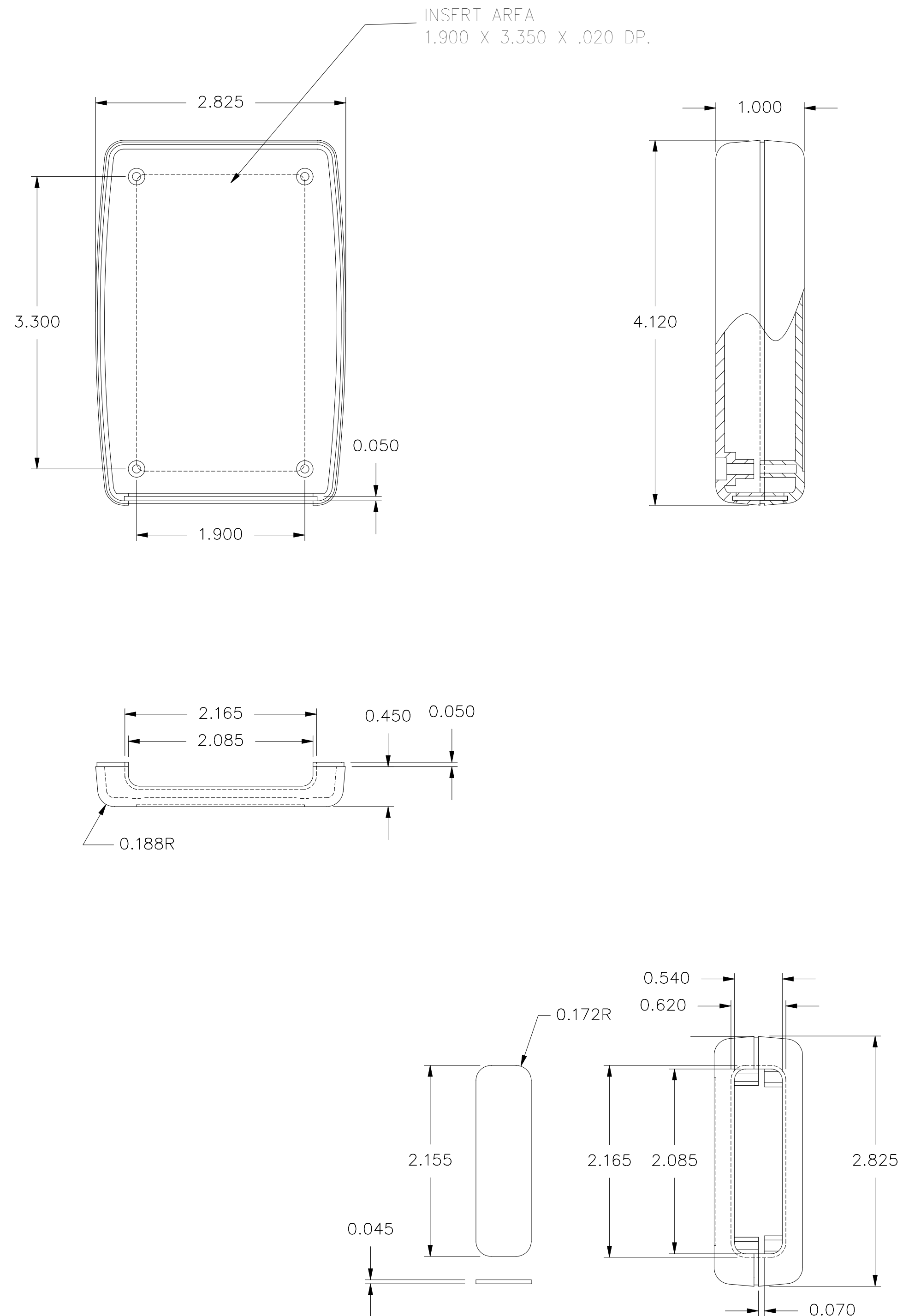


REVISIONS			
REV.	DESCRIPTION	DATE	APPROVED
A	PRODUCT RELEASE	6/30/01	

NOTES:
 TYP. WALL THICKNESS .100
 5° DRAFT ON ALL SIDES
 .187 TYP. RADIUS ON ALL SIDES



POCKET SIZE SERIES				SIMCO	
UNLESS OTHERWISE SPECIFIED DIMENSIONS ARE IN INCHES.				24TB/P	
Qty.	SCREWS	Qty.	FEET	SIZE	REV.
4	#4 x 9/16	--	--	D	A
MATERIAL: ABS				DRAWING NO. ME24TB/PS	
FINISH: Texture				SCALE: 1:1 CAD FILE: 24TB PANEL.DC SHEET 1 OF 1	
CAD GENERATED DRAWING DO NOT UPDATE MANUALLY					