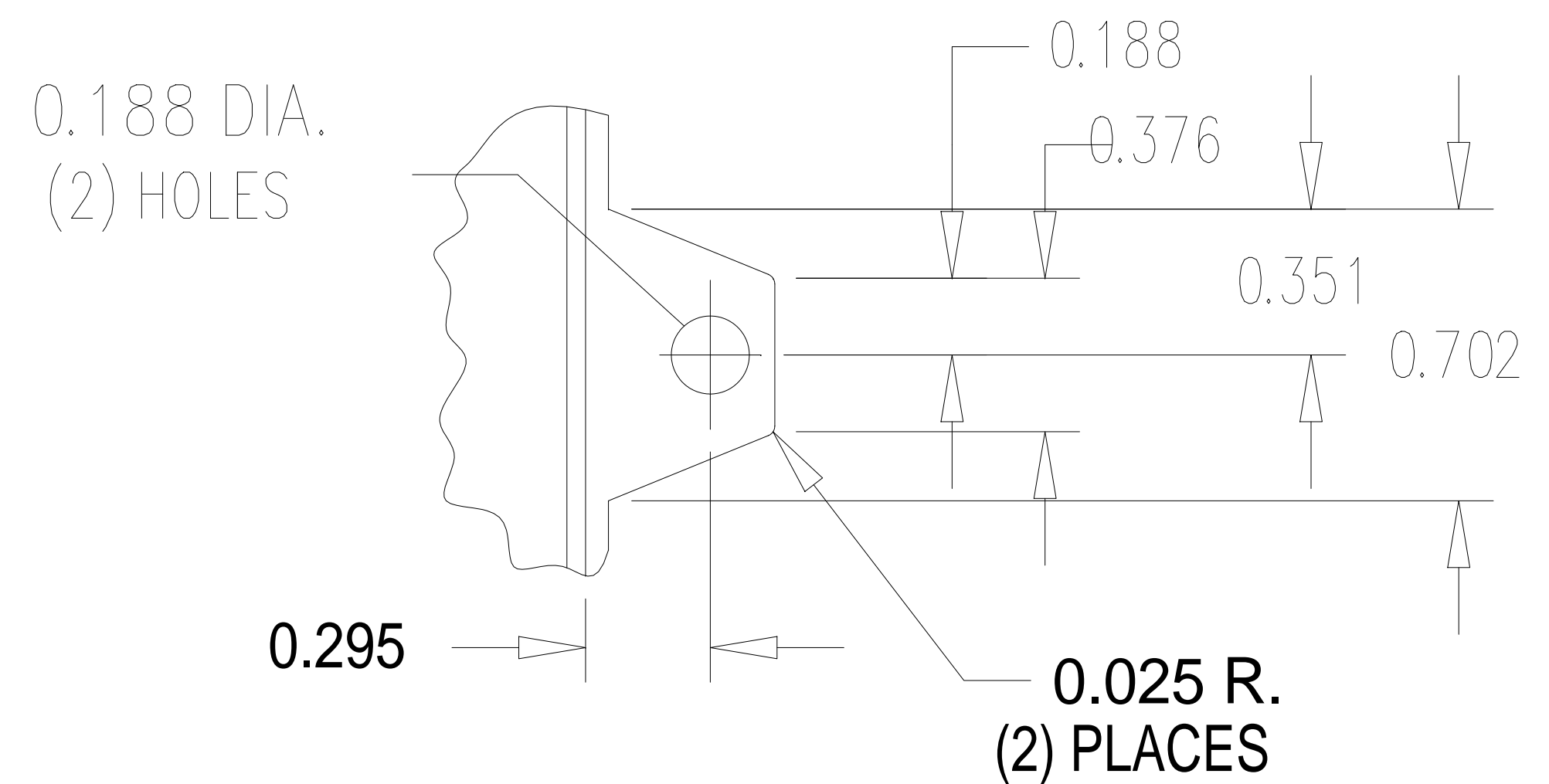
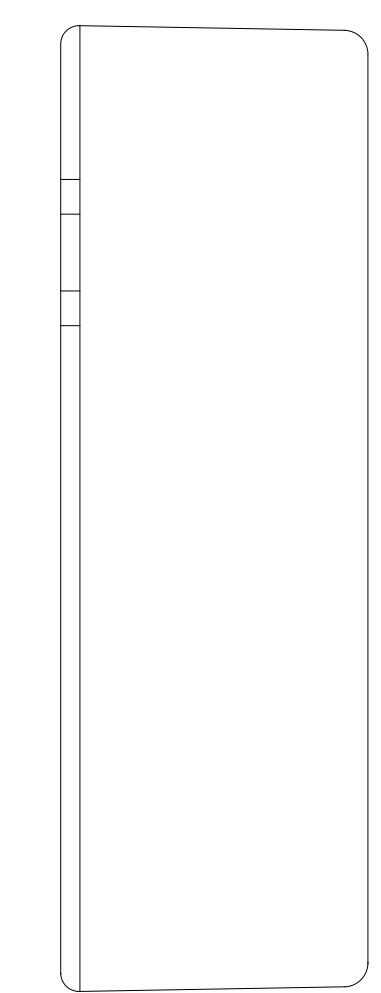
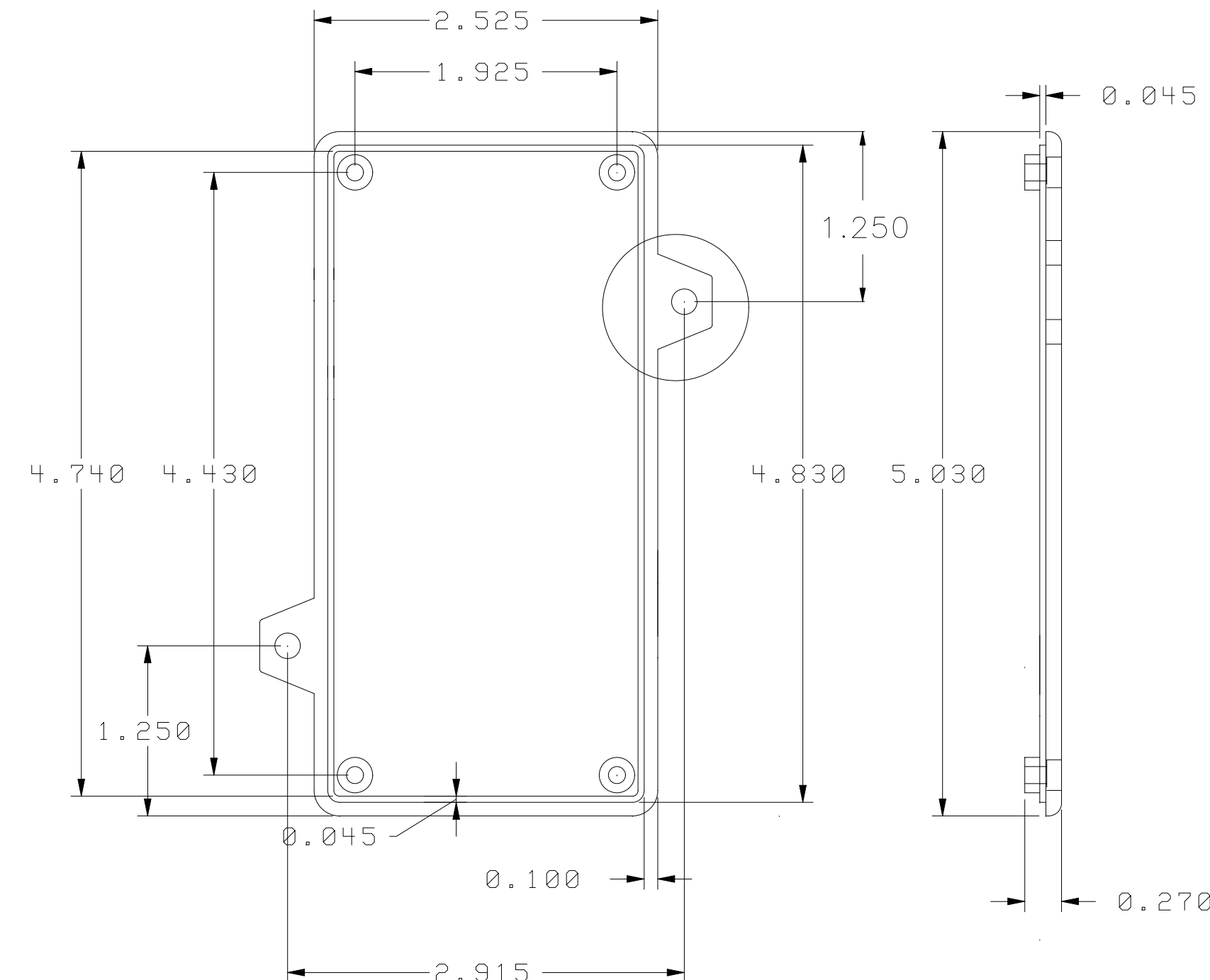
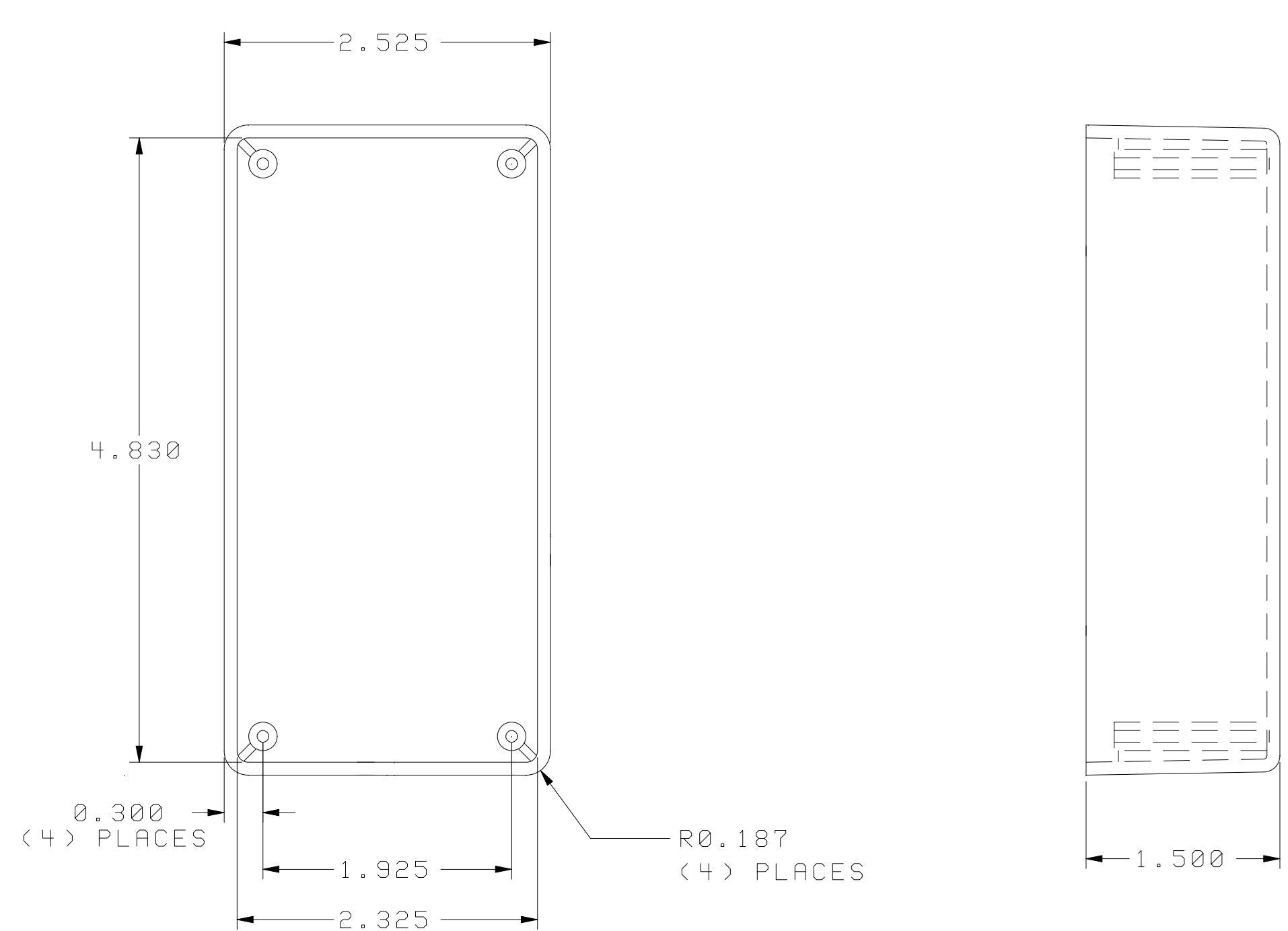


STANDARD INJECTION MOLDING COMPANY, INC.®

REVISIONS			
REV.	DESCRIPTION	DATE	APPROVED



UNLESS OTHERWISE SPECIFIED
DIMENSIONS ARE IN INCHES.
TOLERANCES ARE ± .015
UNLESS OTHERWISE STATED
ANGLES ± .5°
MATERIAL
ABS
FINISH
Texture
CAD GENERATED DRAWING
DO NOT UPDATE MANUALLY

INCLUDED HARDWARE	
Qty.	SCREWS Qty. FEET

SIMCO
160X25/M

SIZE DRAWING NO. REV.
D
SCALE: CAD FILE: SHEET OF

