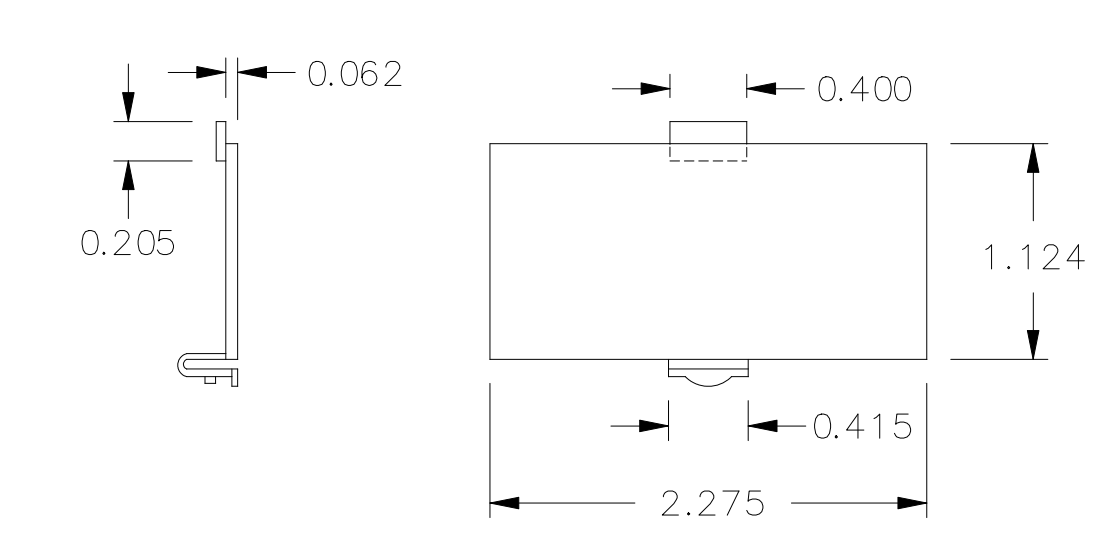
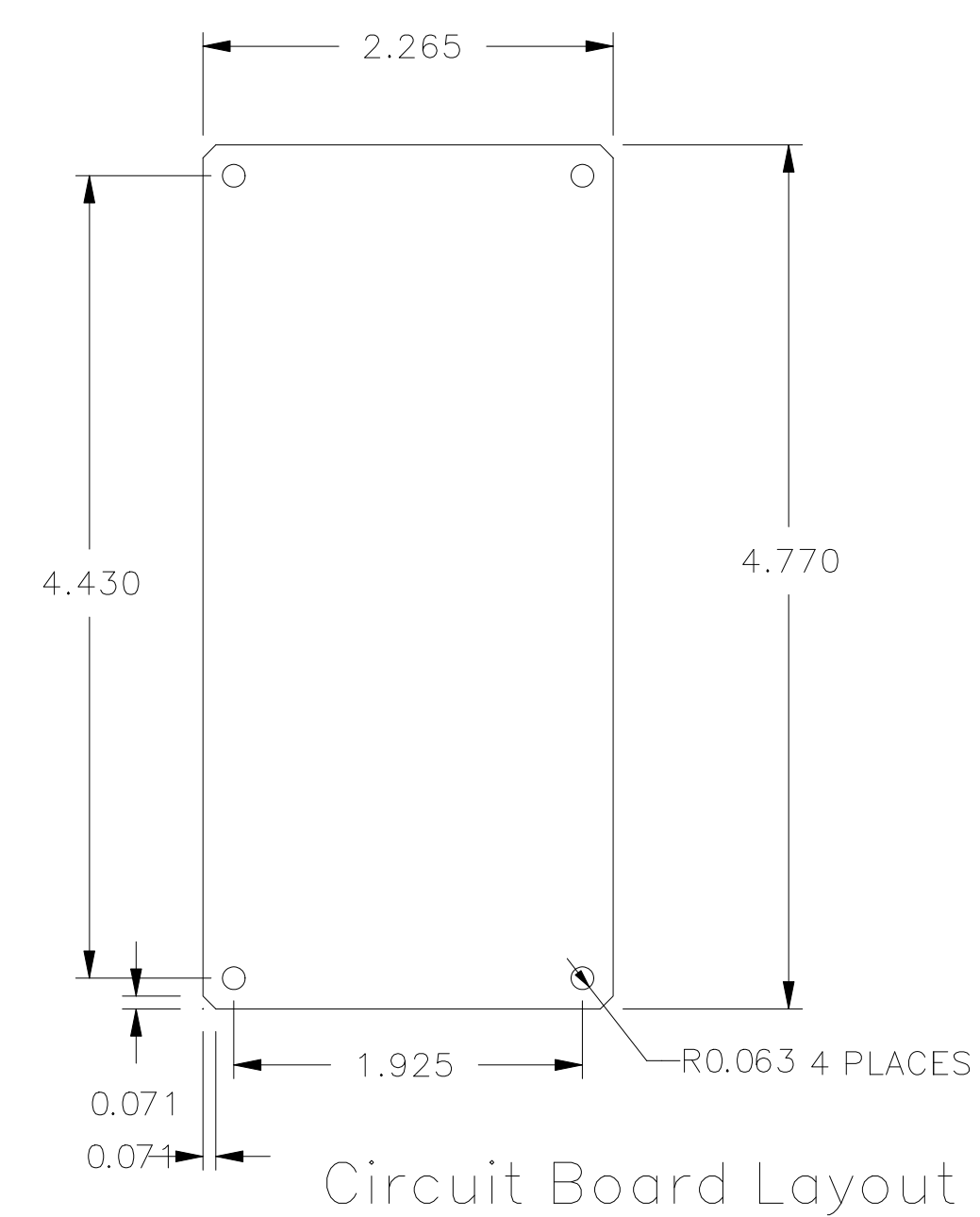
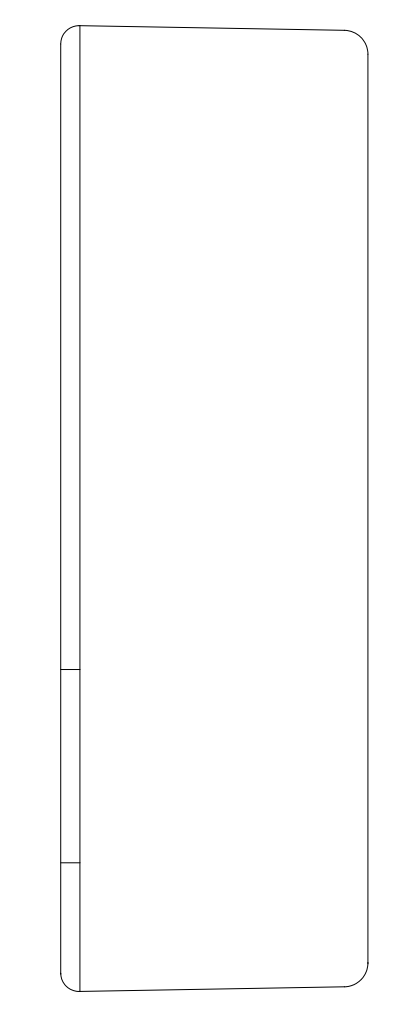
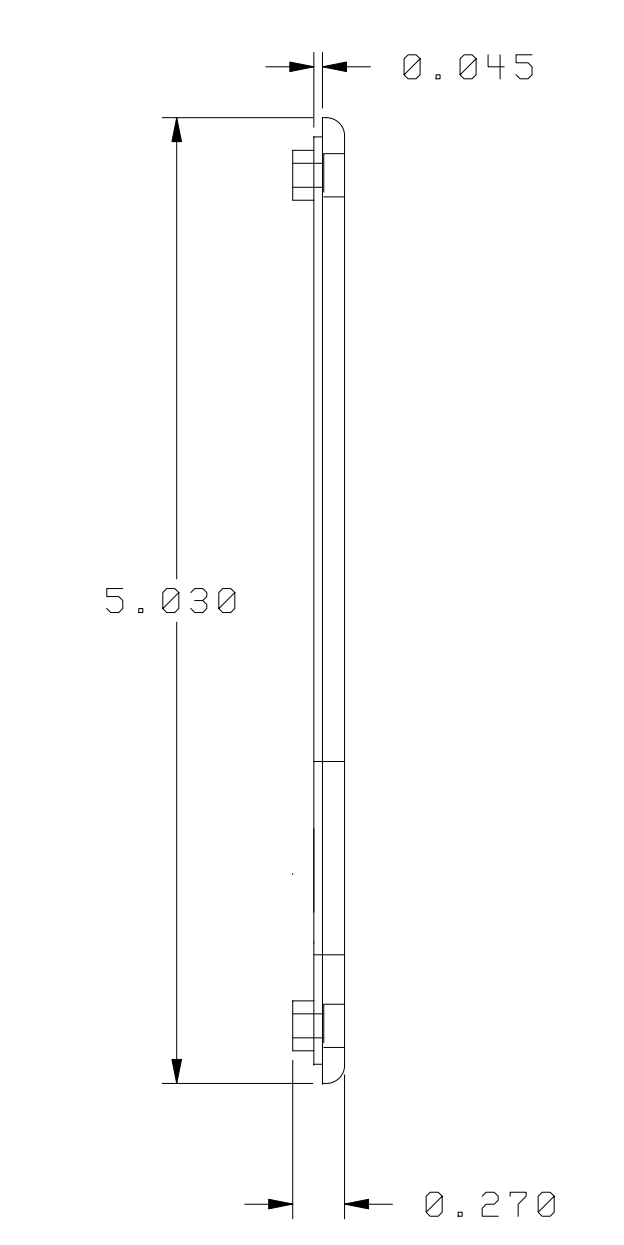
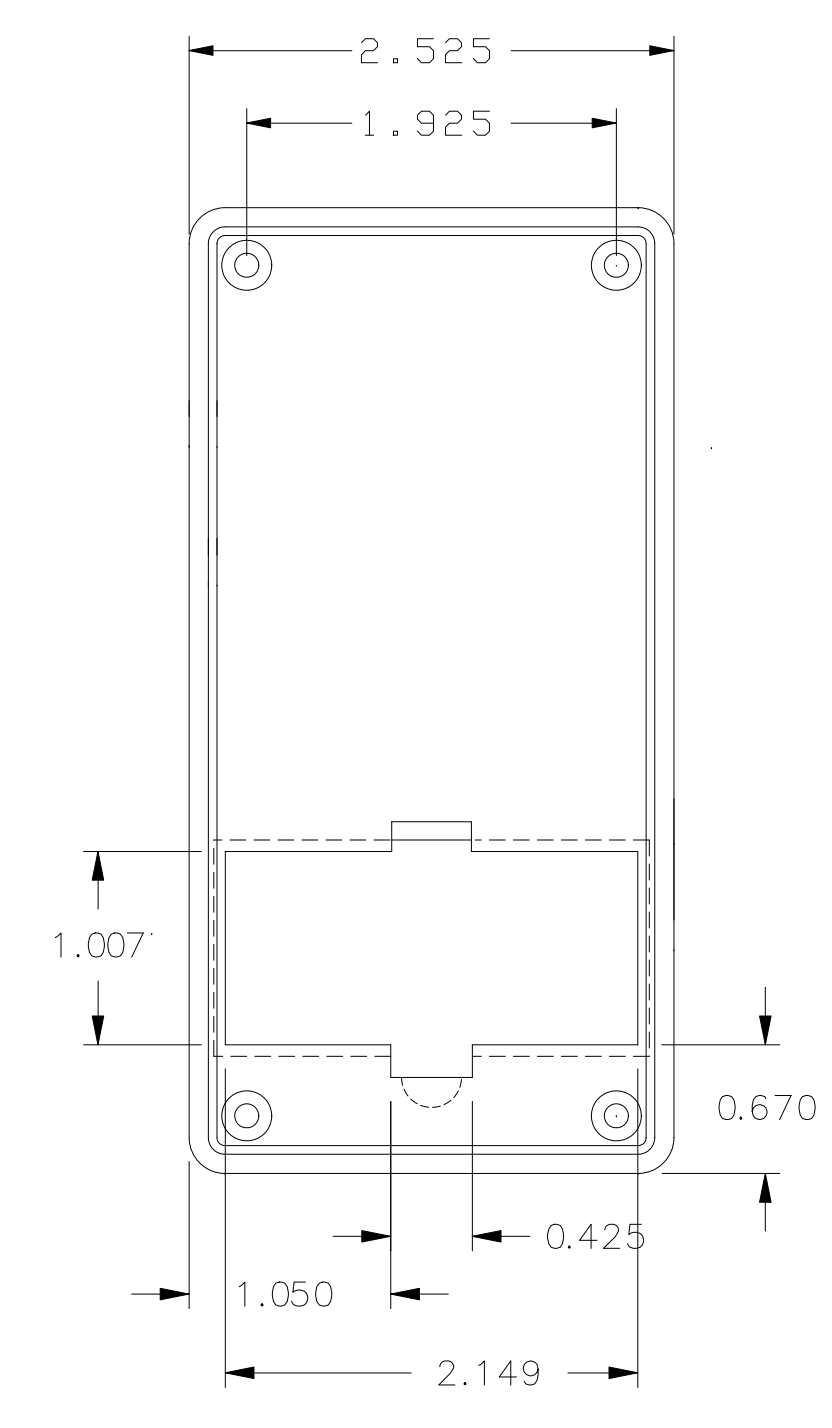
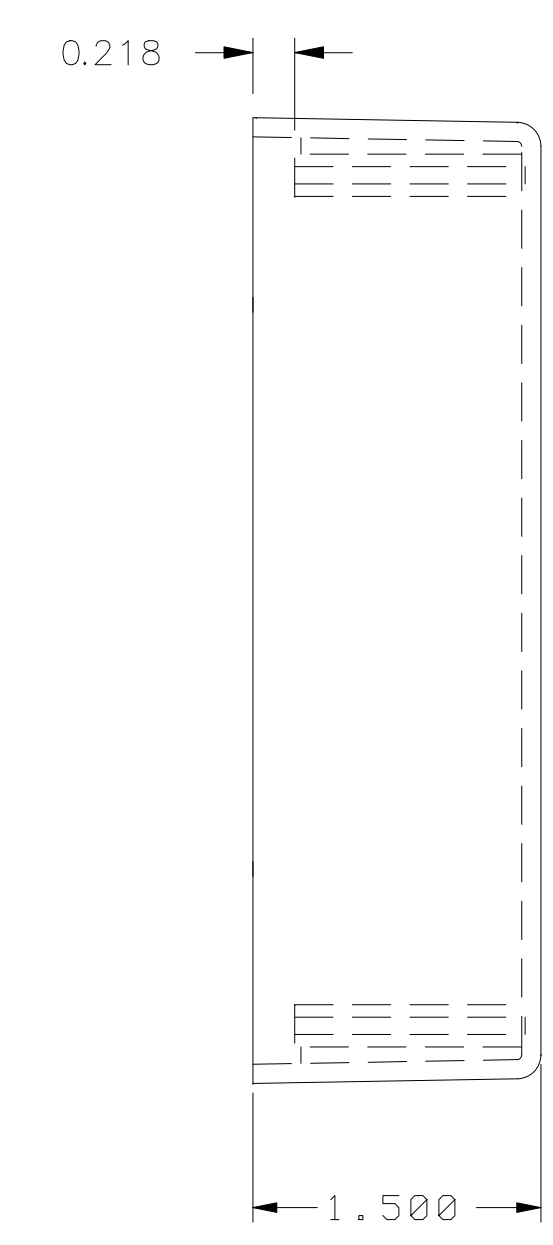
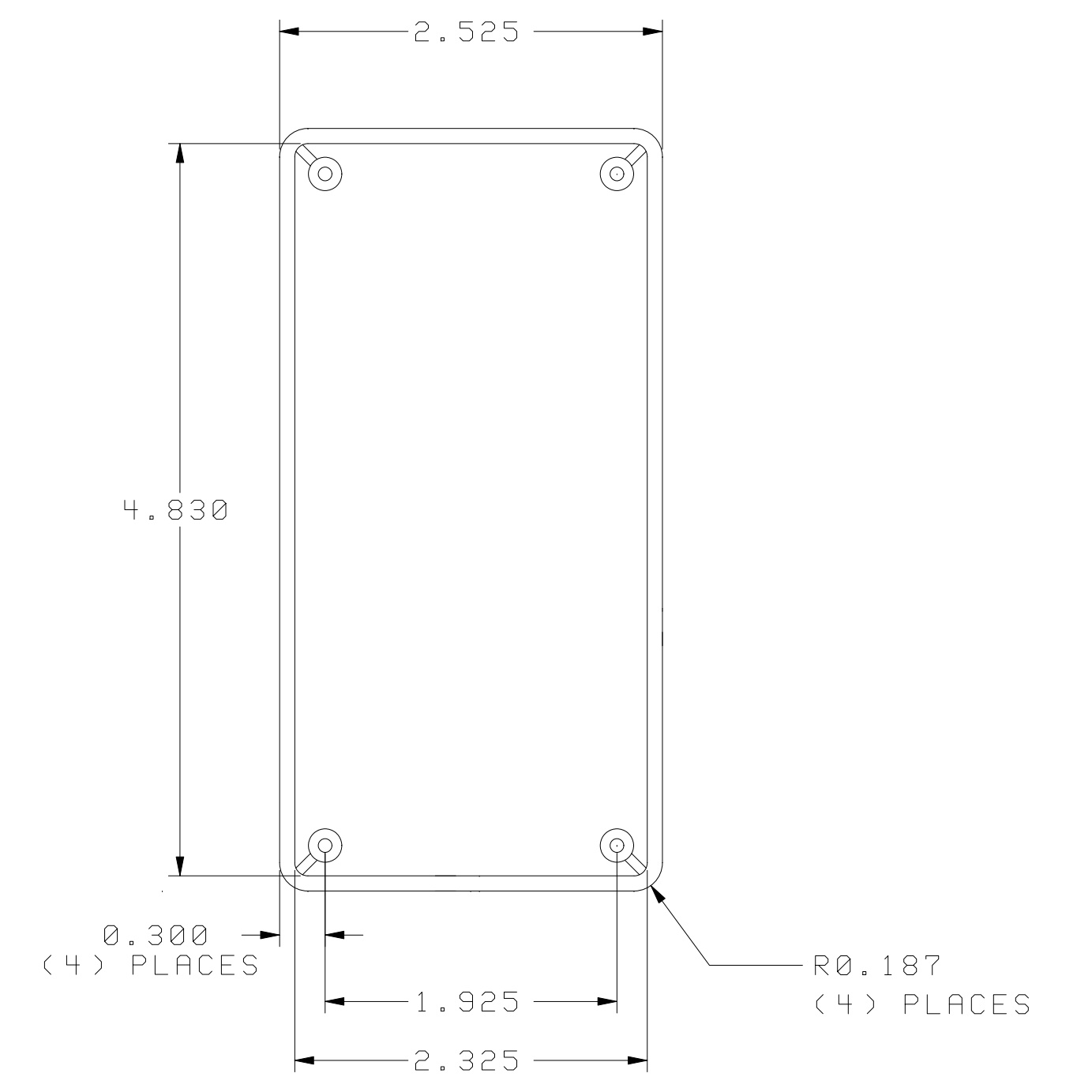


STANDARD INJECTION MOLDING COMPANY, INC.®

REVISIONS			
REV.	DESCRIPTION	DATE	APPROVED



UNLESS OTHERWISE SPECIFIED  
DIMENSIONS ARE IN INCHES.  
TOLERANCES ARE ± .015  
UNLESS OTHERWISE STATED  
ANGLES ± .5°  
MATERIAL  
ABS  
FINISH  
Texture  
CAD GENERATED DRAWING  
DO NOT UPDATE MANUALLY

INCLUDED HARDWARE		
Qty.	SCREWS	Qty. FEET
4	4X9/16	

**SIMCO**

# 160X25

SIZE: DRAWING NO.   
 D   
 SCALE: CAD FILE: SHEET OF