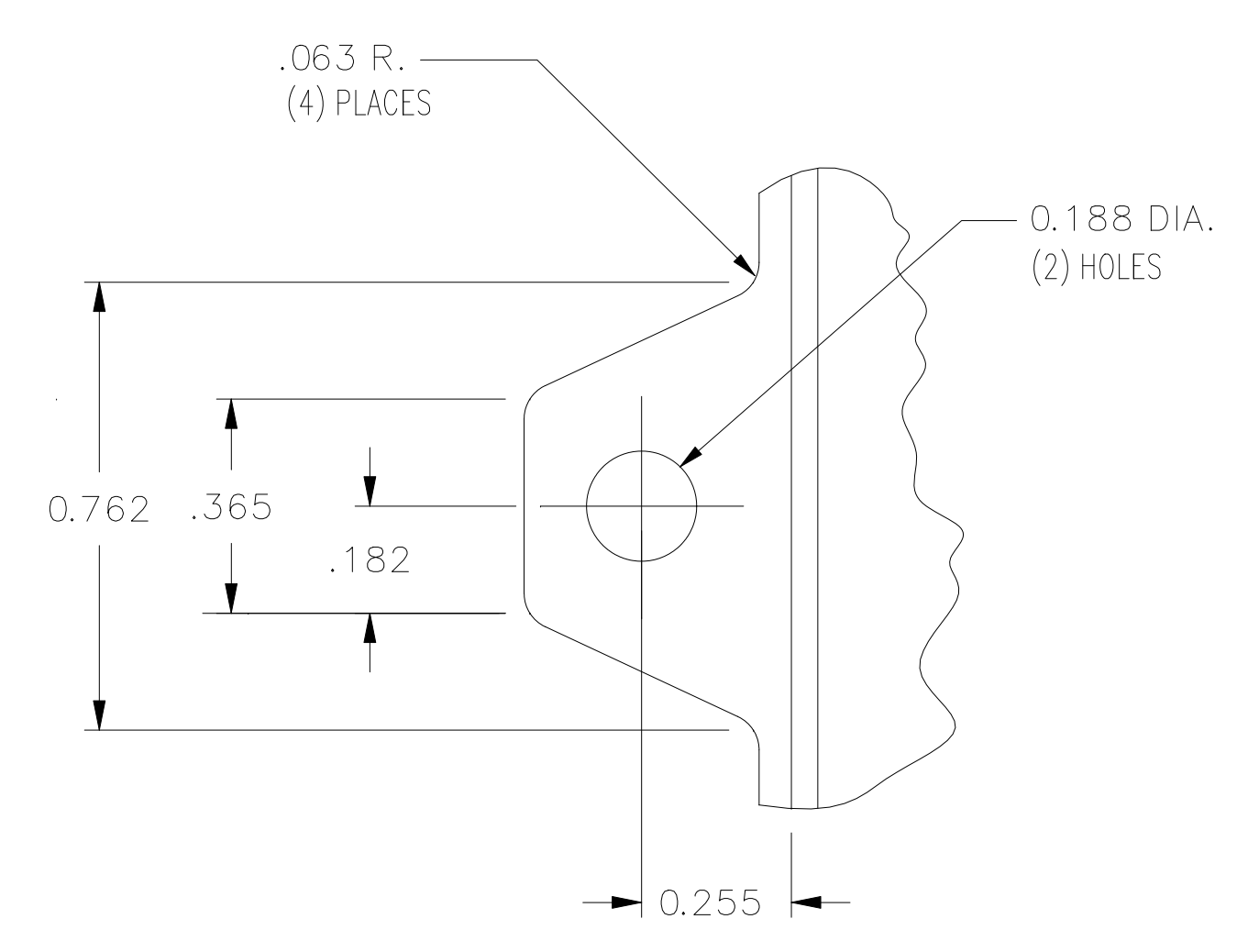
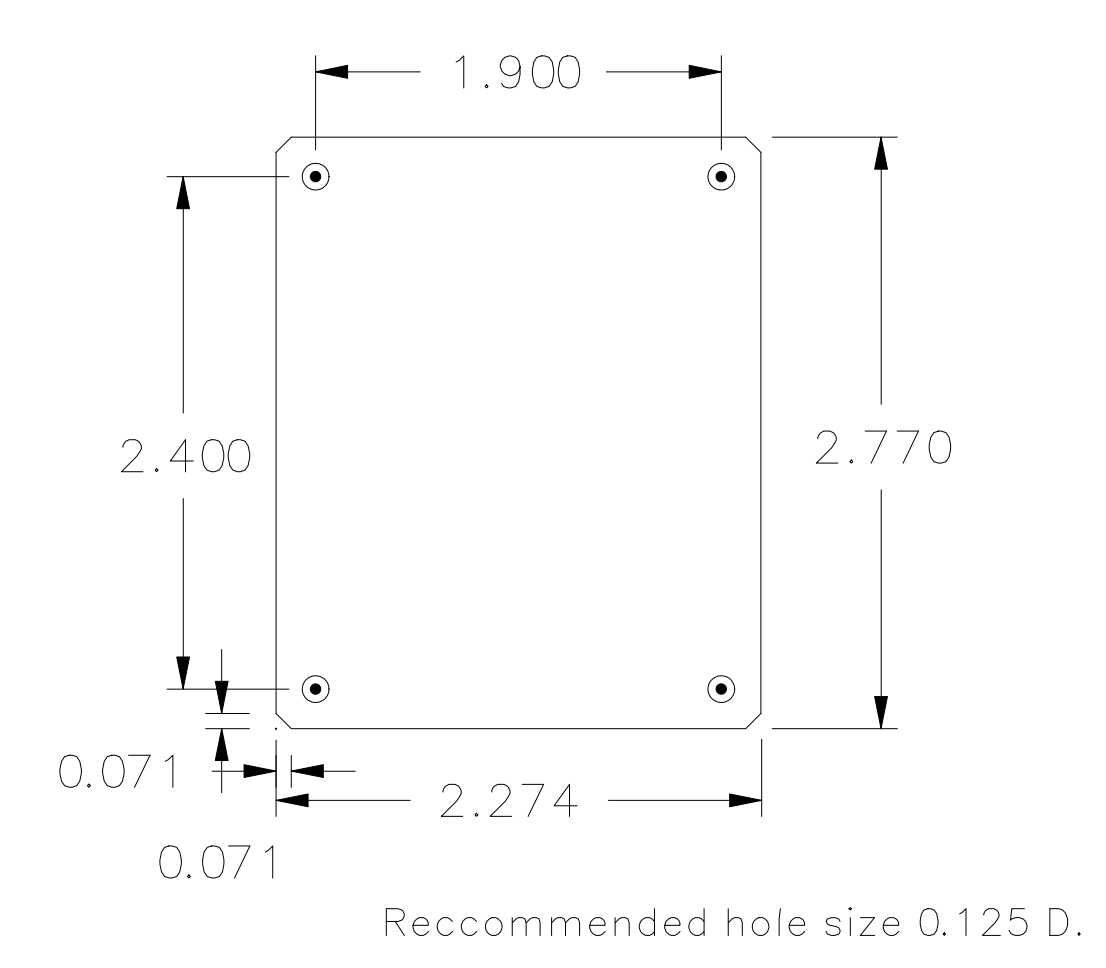
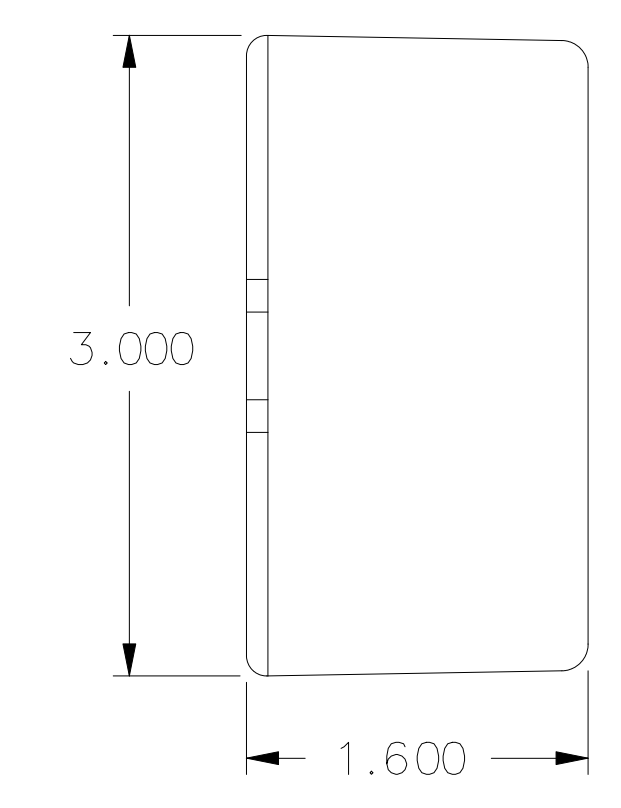
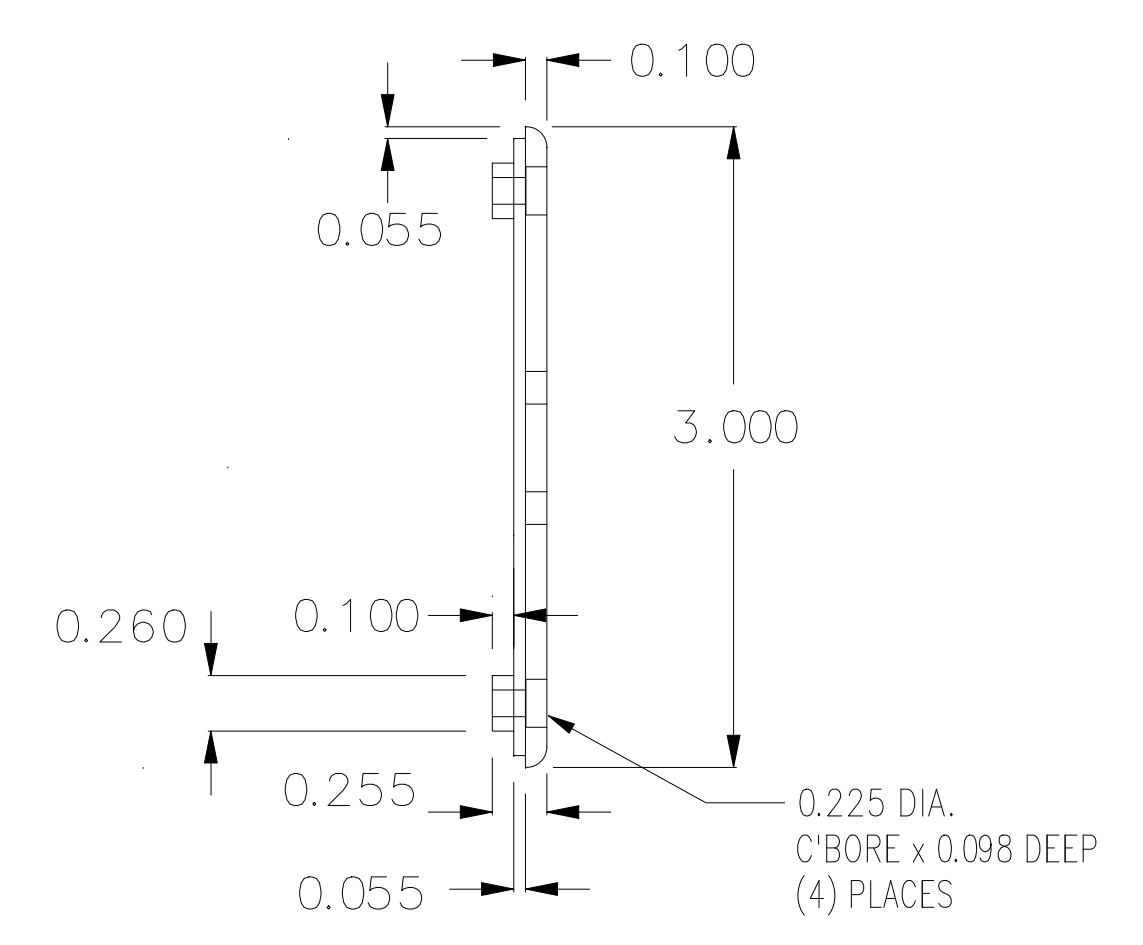
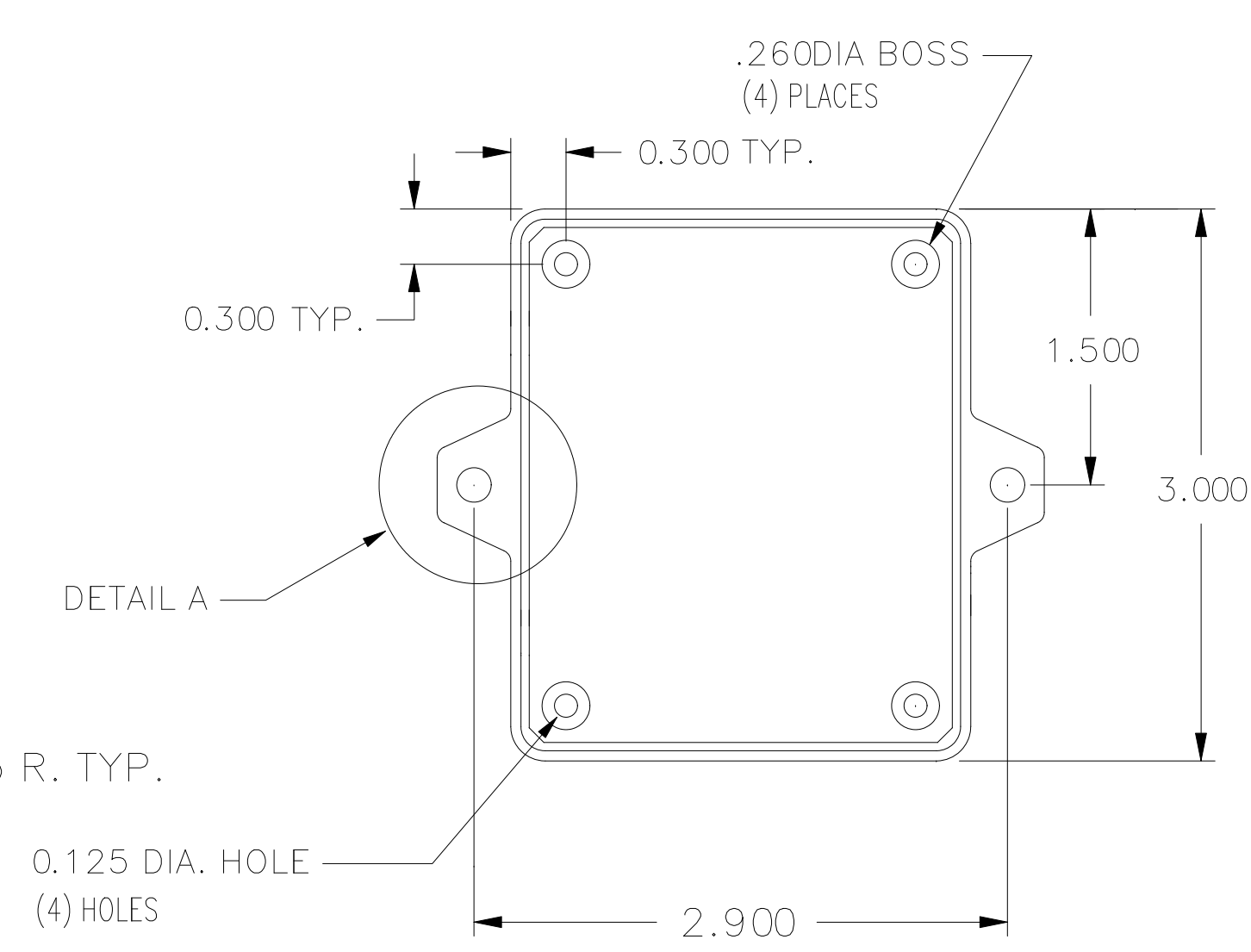
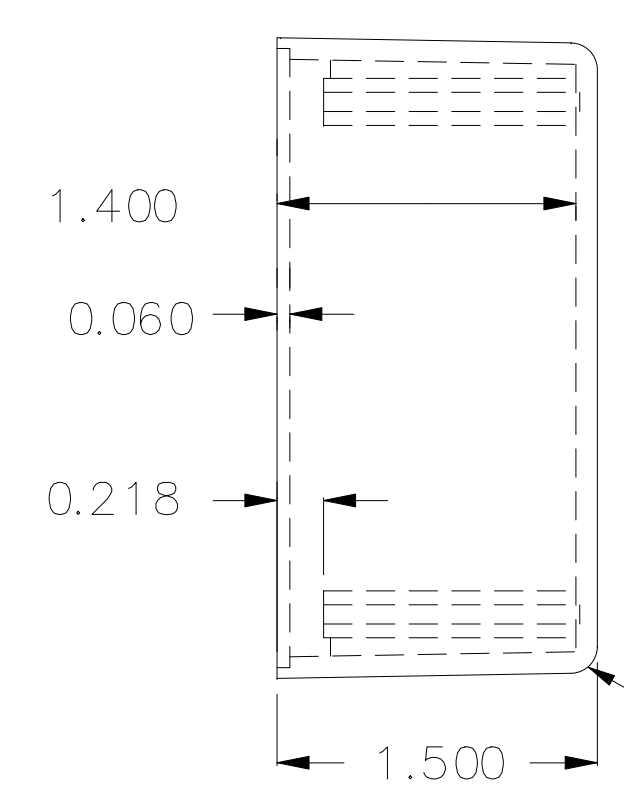
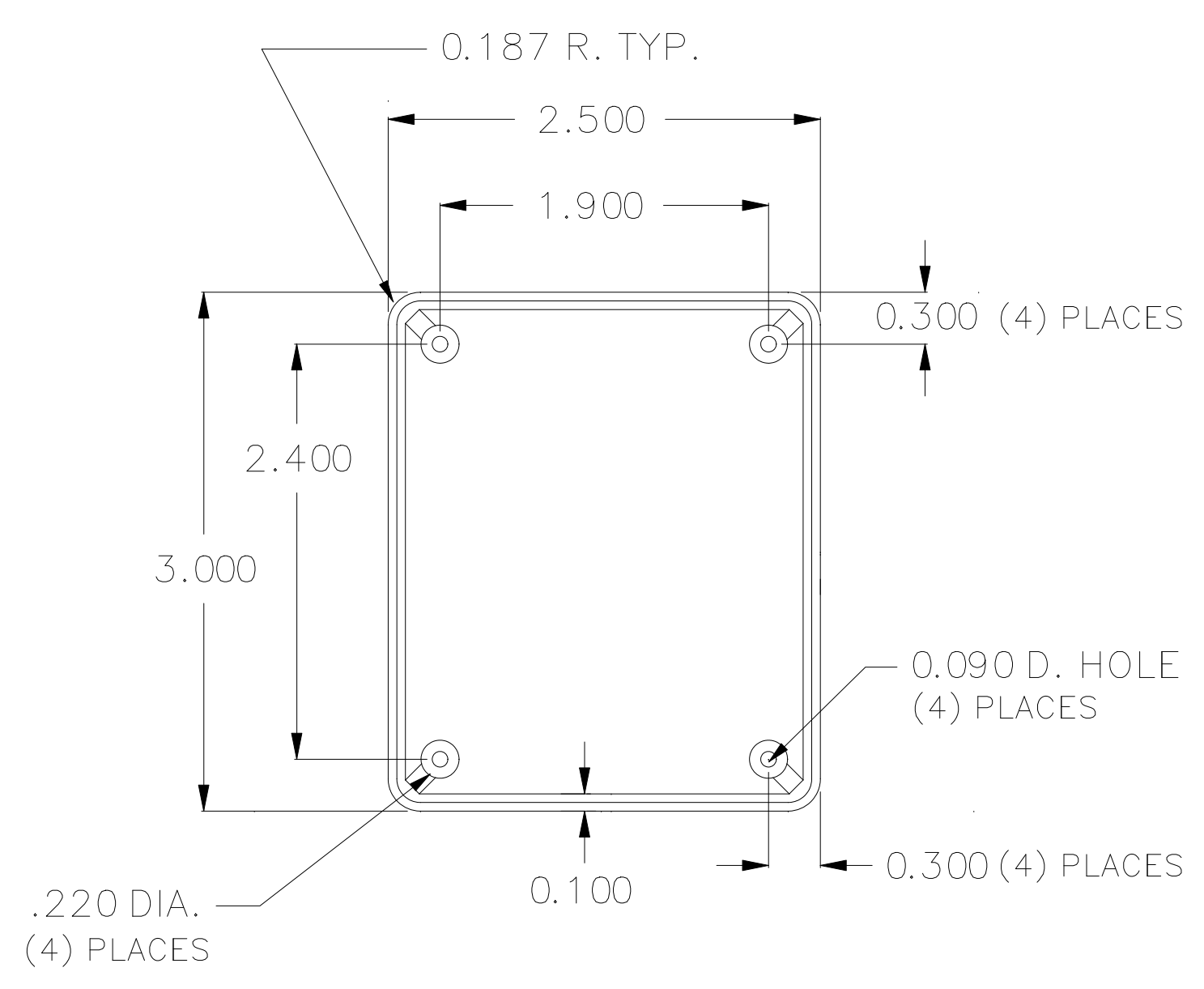


REVISIONS			
REV.	DESCRIPTION	DATE	APPROVED



Circuit Board Layout

DETAIL A

NOTES: ALL DIMENSIONS HAVE A TOLERANCE OF .010 UNLESS OTHERWISE SPECIFIED.

UNLESS OTHERWISE SPECIFIED DIMENSIONS ARE IN INCHES.
TOLERANCES ARE ± .015 UNLESS OTHERWISE STATED
ANGLES ± .5°
MATERIAL ABS
FINISH Texture
CAD GENERATED DRAWING DO NOT UPDATE MANUALLY

INCLUDED HARDWARE			
Qty.	SCREWS	Qty.	FEET
4	9/16"		

SIMCO
160X23/M

SIZE DRAWING NO. REV.
D

SCALE: CAD FILE: SHEET 1 OF 2