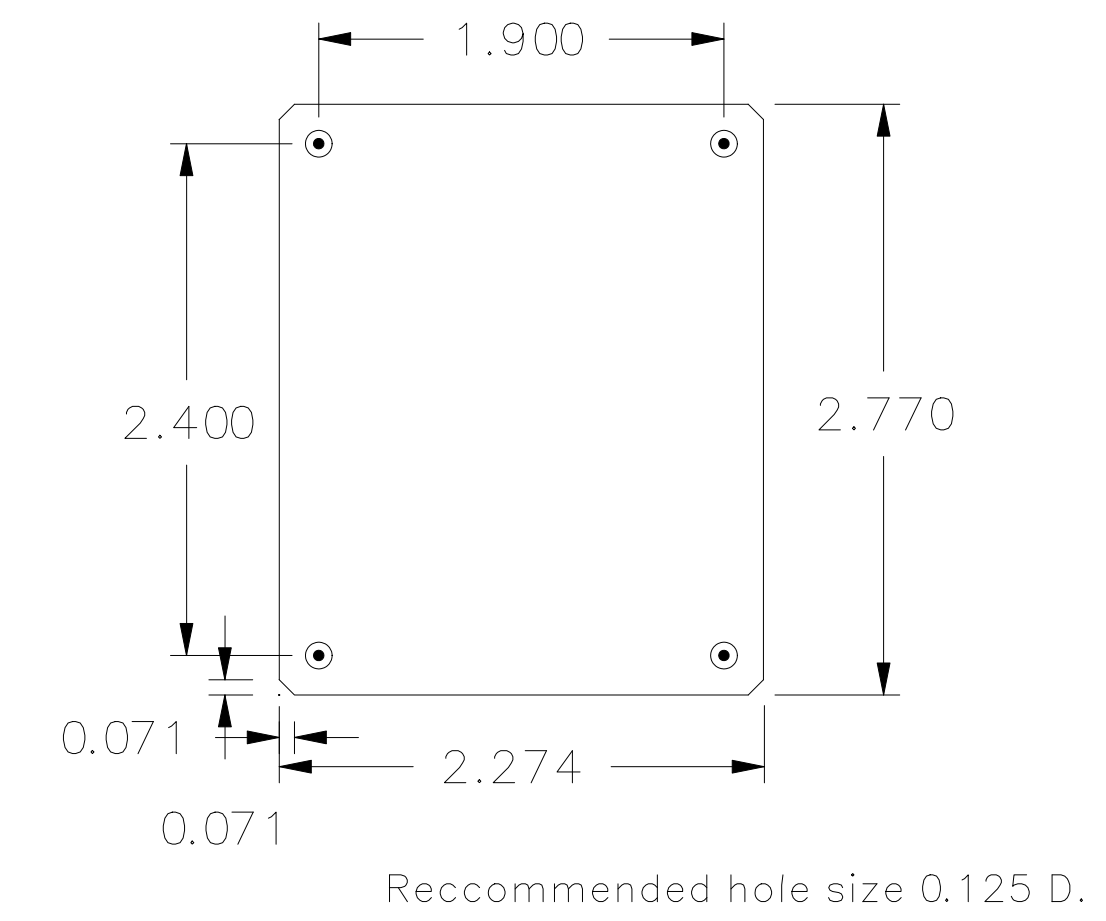
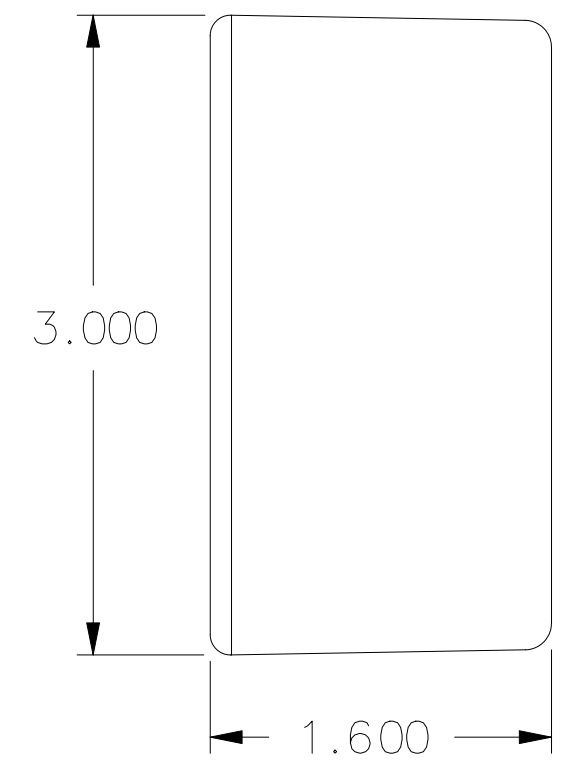
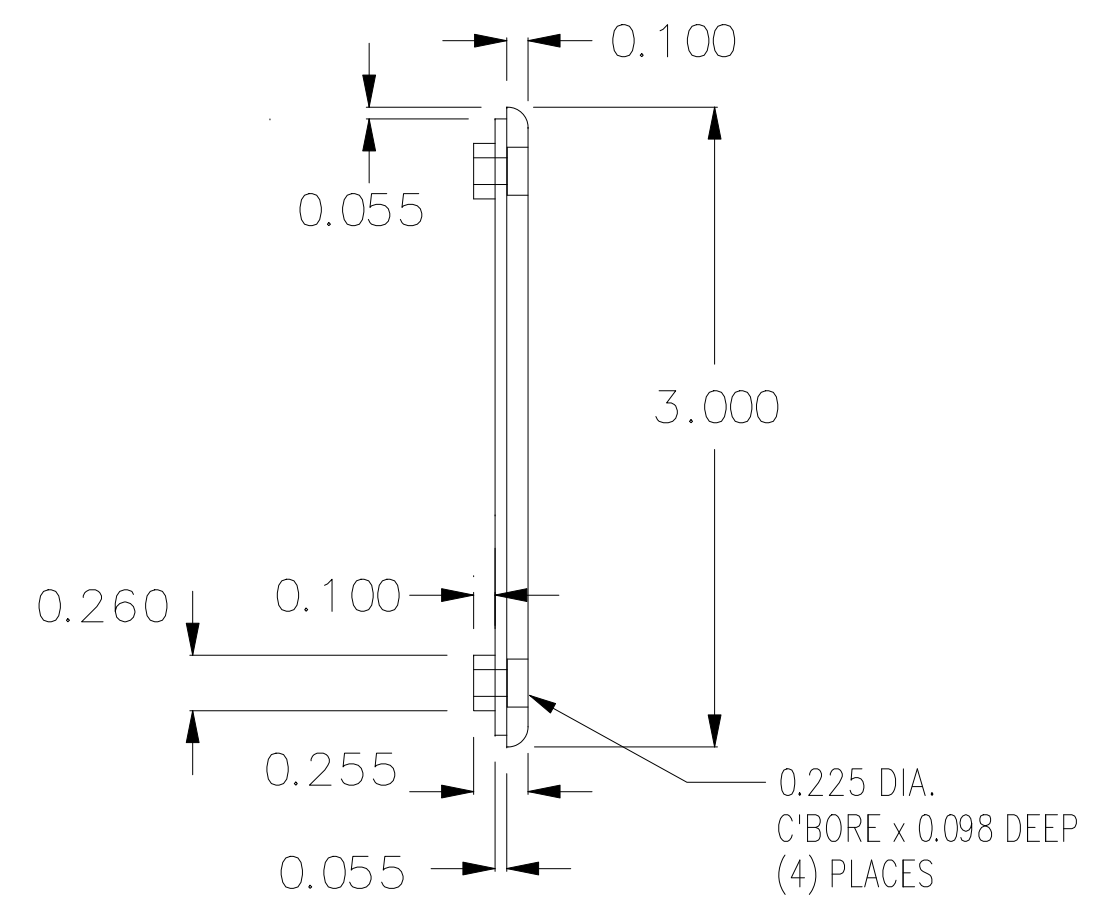
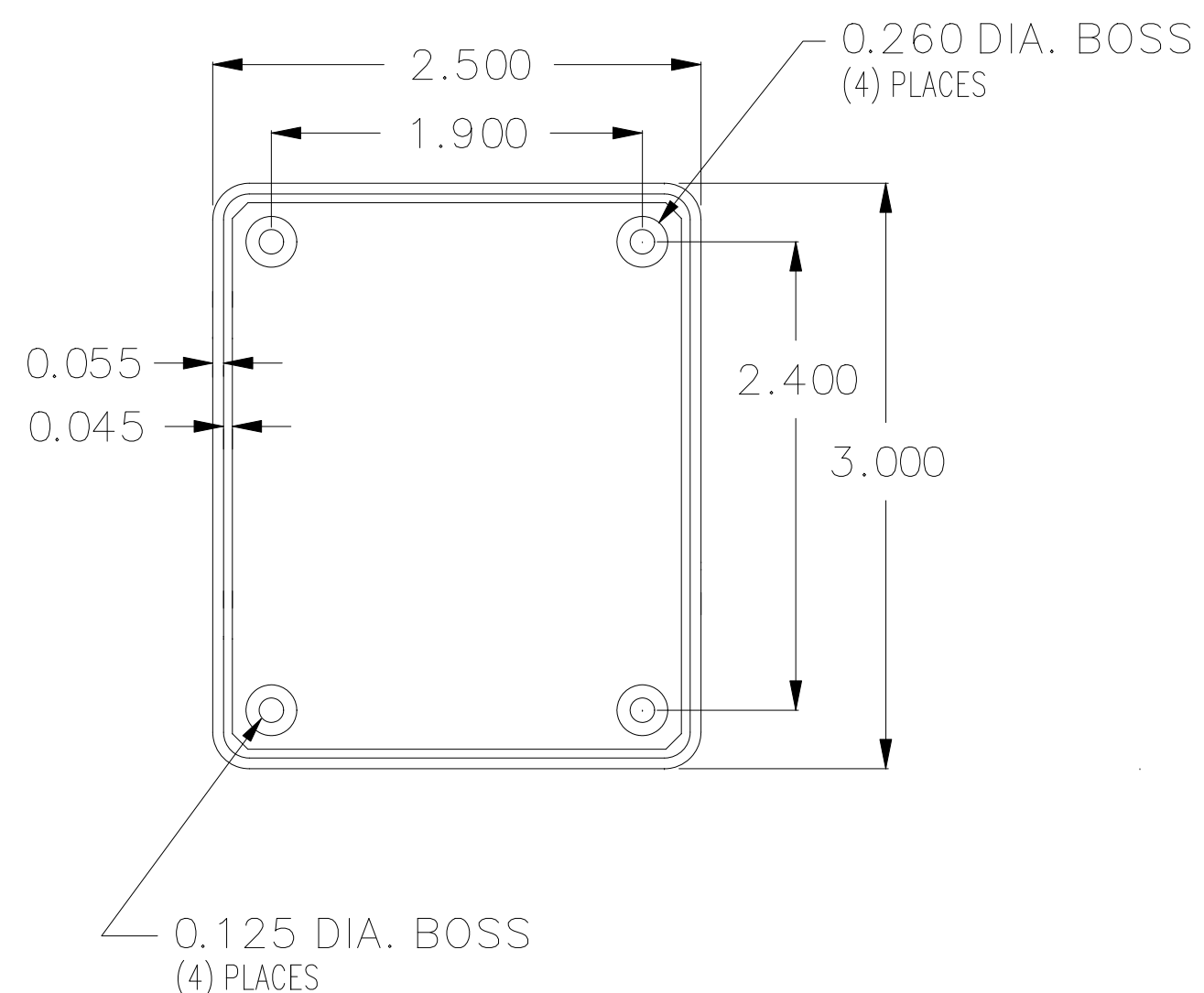
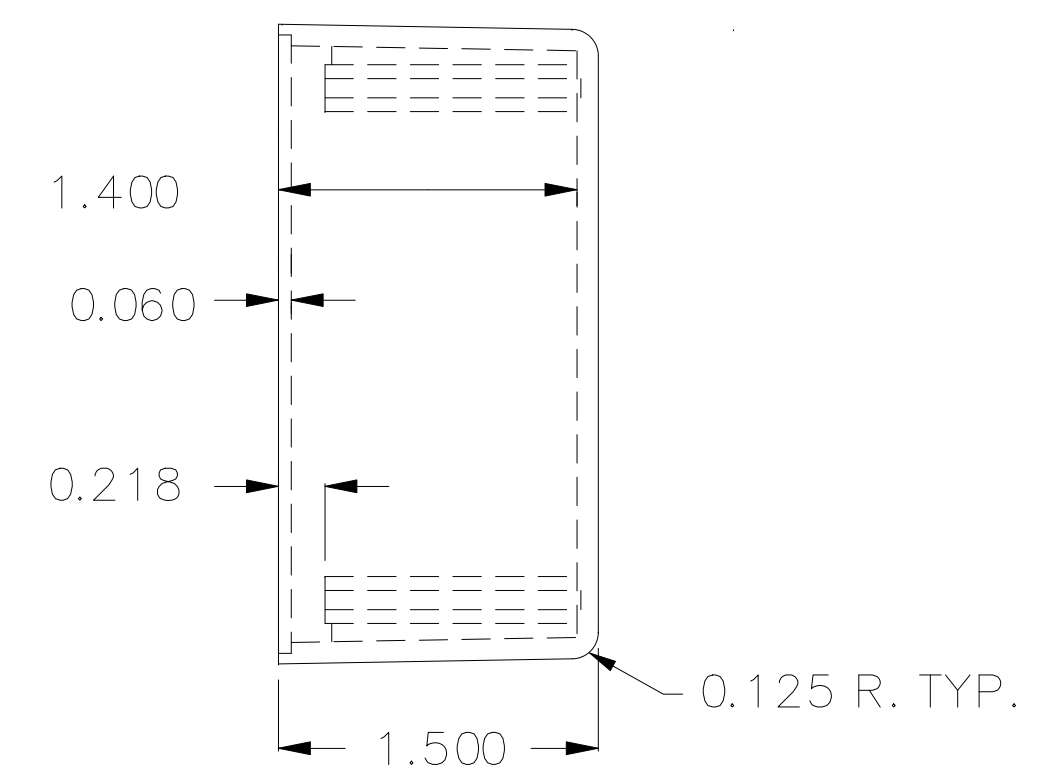
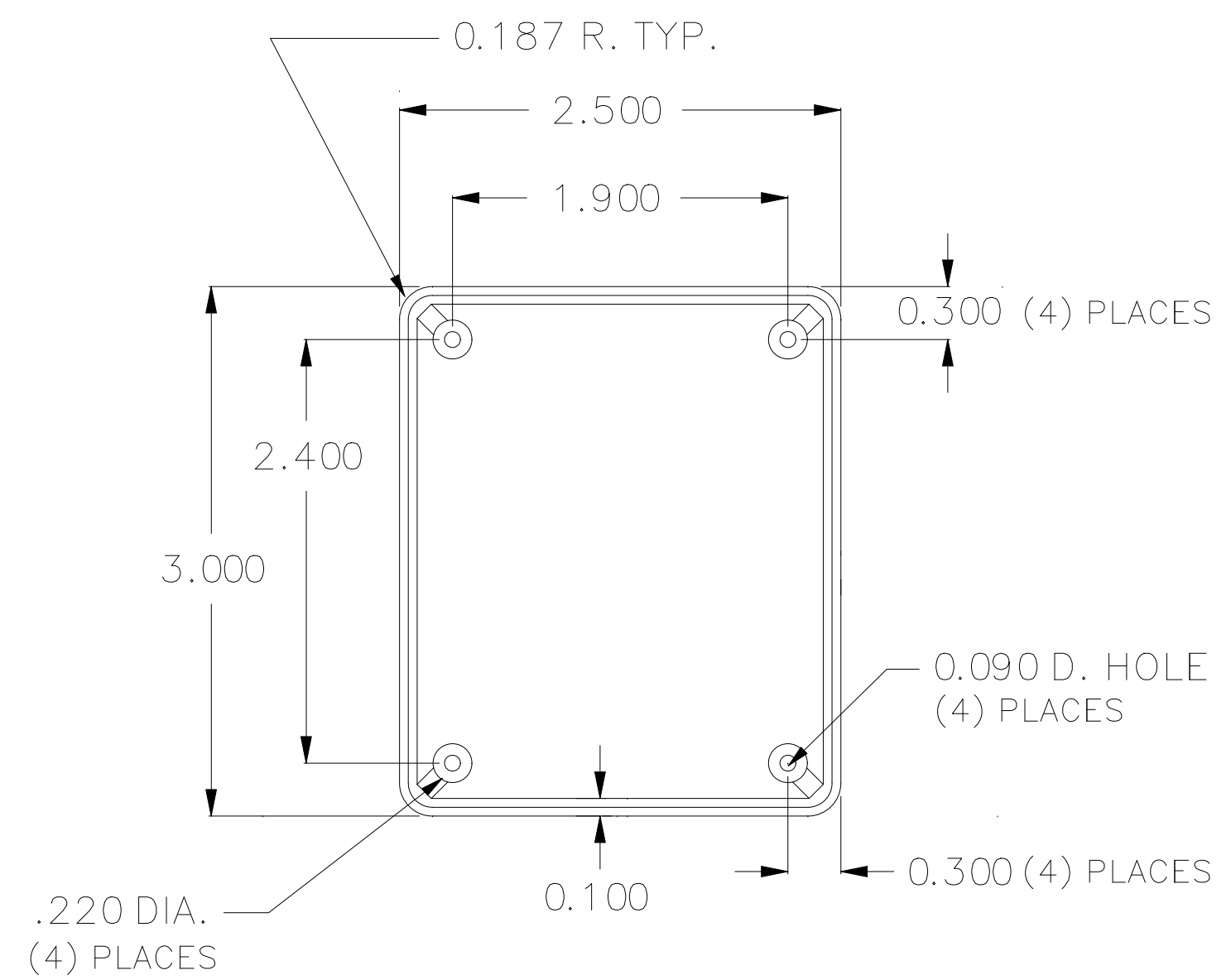


REVISIONS			
REV.	DESCRIPTION	DATE	APPROVED



NOTES: ALL DIMENSIONS HAVE A TOLERANCE OF .010 UNLESS OTHERWISE SPECIFIED.

Circuit Board Layout

UNLESS OTHERWISE SPECIFIED DIMENSIONS ARE IN INCHES.
 TOLERANCES ARE ± .015 UNLESS OTHERWISE STATED
 ANGLES ± .5°
 MATERIAL ABS
 FINISH Texture
 CAD GENERATED DRAWING DO NOT UPDATE MANUALLY

INCLUDED HARDWARE			
Qty.	SCREWS	Qty.	FEET
4	9/16"		

SIMCO
160X23
 SIZE DRAWING NO. REV.
 D
 SCALE: CAD FILE: SHEET 1 OF 2