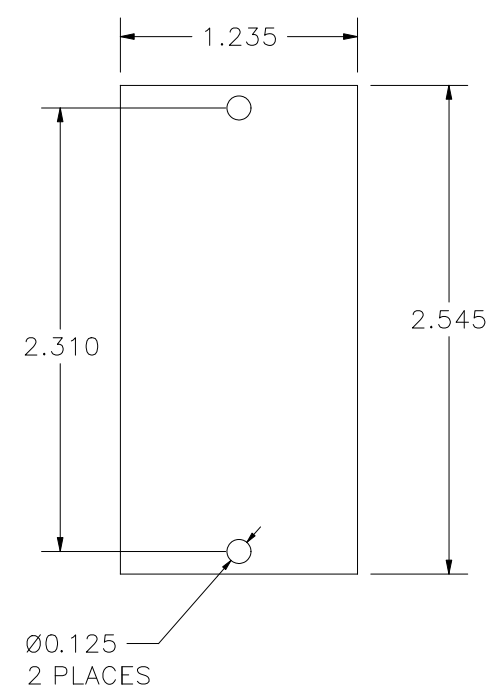
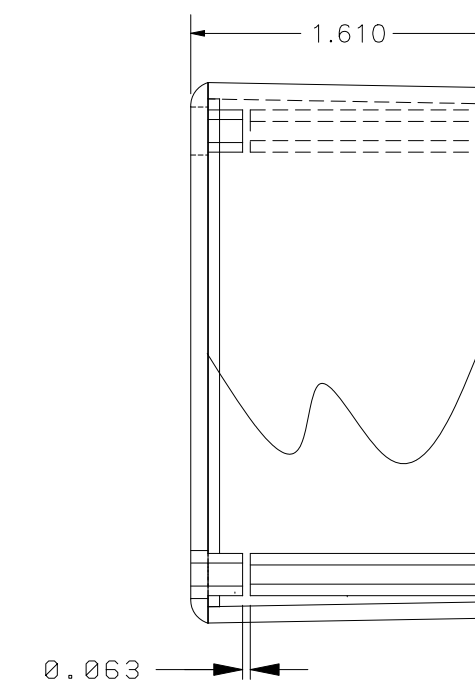
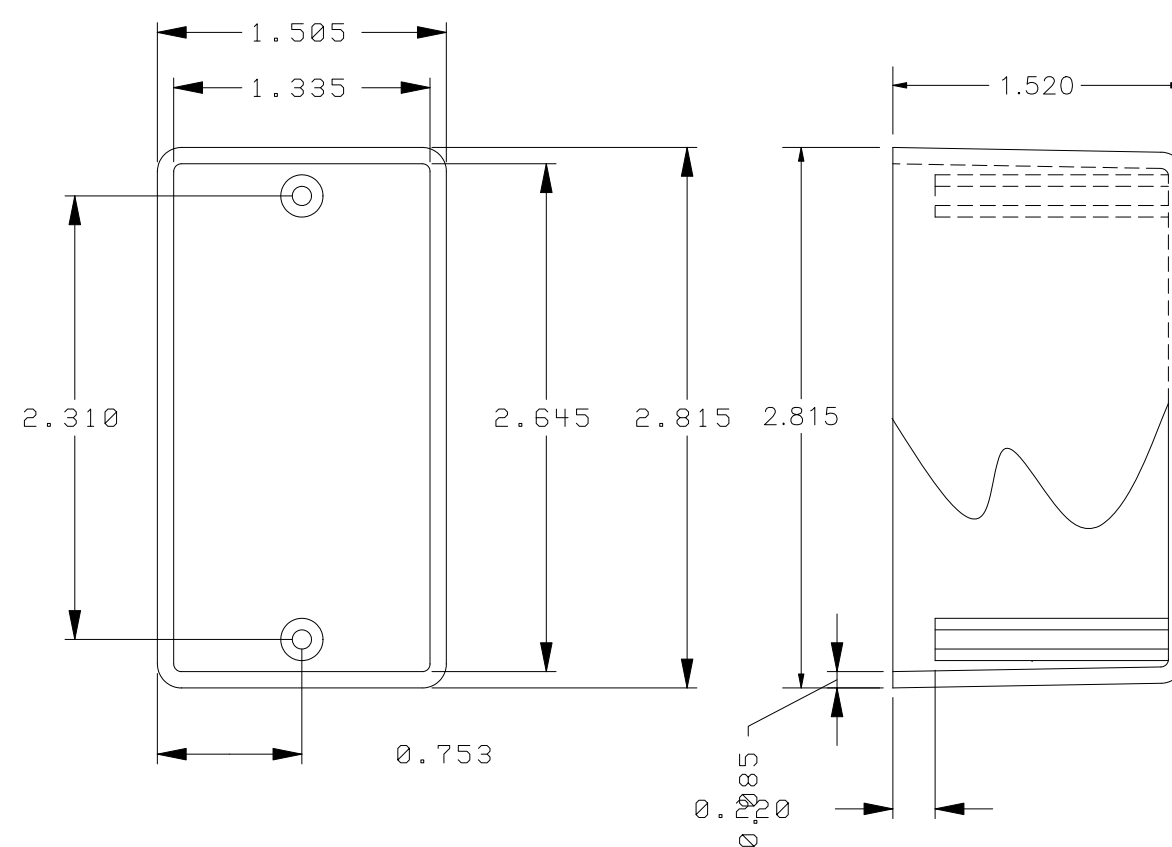
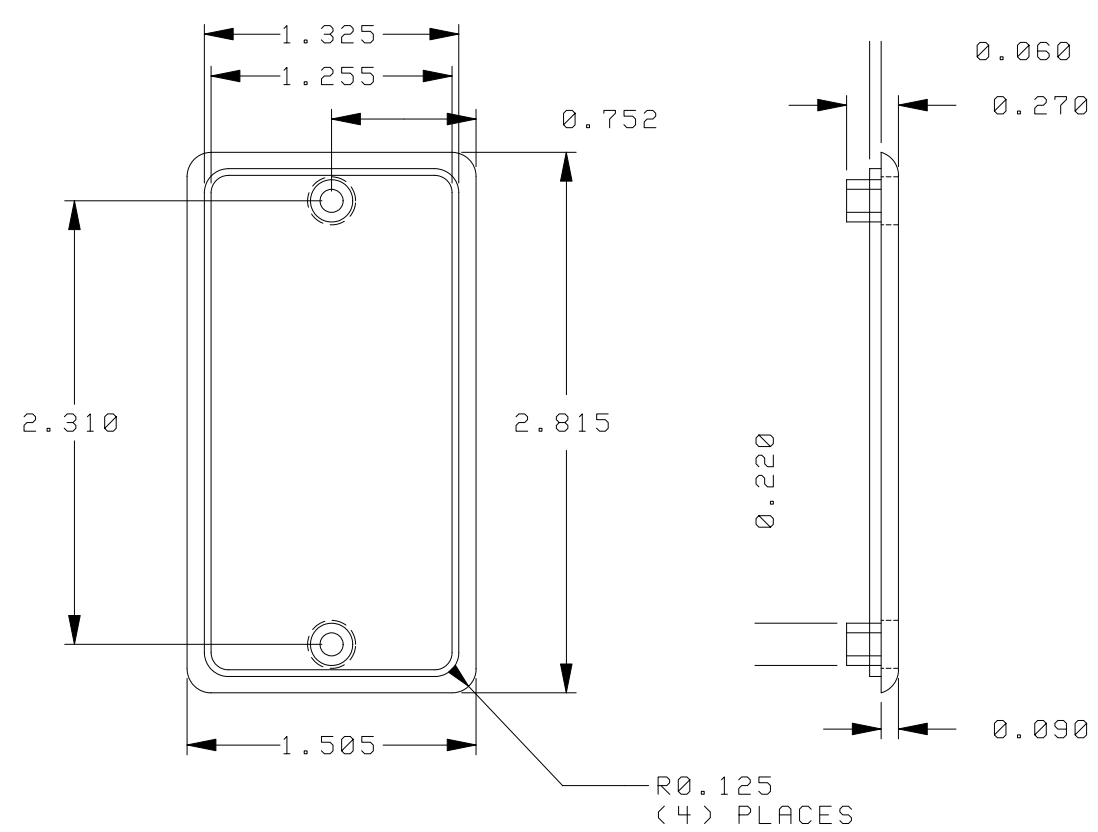


STANDARD INJECTION MOLDING COMPANY, INC.®

REVISIONS			
REV.	DESCRIPTION	DATE	APPROVED
	PRODUCTION RELEASE	02/26/09	



UNLESS OTHERWISE SPECIFIED
DIMENSIONS ARE IN INCHES.
TOLERANCES ARE ±.015
UNLESS OTHERWISE STATED
ANGLES ±.5°
MATERIAL
ABS
FINISH
Texture
CAD GENERATED DRAWING
DO NOT UPDATE MANUALLY

INCLUDED HARDWARE			
Qty.	SCREWS	Qty.	FEET

SIMCO
160X13

SIZE DRAWING NO. 160X13
D
SCALE: CAD FILE: 160X13.DCD SHEET 1 OF 1

