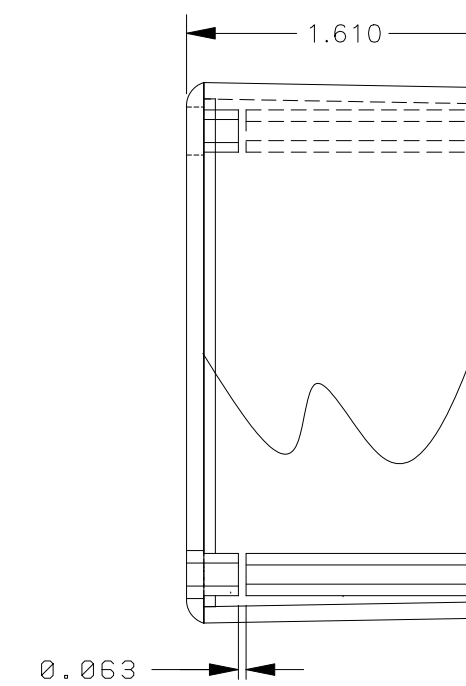
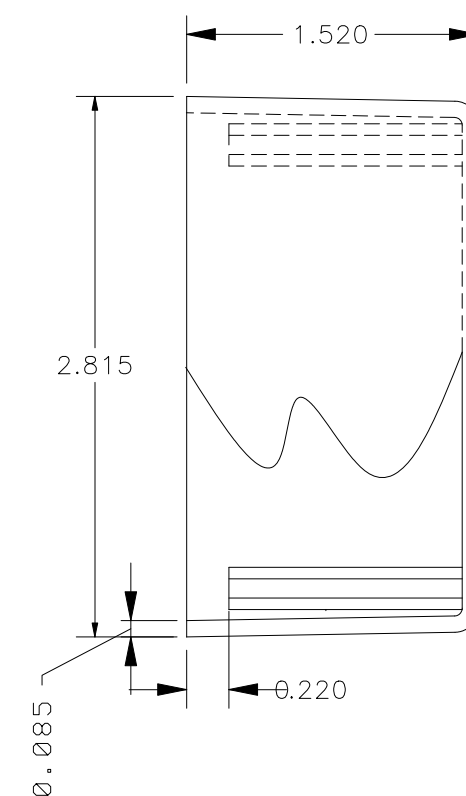
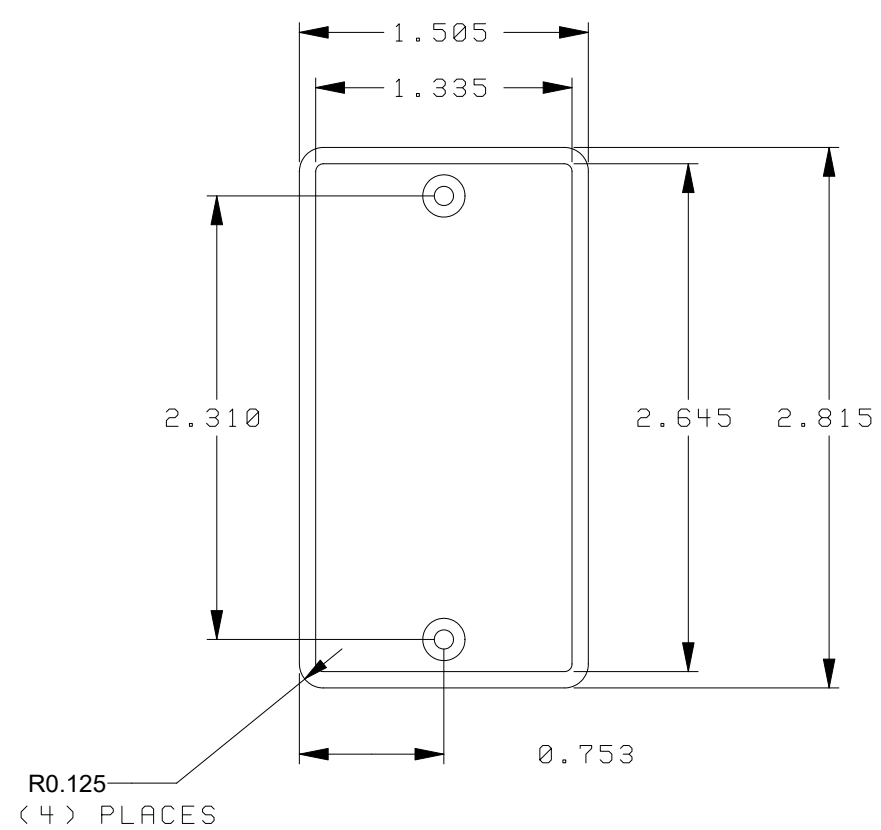
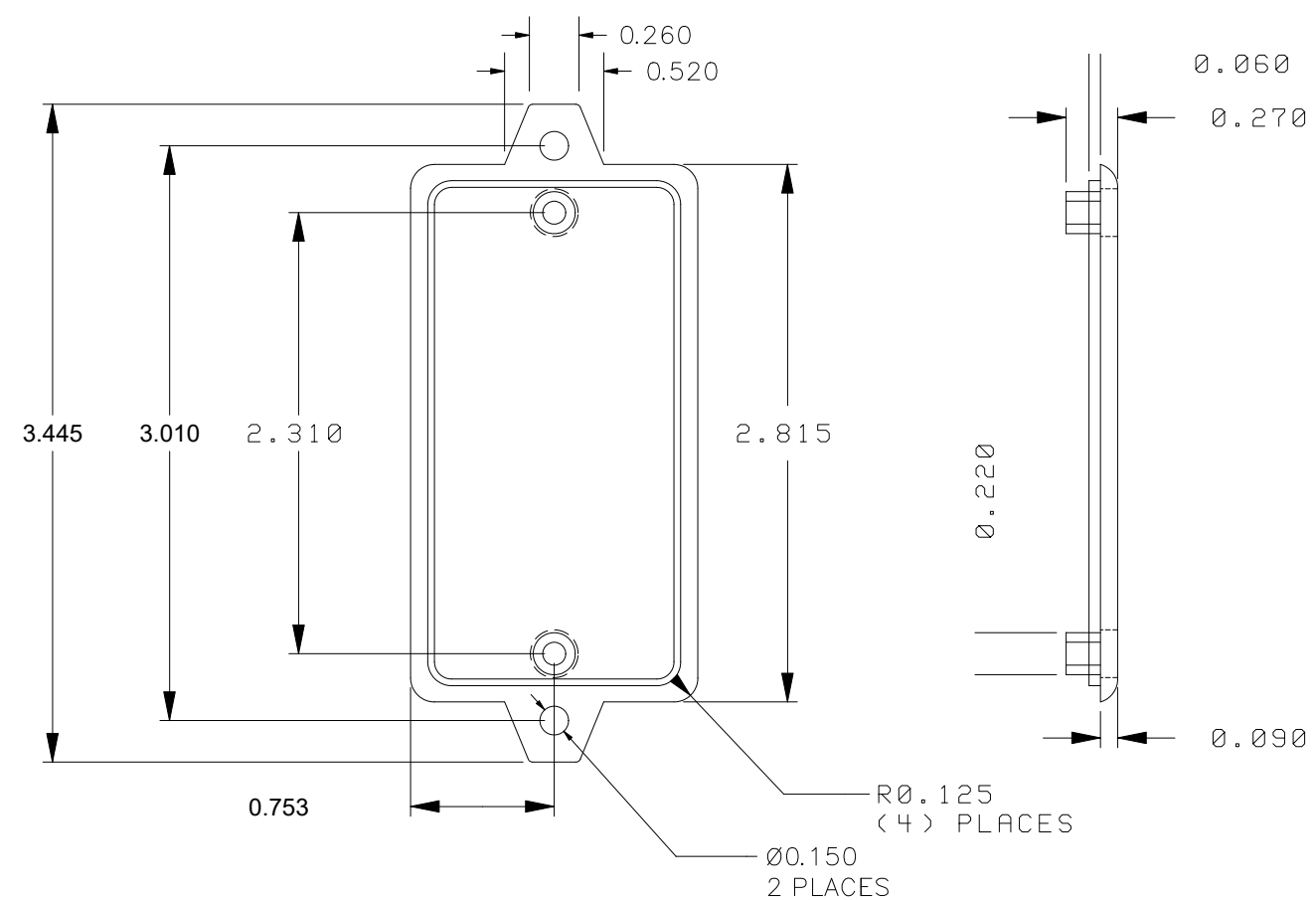
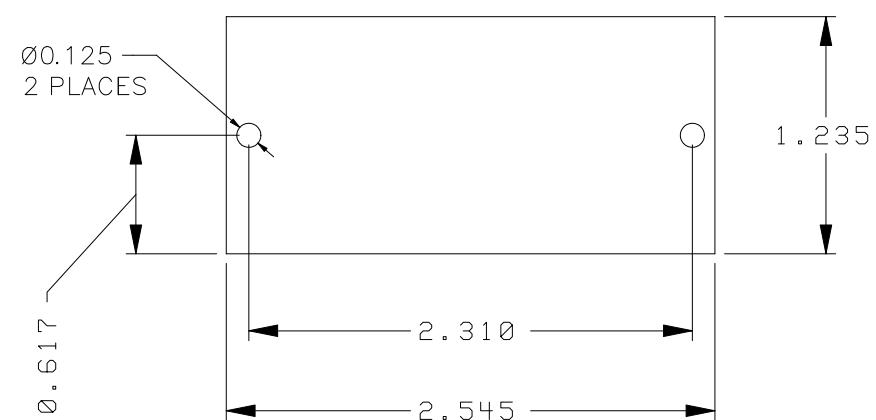


REVISIONS			
REV.	DESCRIPTION	DATE	APPROVED
	PRODUCTION RELEASE	02/26/09	



CIRCUIT BOARD LAYOUT



UNLESS OTHERWISE SPECIFIED  
DIMENSIONS ARE IN INCHES.  
TOLERANCES ARE ±.015  
UNLESS OTHERWISE STATED  
ANGLES ±.5°  
MATERIAL  
ABS  
FINISH  
Texture  
CAD GENERATED DRAWING  
DO NOT UPDATE MANUALLY

INCLUDED HARDWARE	
Qty.	FEET
2	#4X9/16

**SIMCO**  
**160X13/M**

SIZE DRAWING NO. 160X13-M  
SCALE: CAD FILE: 160X13-M.DCD SHEET 1 OF 1