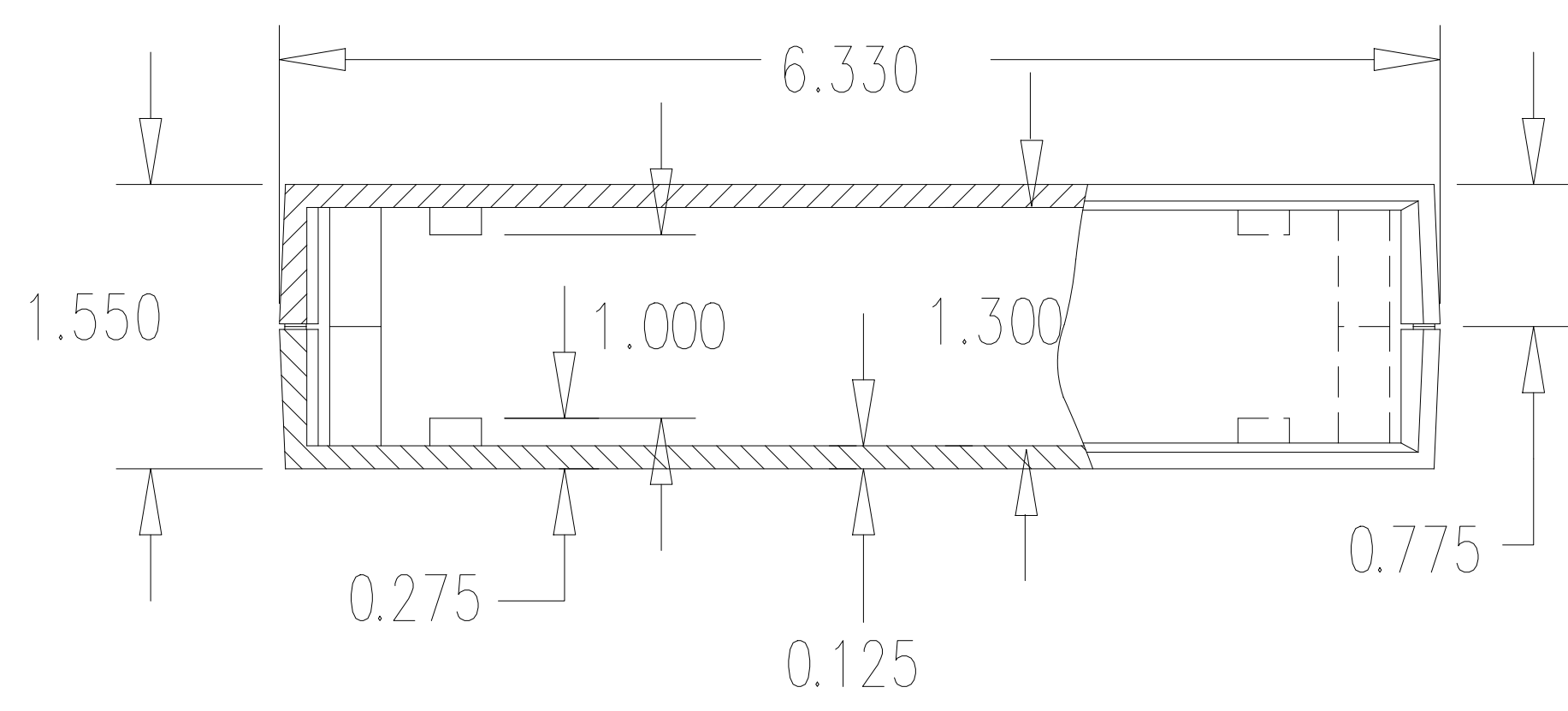
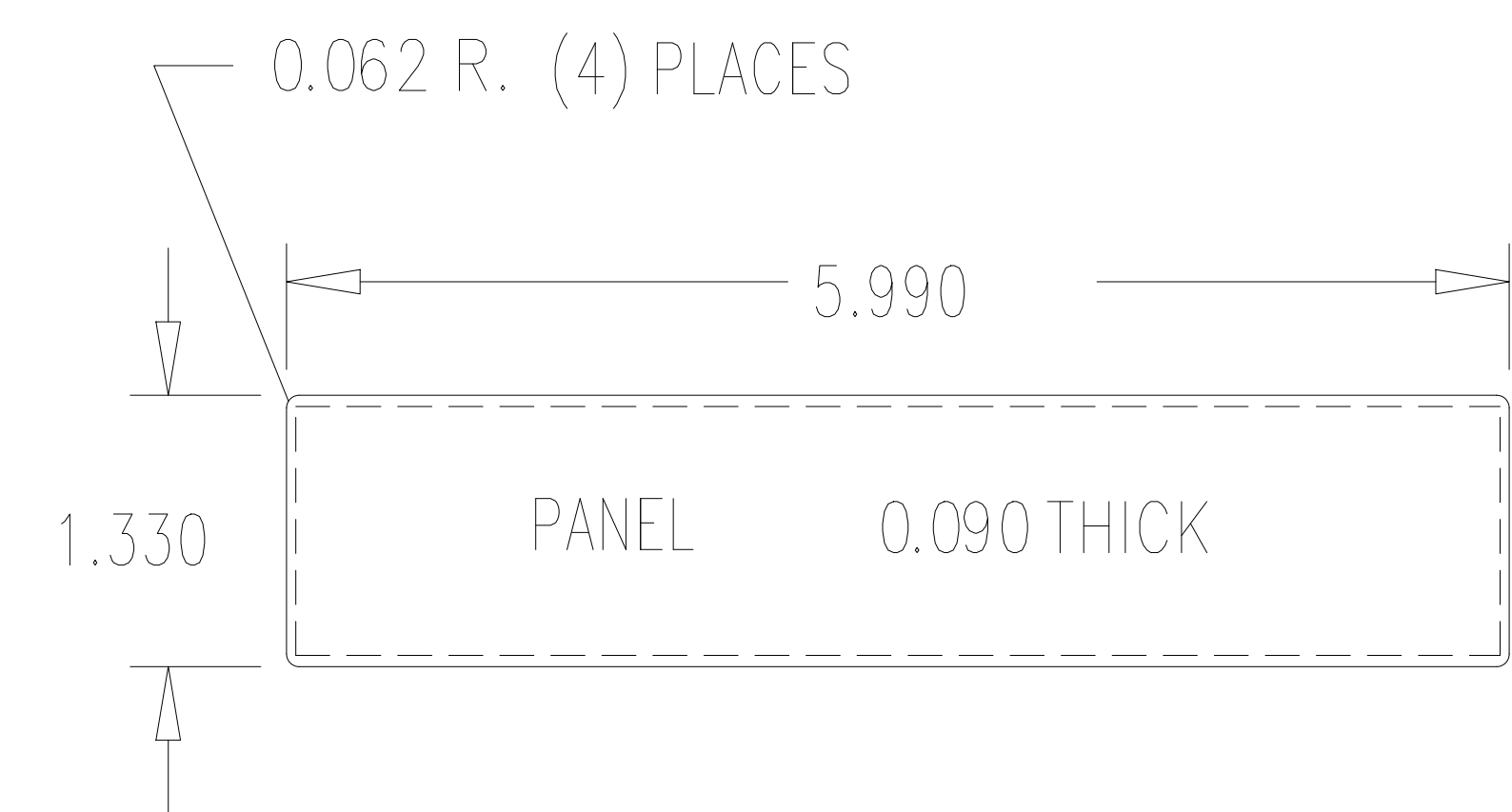
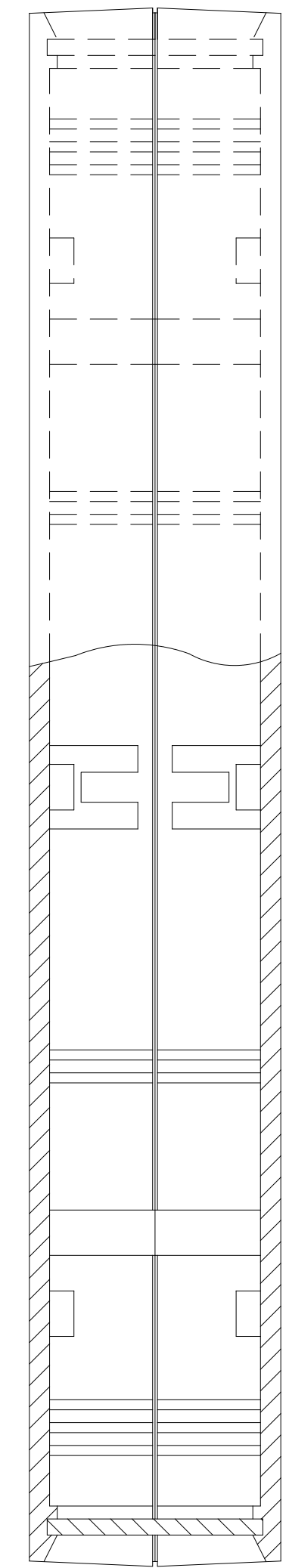
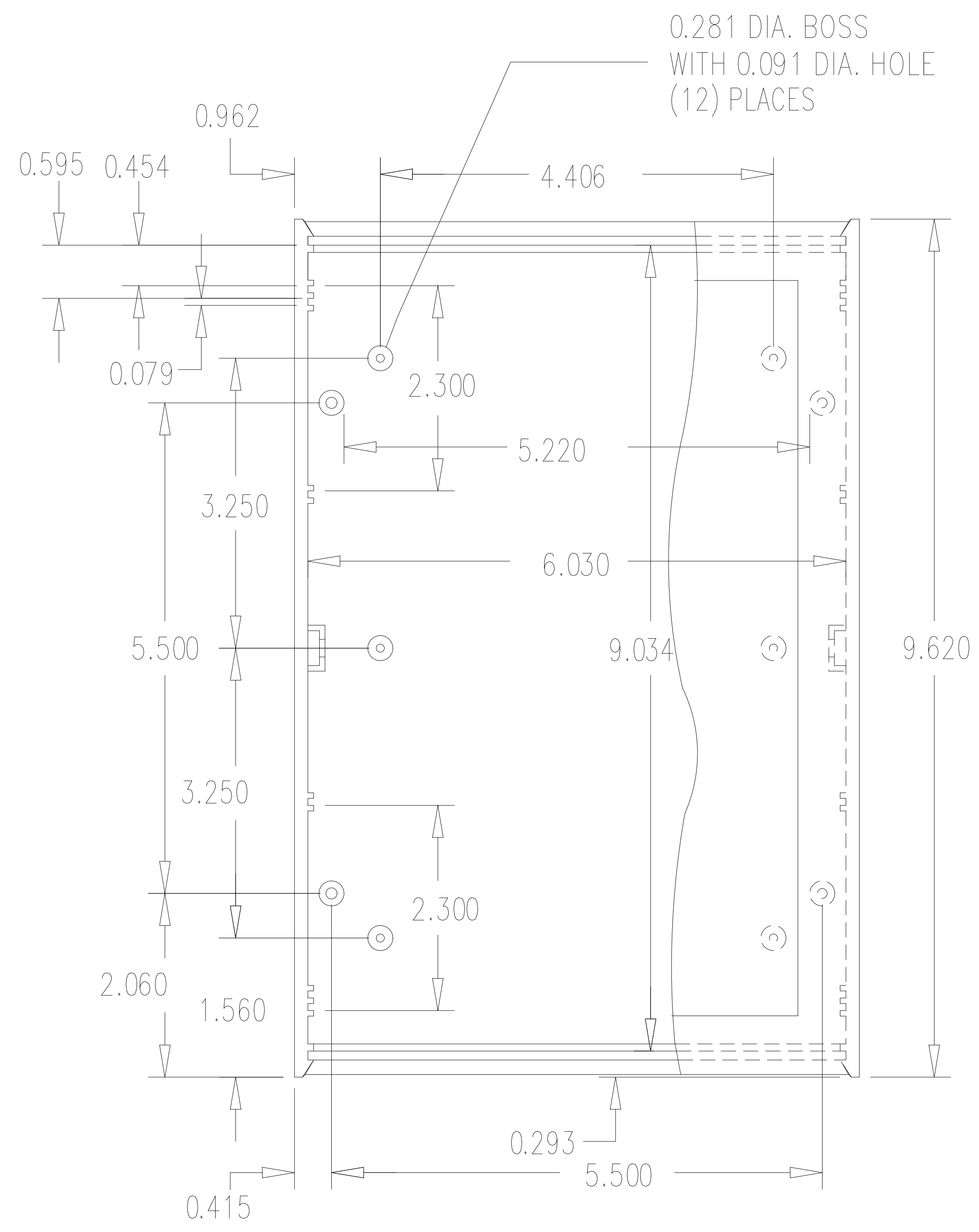
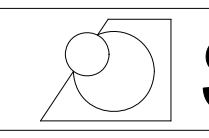


REVISIONS			
REV.	DESCRIPTION	DATE	APPROVED



UNLESS OTHERWISE SPECIFIED
DIMENSIONS ARE IN INCHES.
TOLERANCES ARE ±.015
UNLESS OTHERWISE STATED
ANGLES ±.5°
MATERIAL
ABS
FINISH
Texture
CAD GENERATED DRAWING
DO NOT UPDATE MANUALLY

INCLUDED HARDWARE		
Qty.	SCREWS	Qty. FEET
4	#4 x 1"	4

 **SIMCO**

150X69

SIZE: DRAWING NO. **D** REV.

SCALE: CAD FILE: SHEET OF

8 7 6 5 4 3 2 1

F
E
D
C
B
A

F
E
D
C
B
A

8 7 6 5 4 3 2 1