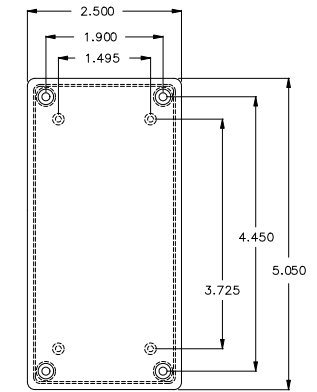
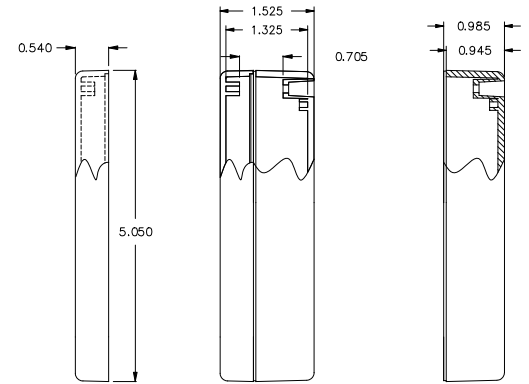
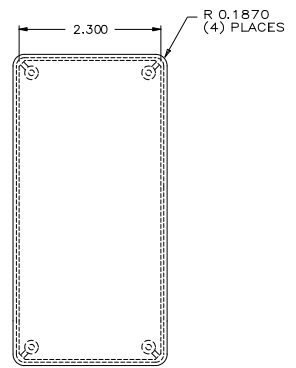
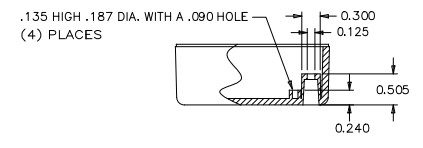
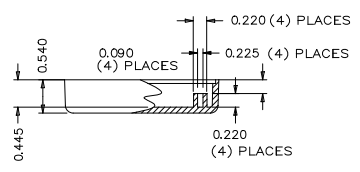


STANDARD INJECTION MOLDING COMPANY, INC.

REVISIONS			
REV.	DESCRIPTION	DATE	APPROVED
1	PRODUCTION RELEASE	04/26/08	ME

NOTES:
1.5 DEGREE DRAFT ON ALL SIDES



UNLESS OTHERWISE SPECIFIED DIMENSIONS ARE IN INCHES.				INCLUDED HARDWARE		UTILITY SERIES	
TOLERANCES ARE ± .015 UNLESS OTHERWISE STATED	QTY.	SCREWS	QTY.	FEET	SIMCO		REV.
ANGLES 1.5°	(4)	#4 X 1	--	--	150X25		A
MATERIAL ABS							
FINISH Texture					SIZE DRAWING NO. ME150X23S		
CAD GENERATED DRAWING DO NOT UPDATE MANUALLY					SCALE: EAO FILE: 150X23.DOC		SHEET 1 OF 1