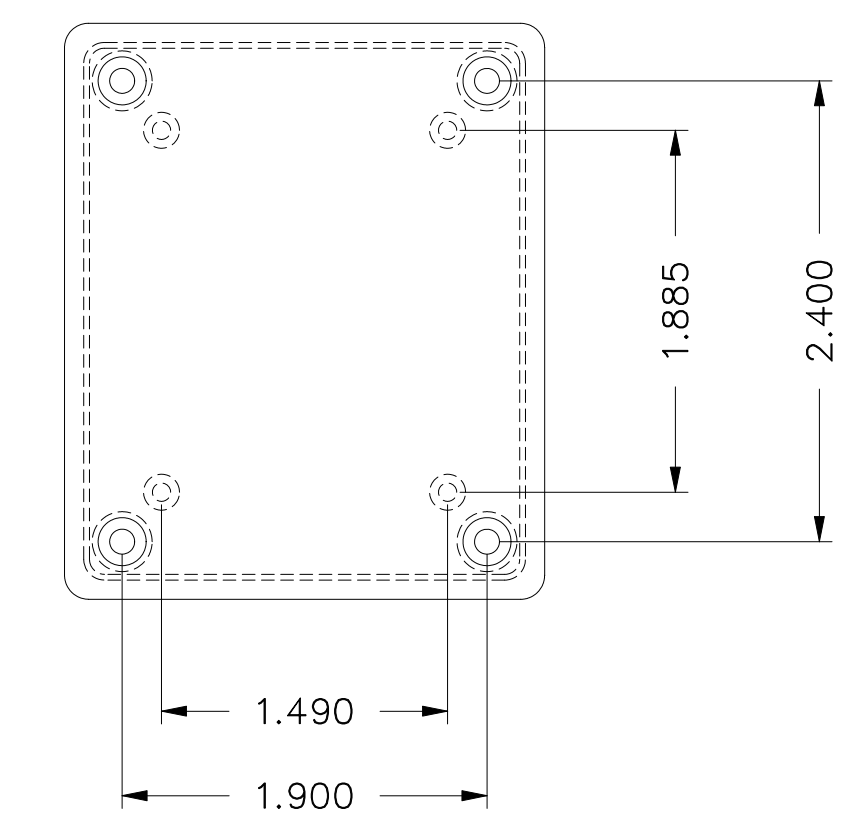
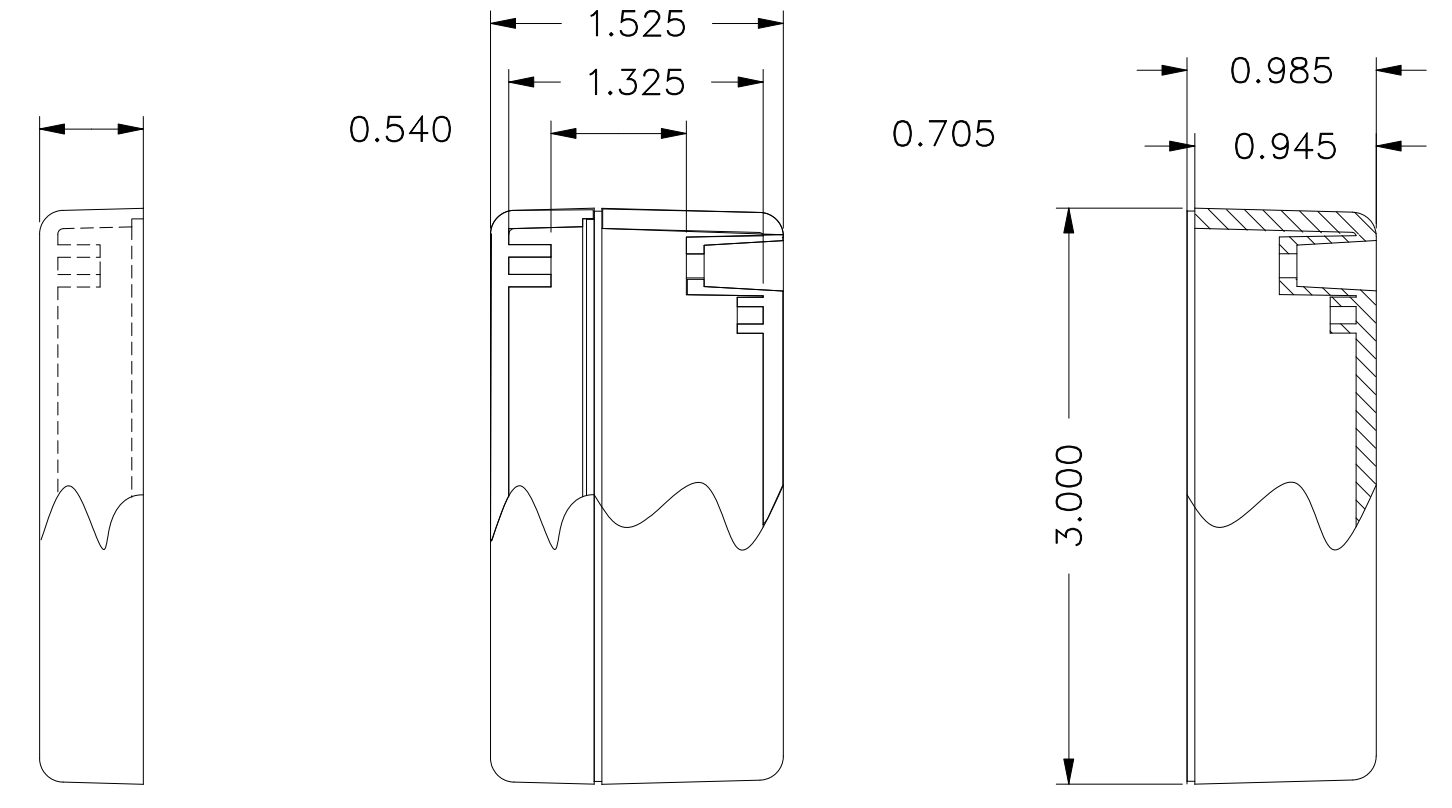
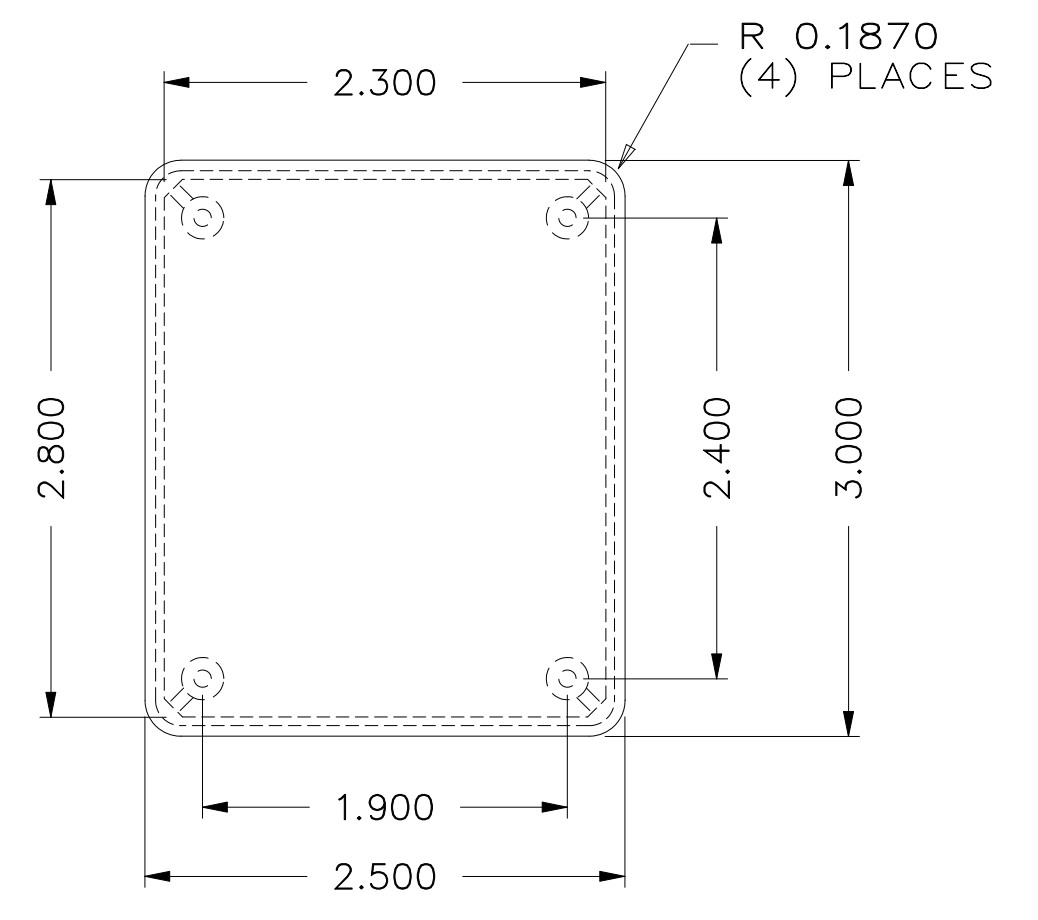
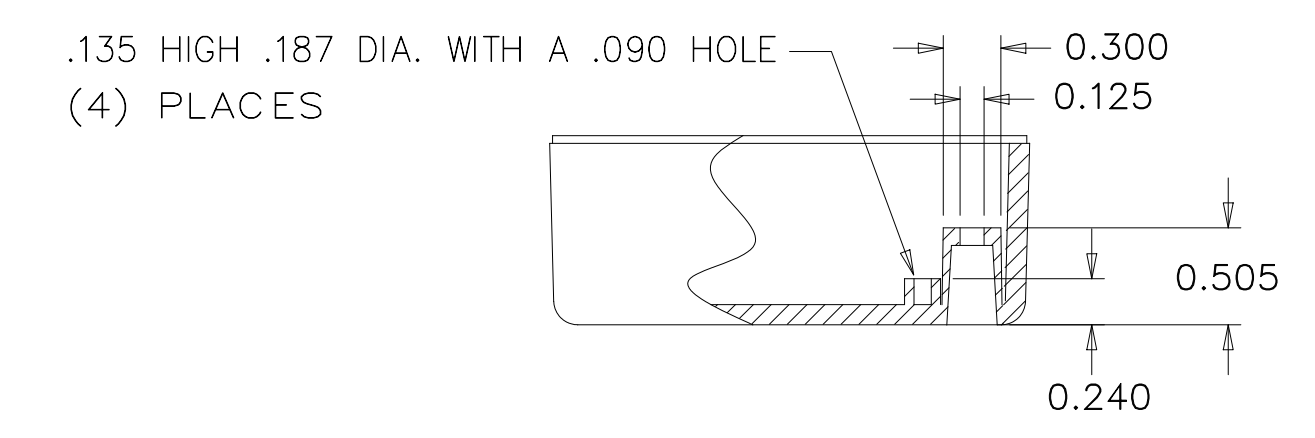
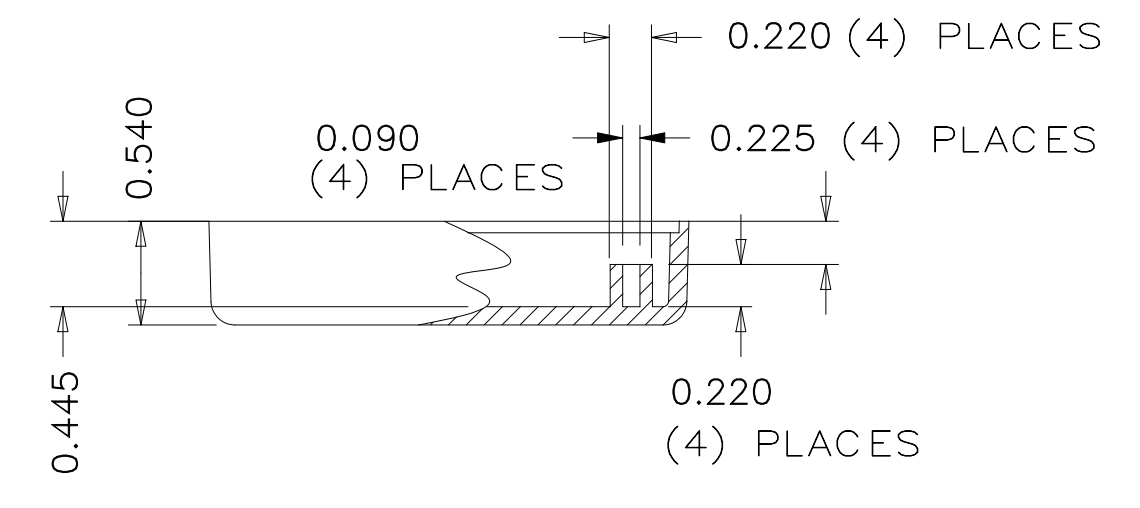


STANDARD INJECTION MOLDING COMPANY, INC

REVISIONS			
REV.	DESCRIPTION	DATE	APPROVED
A	PRODUCTION RELEASE	06/28/06	MKE

NOTES:
1.5 DEGREE DRAFT ON ALL SIDES



UNLESS OTHERWISE SPECIFIED
DIMENSIONS ARE IN INCHES.
TOLERANCES ARE ± .015
UNLESS OTHERWISE STATED
ANGLES ± 5°
MATERIAL
ABS
FINISH
Texture
CAD GENERATED DRAWING
DO NOT UPDATE MANUALLY

INCLUDED HARDWARE			
Qty.	SCREWS	Qty.	FEET
(4)	#4 x 1	---	---

UTILITY SERIES

150X23

SIZE	DRAWING NO.	REV.
D	ME150X23S	A
SCALE:	CAD FILE:	SHEET
	150X23.DC	1 OF 1