

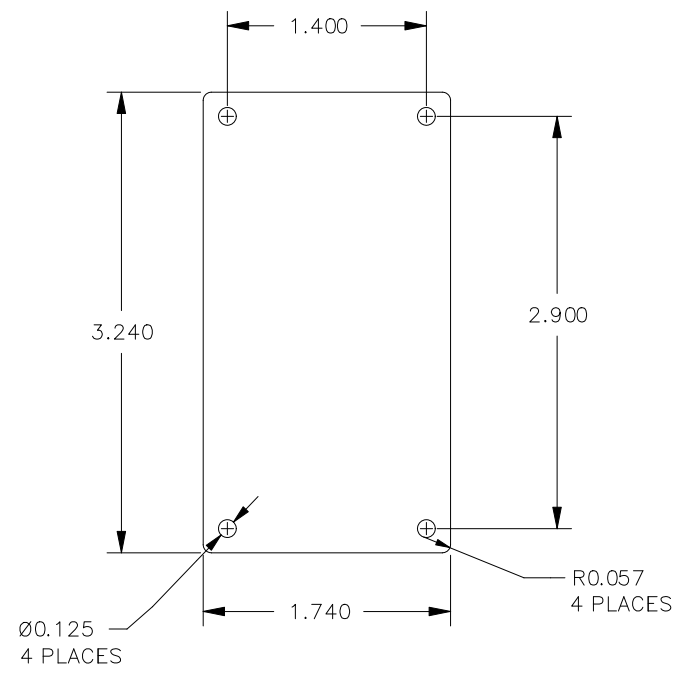
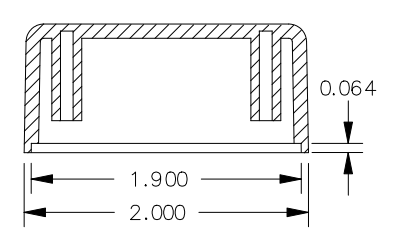
8 7 6 5 4 3 2 1

STANDARD INJECTION MOLDING COMPANY, INC.®

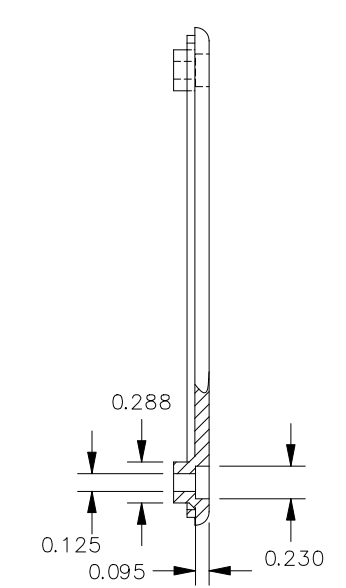
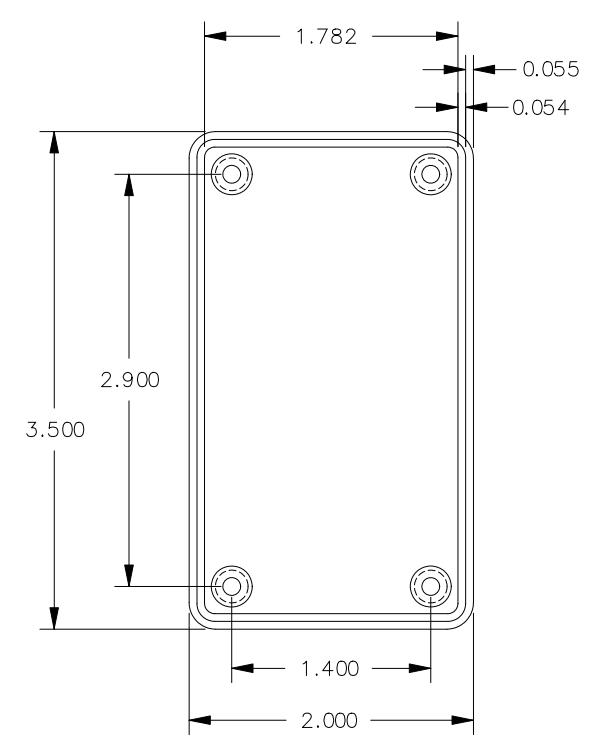
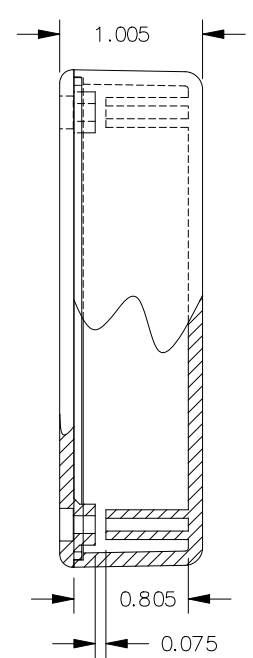
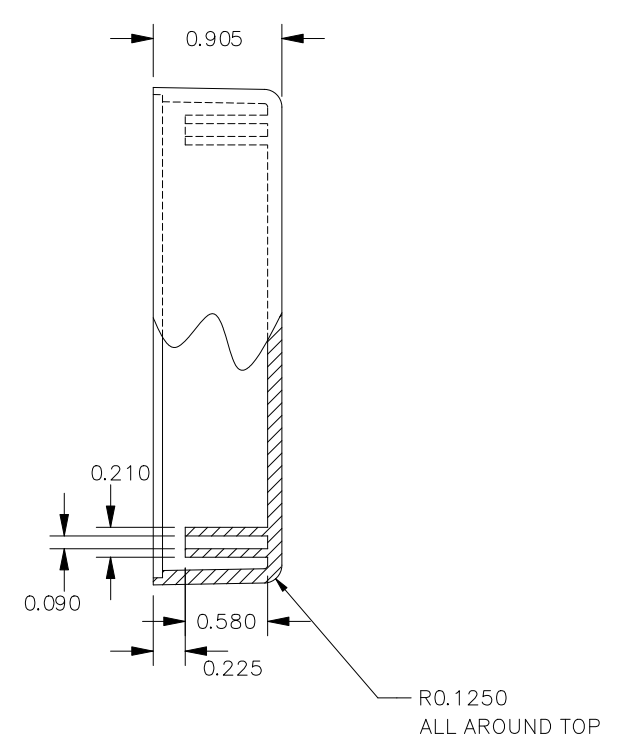
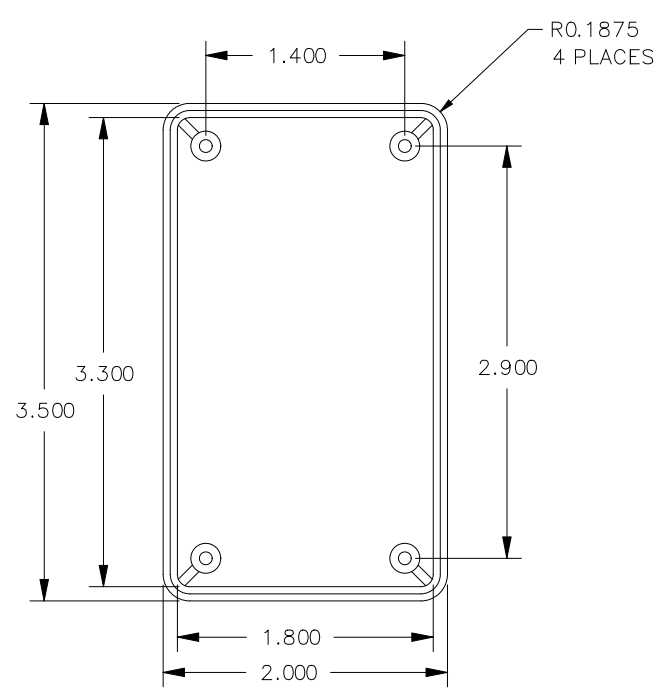
REVISIONS			
REV.	DESCRIPTION	DATE	APPROVED
	PRODUCTION RELEASE	2/26/14	

F
E
D
C
B
A

F
E
D
C
B
A



CURCUIT BOARD LAYOUT



NOTES:
TYPICAL WALL THICKNES .100
1 DEGREE DRAFT ON ALL SIDES

UNLESS OTHERWISE SPECIFIED
DIMENSIONS ARE IN INCHES.
TOLERANCES ARE ± .015
UNLESS OTHERWISE STATED
ANGLES ± .5°
MATERIAL
ABS
FINISH
Texture
CAD GENERATED DRAWING
DO NOT UPDATE MANUALLY

INCLUDED HARDWARE			
Qty.	SCREWS	Qty.	FEET
4	#4X5/8"		

SIMCO
100X235

SIZE DRAWING NO. **D** REV.
SCALE: CAD FILE: SHEET OF

8 7 6 5 4 3 2 1