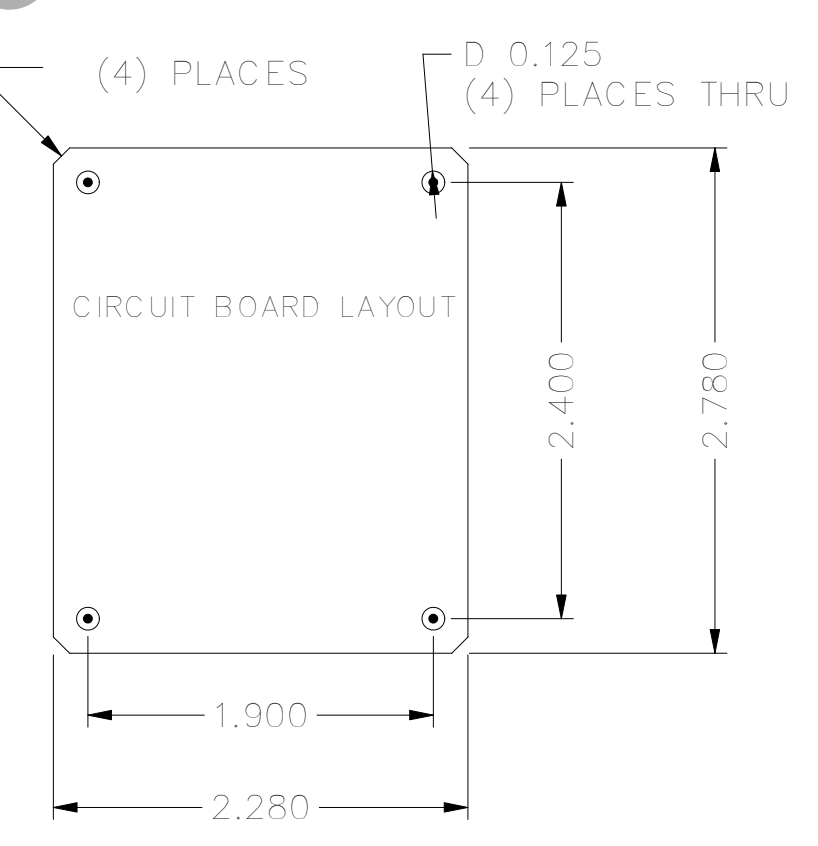
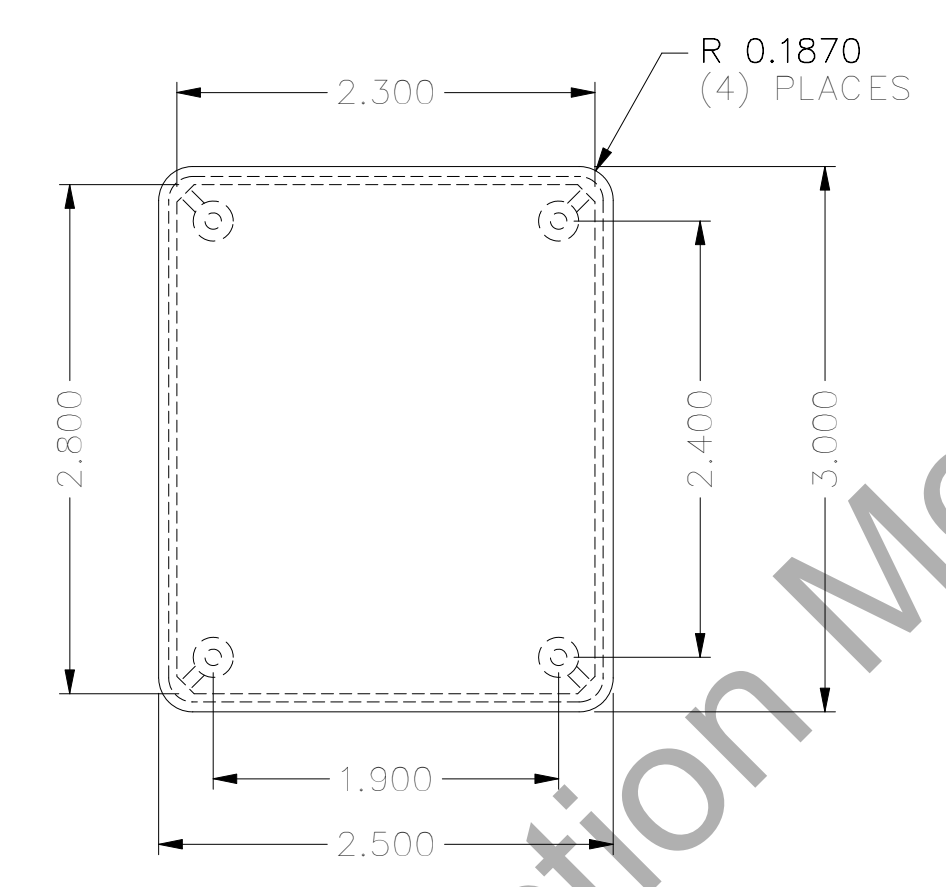
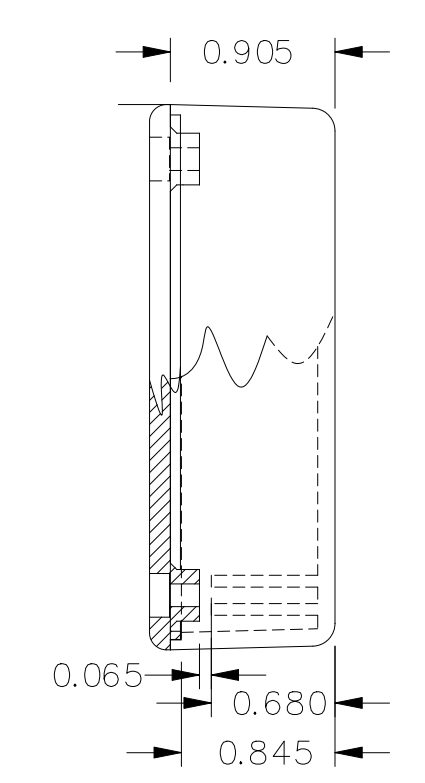
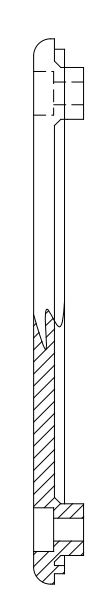
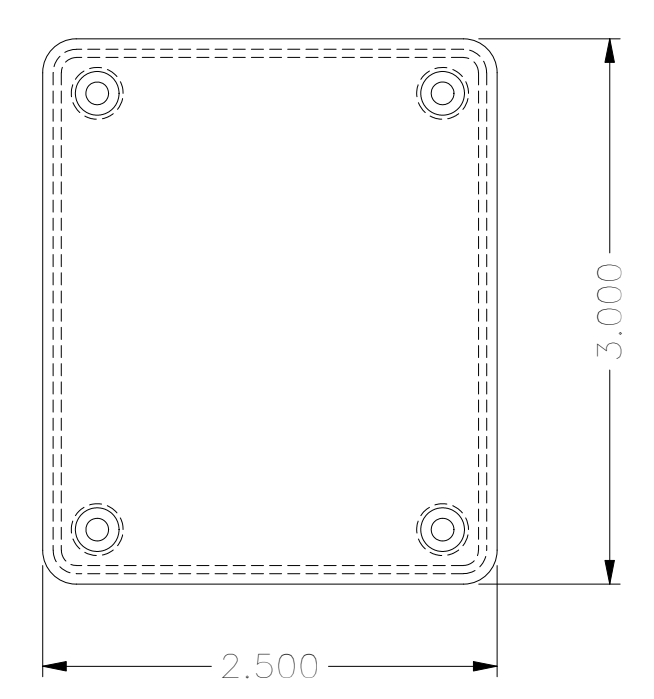
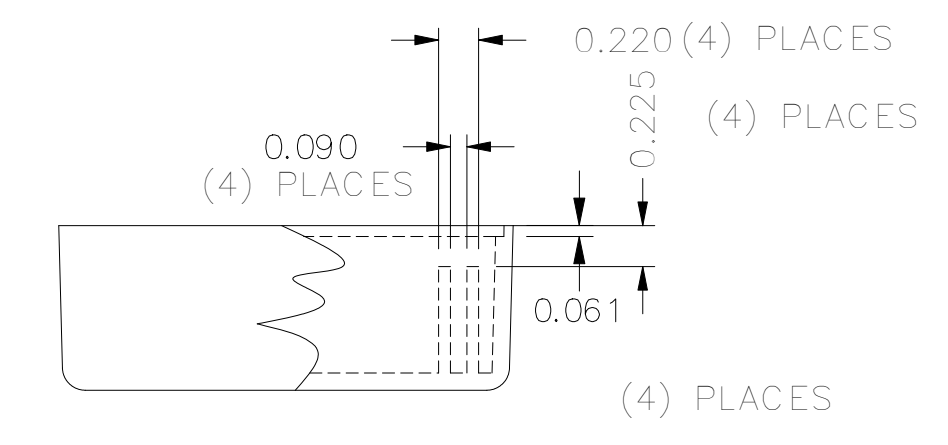
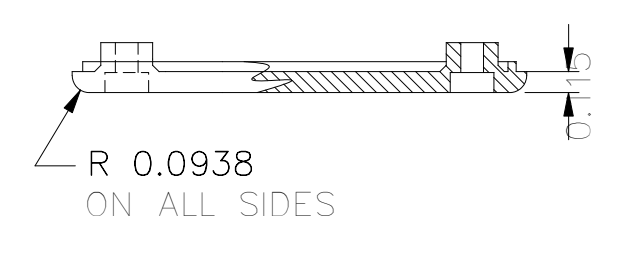


REVISIONS			
REV.	DESCRIPTION	DATE	APPROVED
A	PRODUCTION RELEASE		

NOTES:
1.5° ON ALL SIDES



Standard Injection Molding Company, Inc

UNLESS OTHERWISE SPECIFIED DIMENSIONS ARE IN INCHES.				INCLUDED HARDWARE		UTILITY SERIES	
TOLERANCES ARE ±.015 UNLESS OTHERWISE STATED	Qty.	SCREWS	Qty., FEET			SIMCO	
ANGLES ±.5°	4	#4 X 9/16				100X23	
MATERIAL ABS							
FINISH Texture							
CAD GENERATED DRAWING DO NOT UPDATE MANUALLY						SIZE DRAWING NO. D SCALE: CAD FILE: SHEET 1 OF 1	

