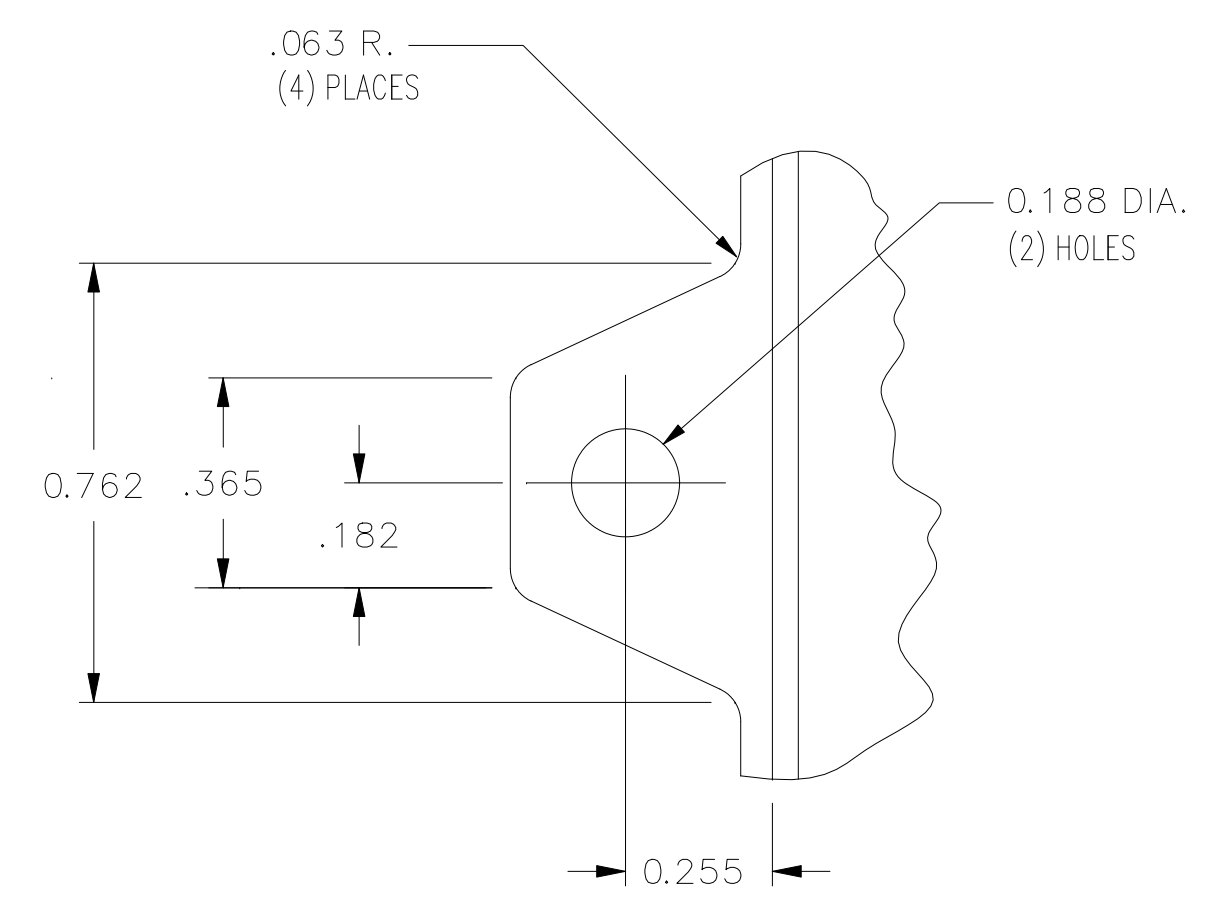
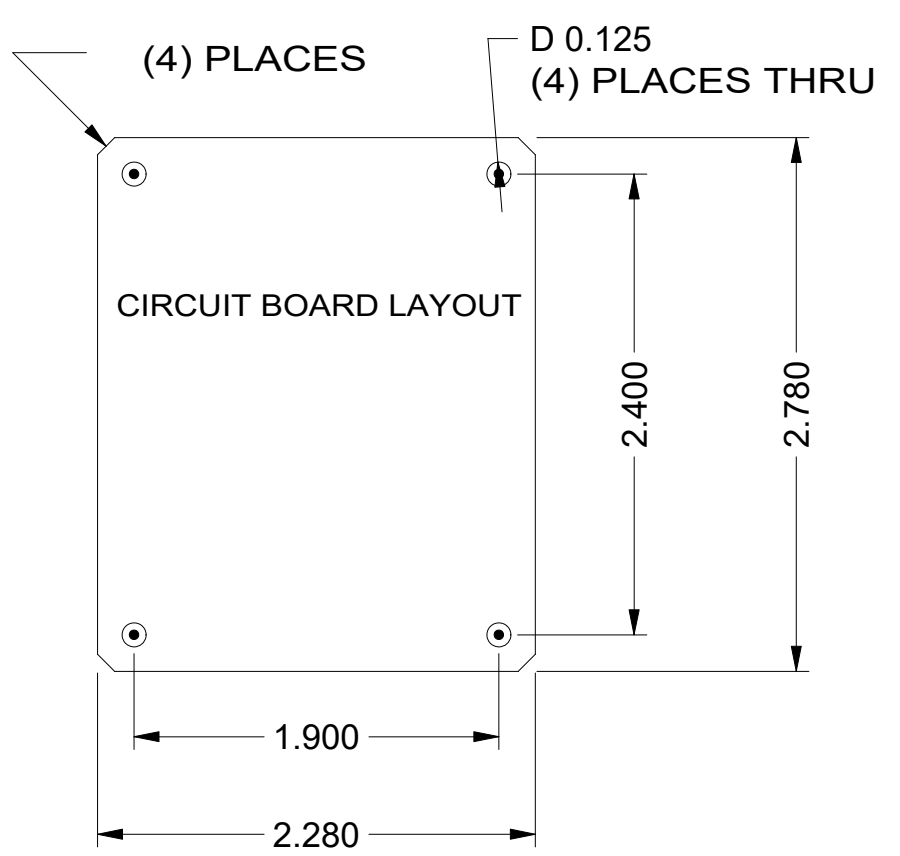
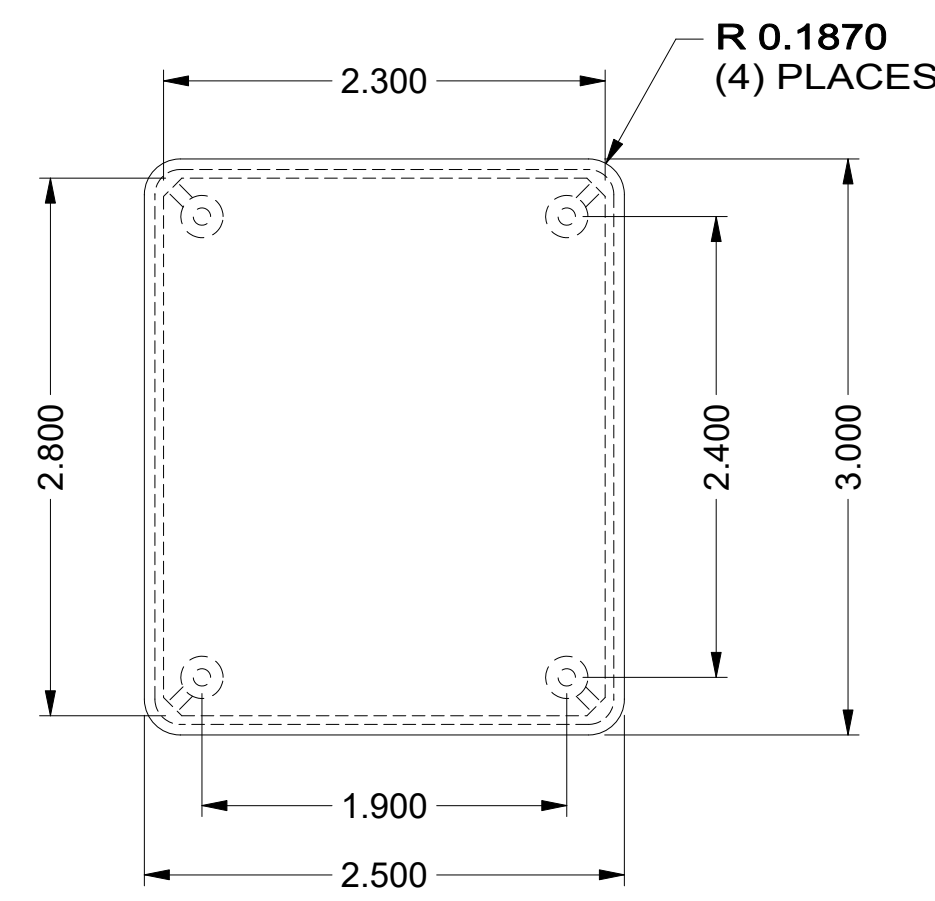
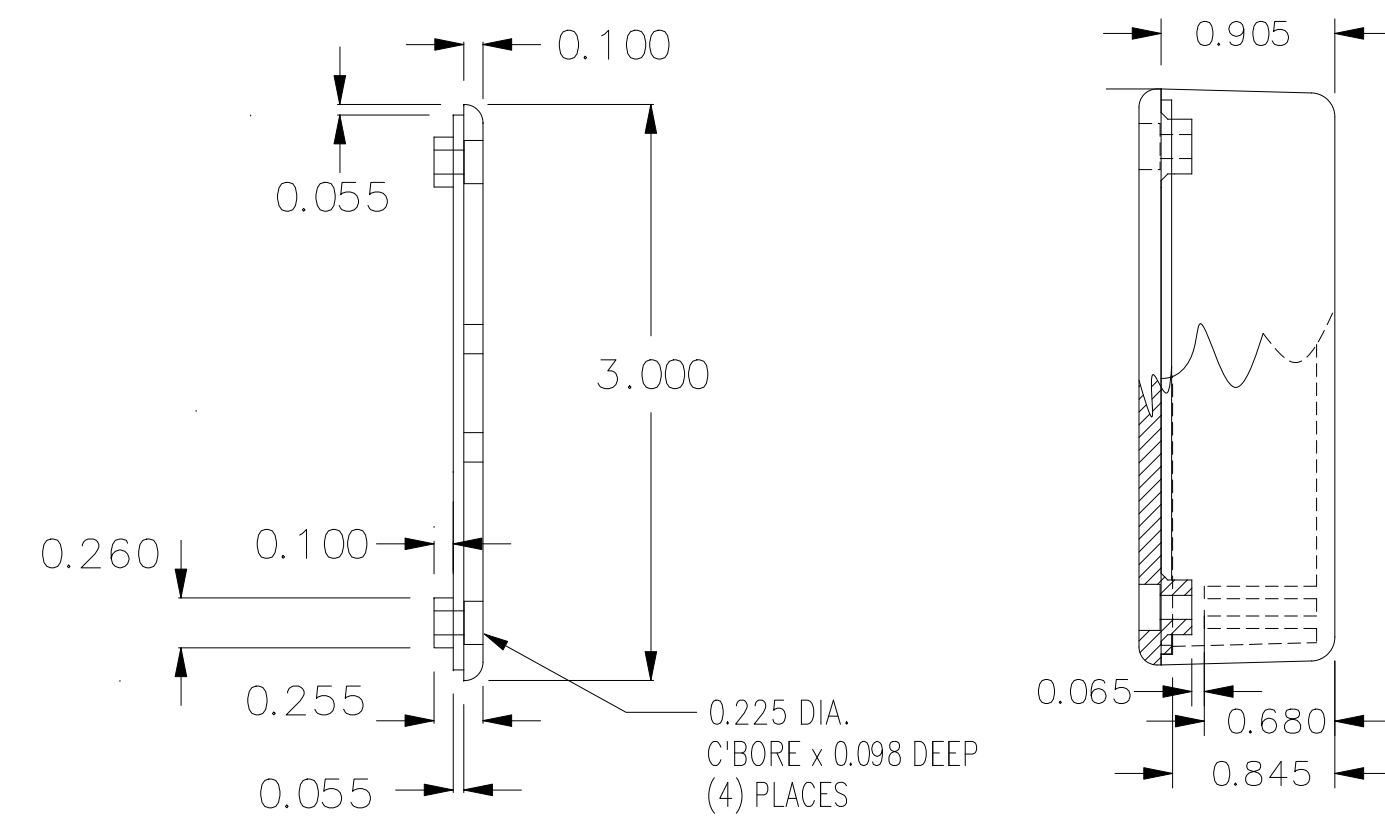
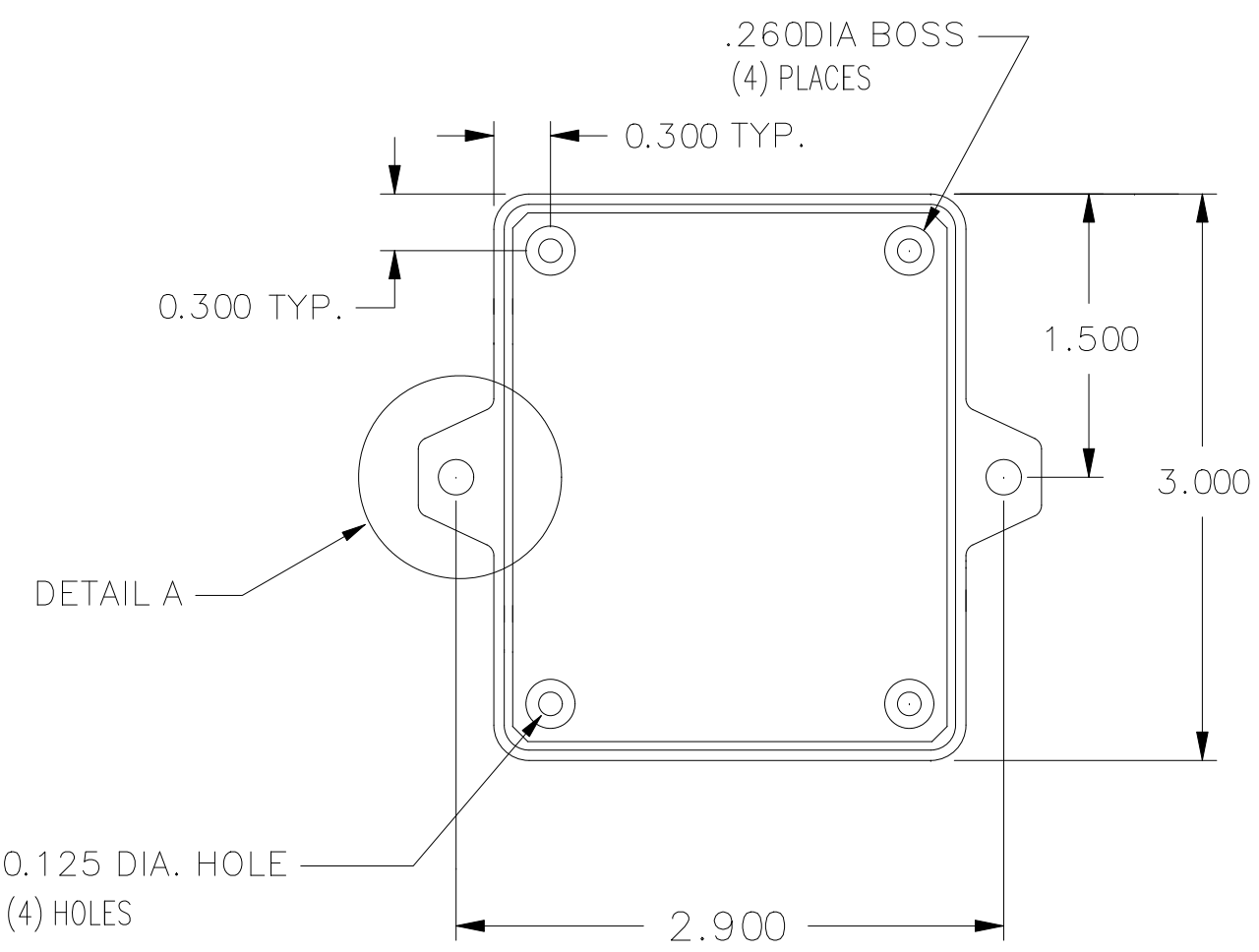
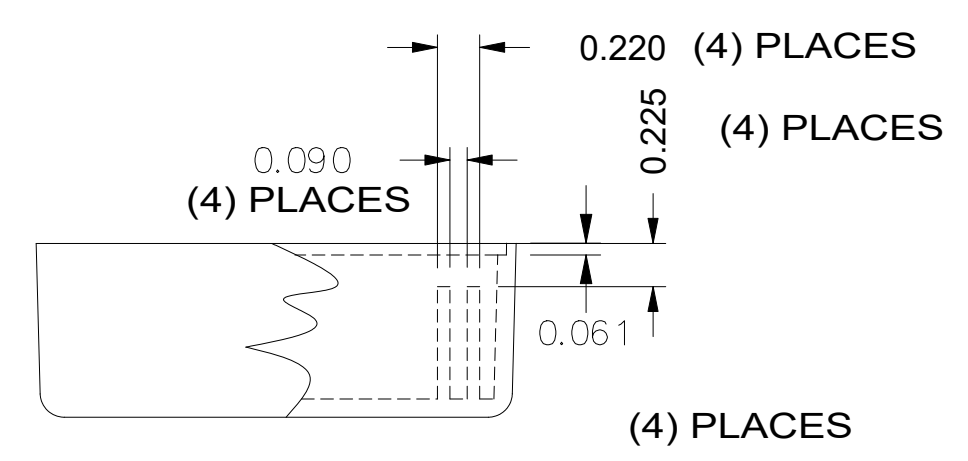
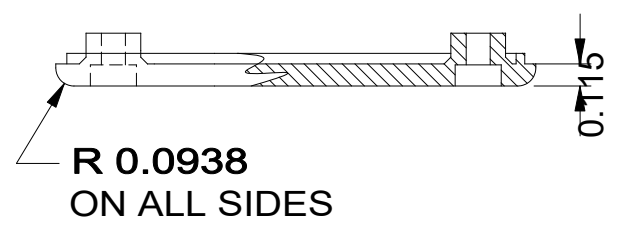


STANDARD INJECTION MOLDING COMPANY, INC.®

| REVISIONS |                    |      |          |
|-----------|--------------------|------|----------|
| REV.      | DESCRIPTION        | DATE | APPROVED |
| A         | PRODUCTION RELEASE |      |          |
|           |                    |      |          |
|           |                    |      |          |

NOTES:  
1.5° ON ALL SIDES



| UNLESS OTHERWISE SPECIFIED DIMENSIONS ARE IN INCHES. |      | INCLUDED HARDWARE |            | UTILITY SERIES        |                        |
|--|------|-------------------|------------|-----------------------|------------------------|
| TOLERANCES ARE ± .015 UNLESS OTHERWISE STATED        | Qty. | SCREWS            | Qty., FEET | SIMCO                 |                        |
| ANGLES ± .5°   | 4    | #4 X 9/16         |            | <b>100X23/M</b>       |                        |
| MATERIAL<br>ABS                                      |      |                   |            |                       |                        |
| FINISH<br>Texture                                    |      |                   |            | SIZE DRAWING NO.<br>D | REV.<br>A              |
| CAD GENERATED DRAWING<br>DO NOT UPDATE MANUALLY      |      |                   |            | SCALE:                | CAD FILE: SHEET 1 OF 1 |