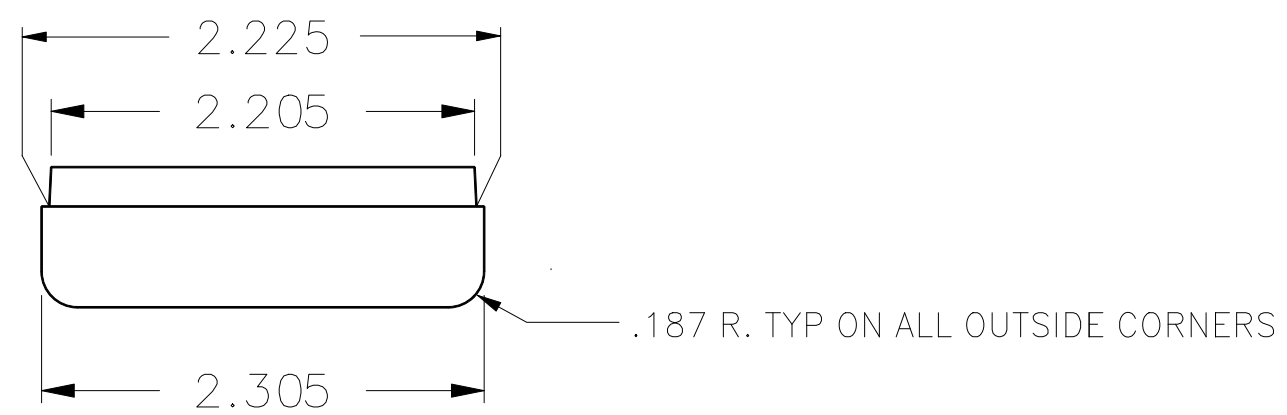
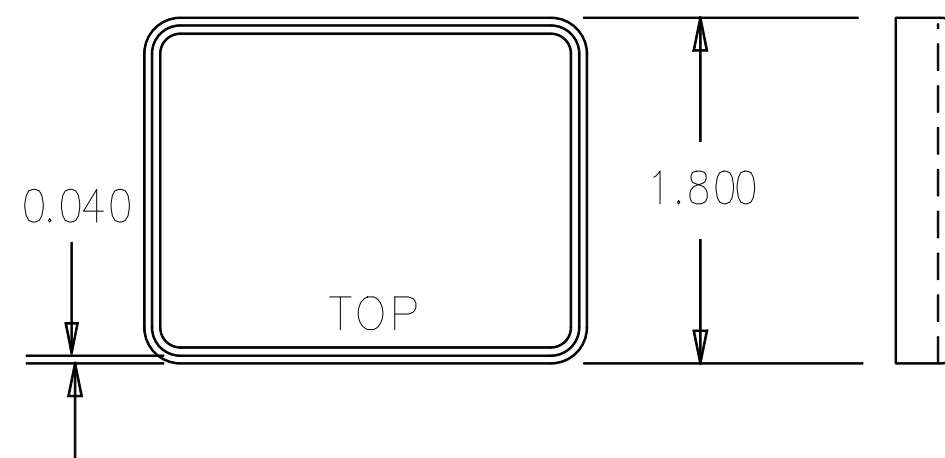
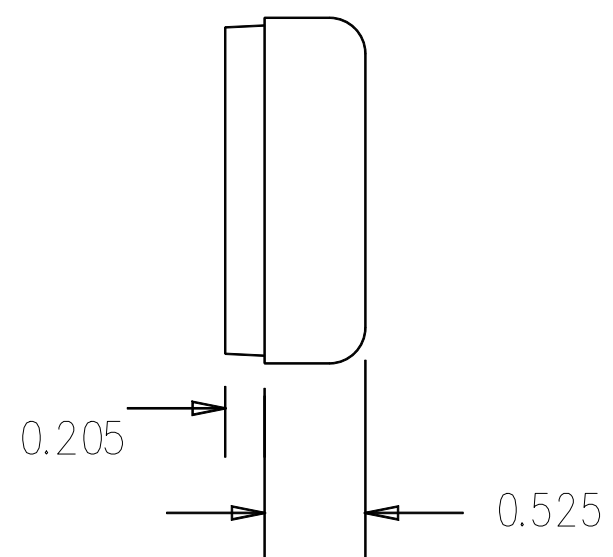
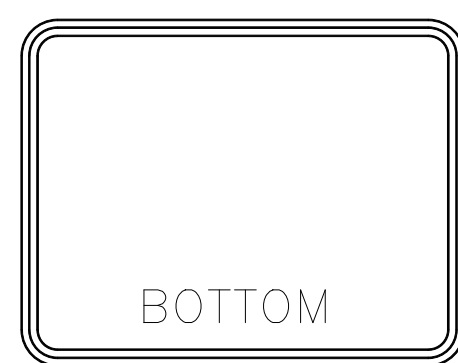
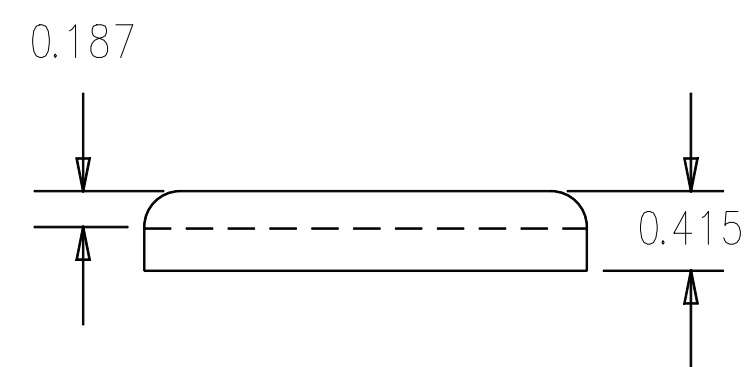
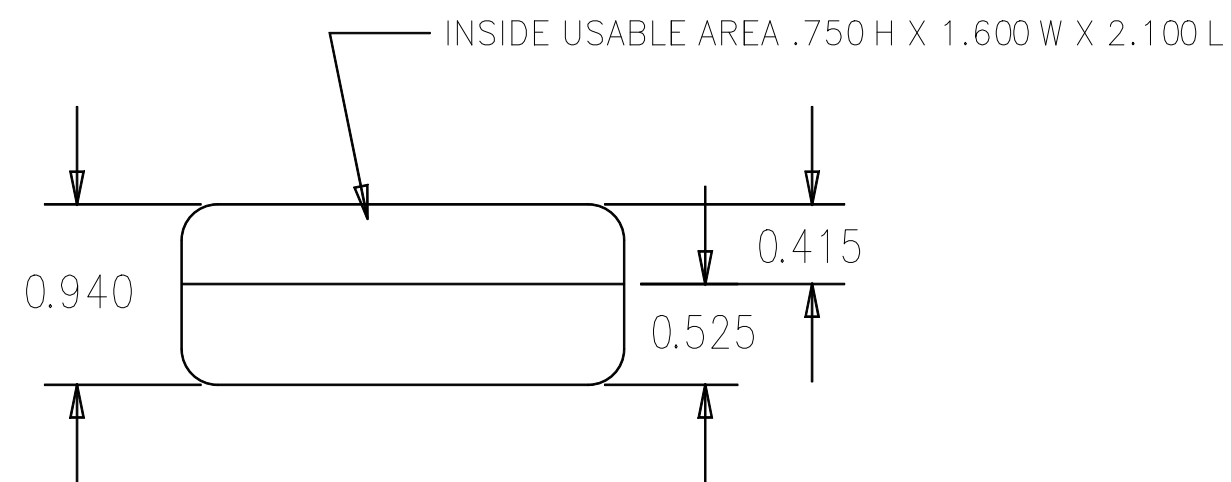


REVISIONS			
REV.	DESCRIPTION	DATE	APPROVED
A	REDRAWN	04/22/98	



NOTES:
 .109 R. ON ALL INSIDE CORNERS
 .085 TYP. WALL THICKNESS

UNLESS OTHERWISE SPECIFIED DIMENSIONS ARE IN INCHES.	INCLUDED HARDWARE		 100X22
	Qty.	SCREWS	
TOLERANCES ARE ± .015 UNLESS OTHERWISE STATED			
ANGLES ± .5°			
MATERIAL ABS			
FINISH Texture			
CAD GENERATED DRAWING DO NOT UPDATE MANUALLY			

SIZE DRAWING NO. 100X22 REV. A
 SCALE: 1:1 CAD FILE: 100X22.DC SHEET 1 OF 1