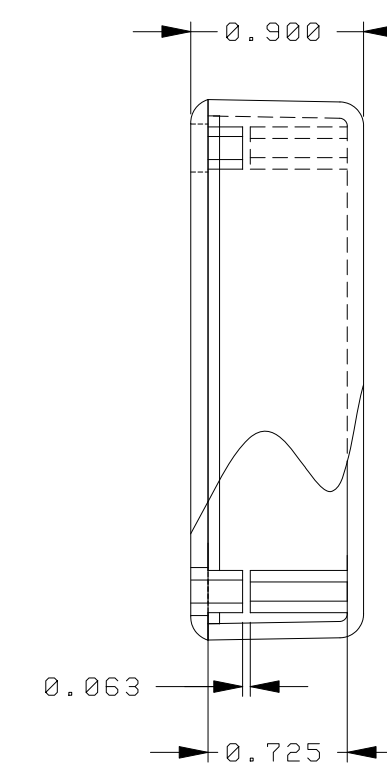
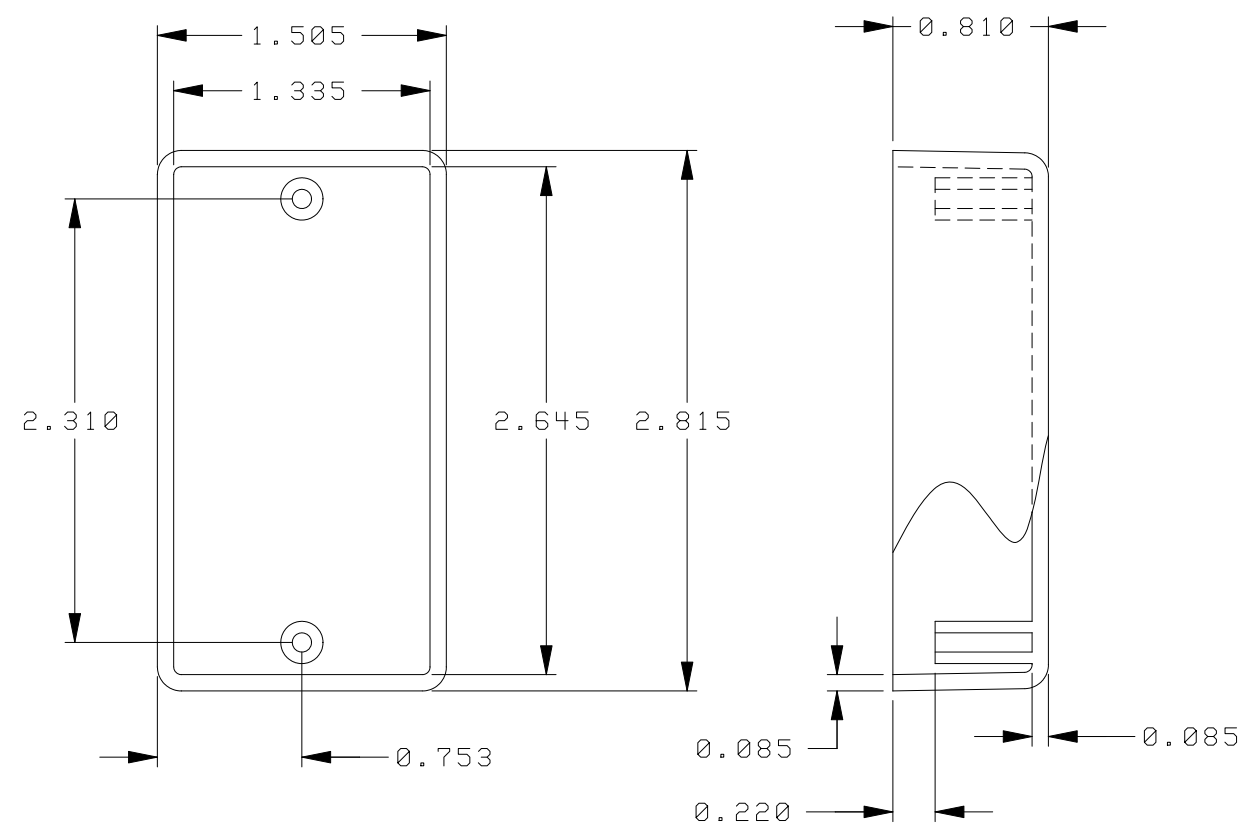
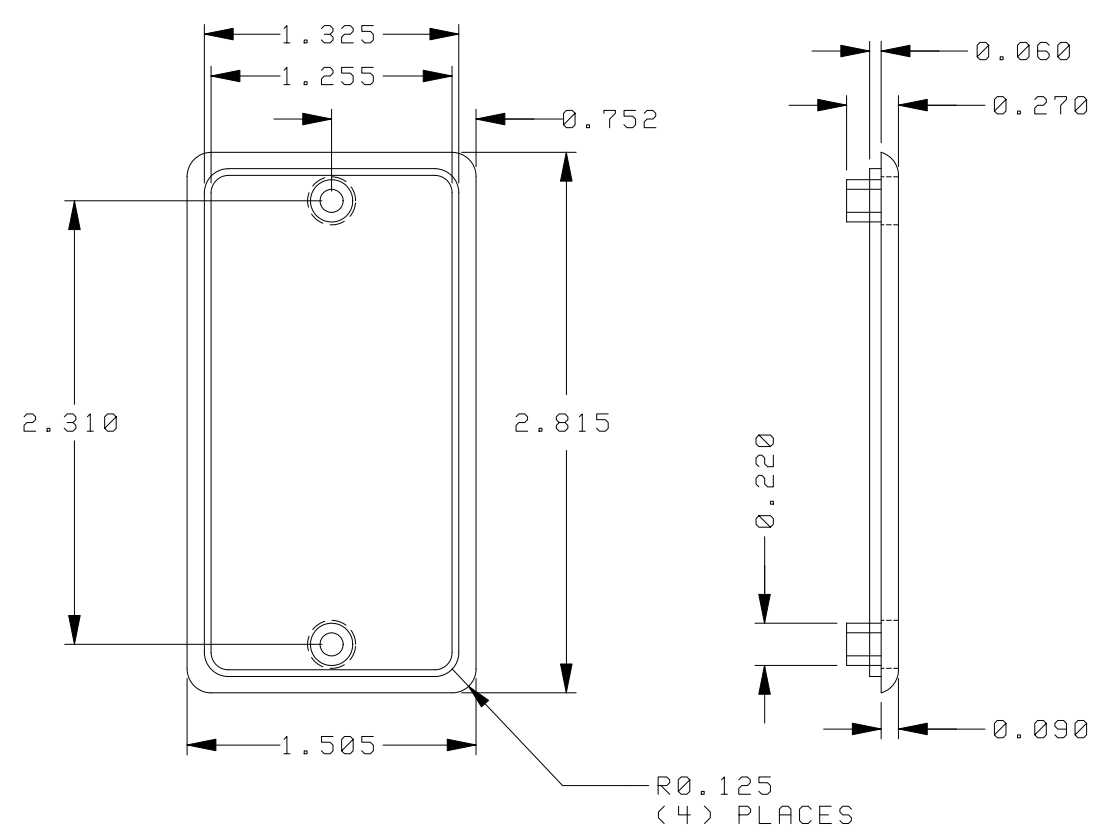
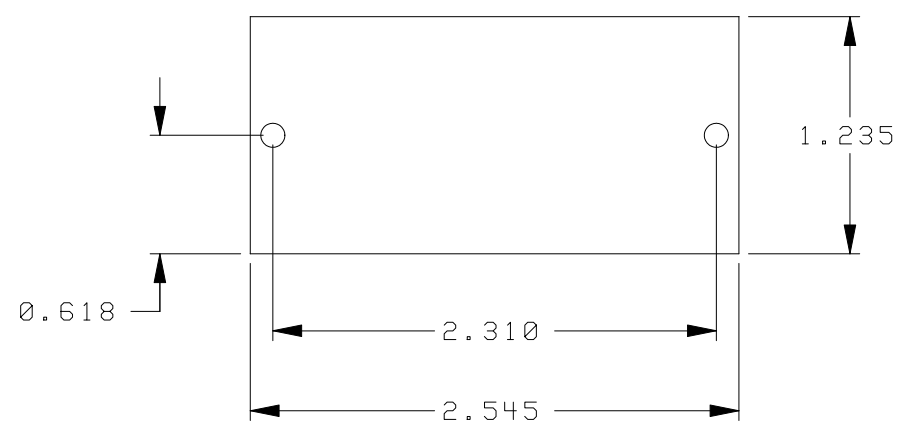


REVISIONS			
REV.	DESCRIPTION	DATE	APPROVED
	PRODUCTION RELEASE	02/26/09	



CIRCUIT BOARD LAYOUT



UNLESS OTHERWISE SPECIFIED  
DIMENSIONS ARE IN INCHES.  
TOLERANCES ARE ±.015  
UNLESS OTHERWISE STATED  
ANGLES ±.5°  
MATERIAL  
ABS  
FINISH  
Texture  
CAD GENERATED DRAWING  
DO NOT UPDATE MANUALLY

INCLUDED HARDWARE			
Qty.	SCREWS	Qty.	FEET
2	#4X9/16		

**SIMCO**  
**090X13**

SIZE DRAWING NO. 090X13  
D  
SCALE: CAD FILE: 090X13.DCD SHEET 1 OF 1