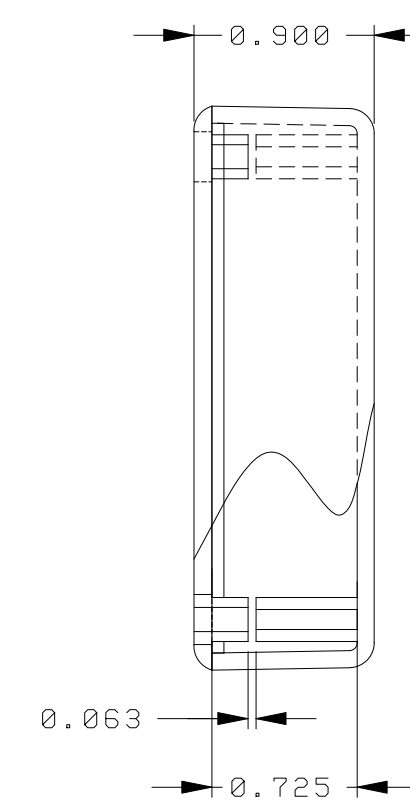
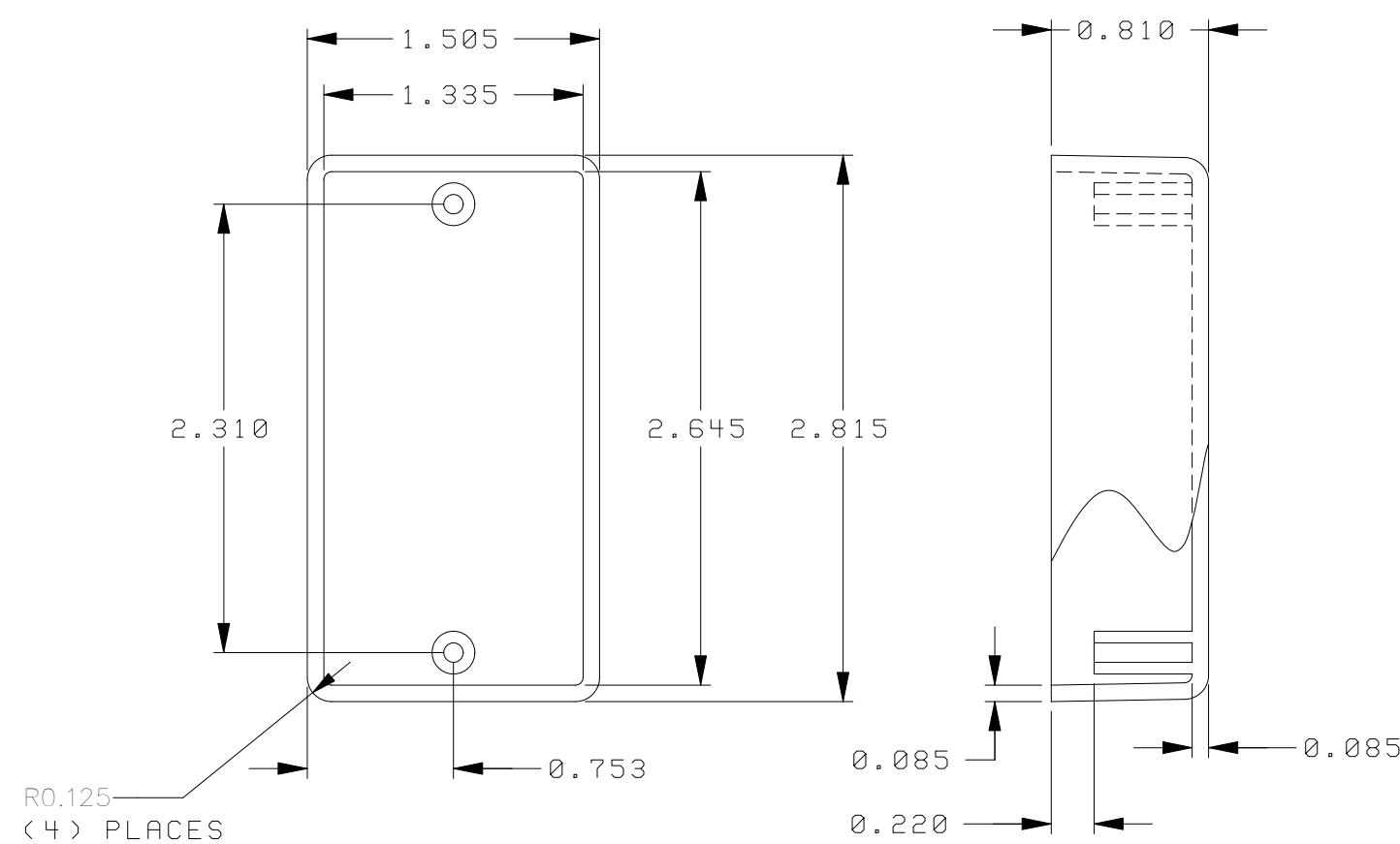
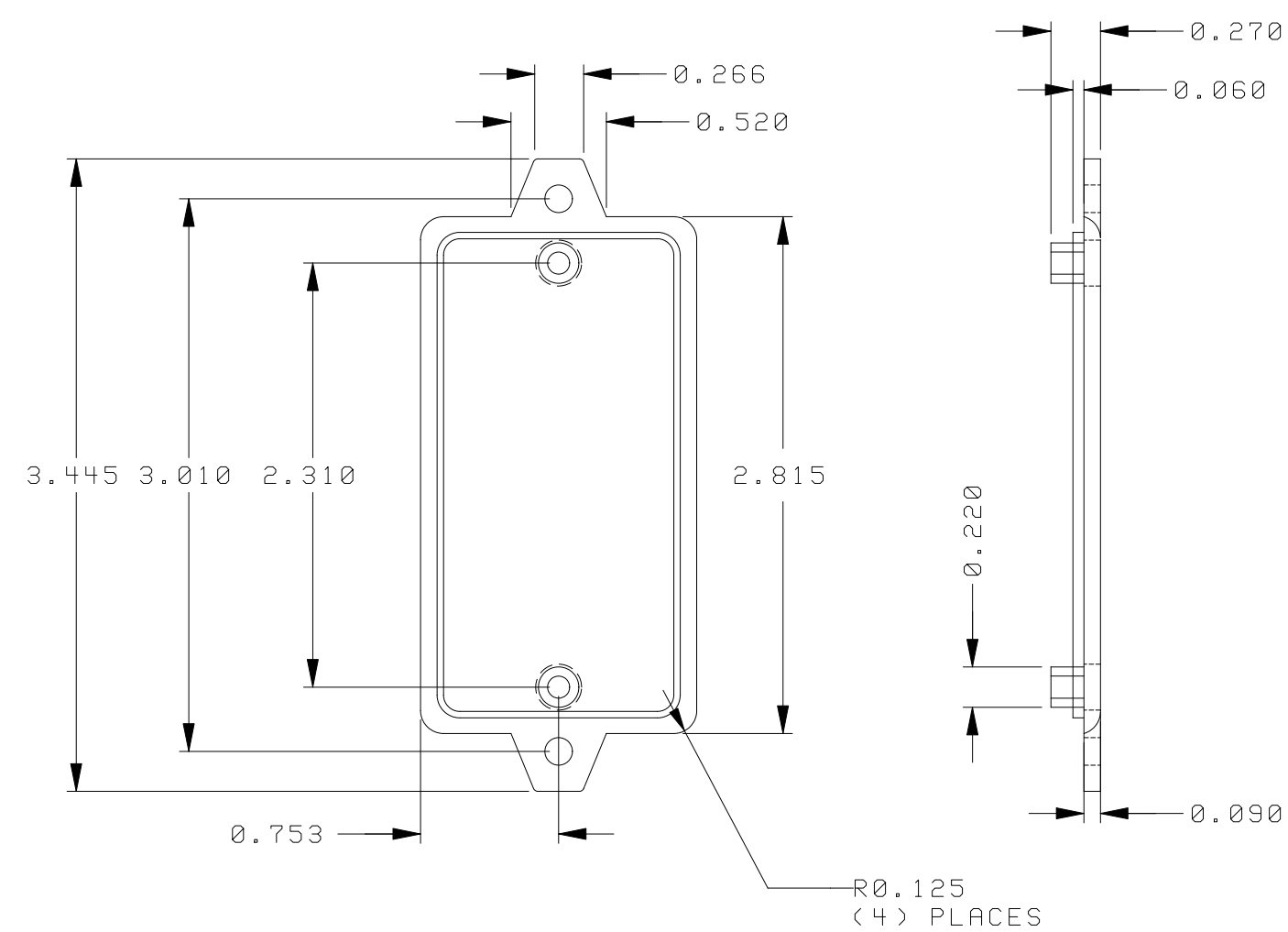
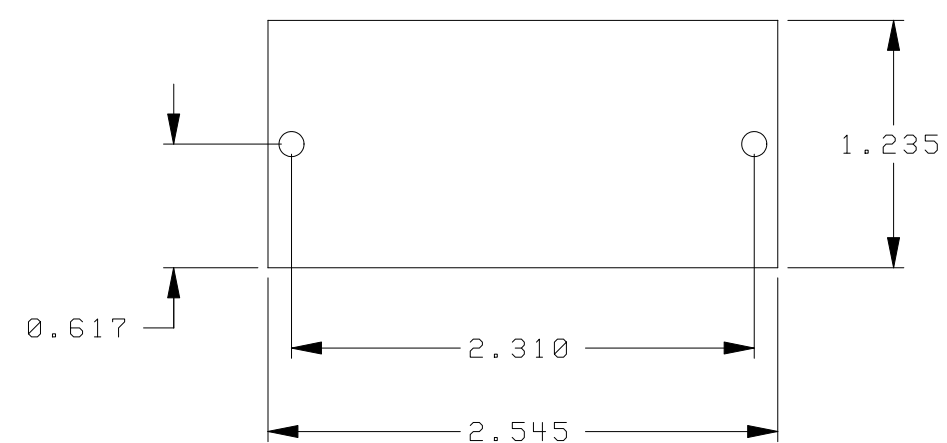


STANDARD INJECTION MOLDING COMPANY, INC.®

REVISIONS			
REV.	DESCRIPTION	DATE	APPROVED
	PRODUCTION RELEASE	02/26/09	



CIRCUIT BOARD LAYOUT



UNLESS OTHERWISE SPECIFIED  
DIMENSIONS ARE IN INCHES.  
TOLERANCES ARE ±.015  
UNLESS OTHERWISE STATED  
ANGLES ±.5°  
MATERIAL ABS  
FINISH Texture  
CAD GENERATED DRAWING  
DO NOT UPDATE MANUALLY

INCLUDED HARDWARE			
Qty.	SCREWS	Qty.	FEET
2	#4X9/16		

 **SIMCO**

# 090X13/M

SIZE DRAWING NO. 090X13  
D  
SCALE: CAD FILE: 090X13.DCD SHEET 1 OF 1

8

7

6

5

4

3

2

1

F

E

D

C

B

A

8

7

6

5

4

3

2

1

F

E

D

C

B

A