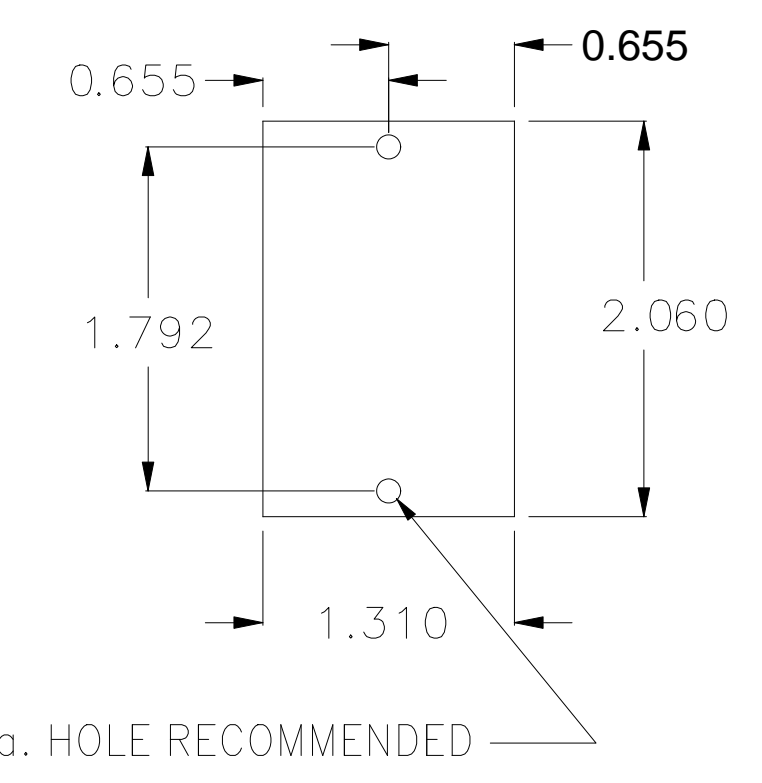
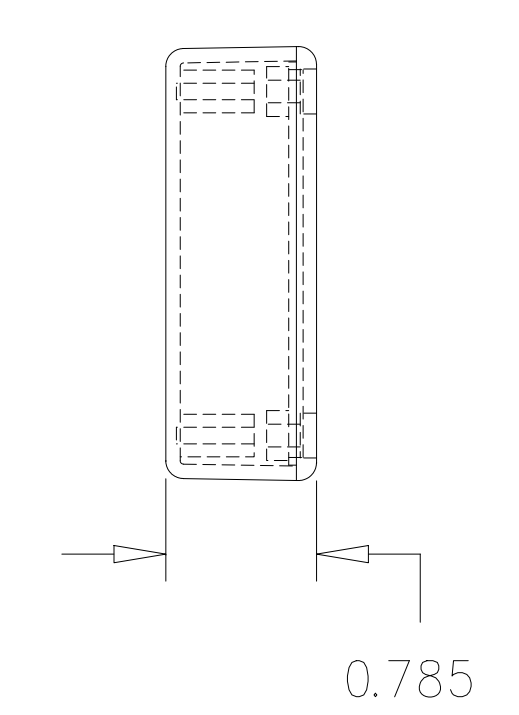
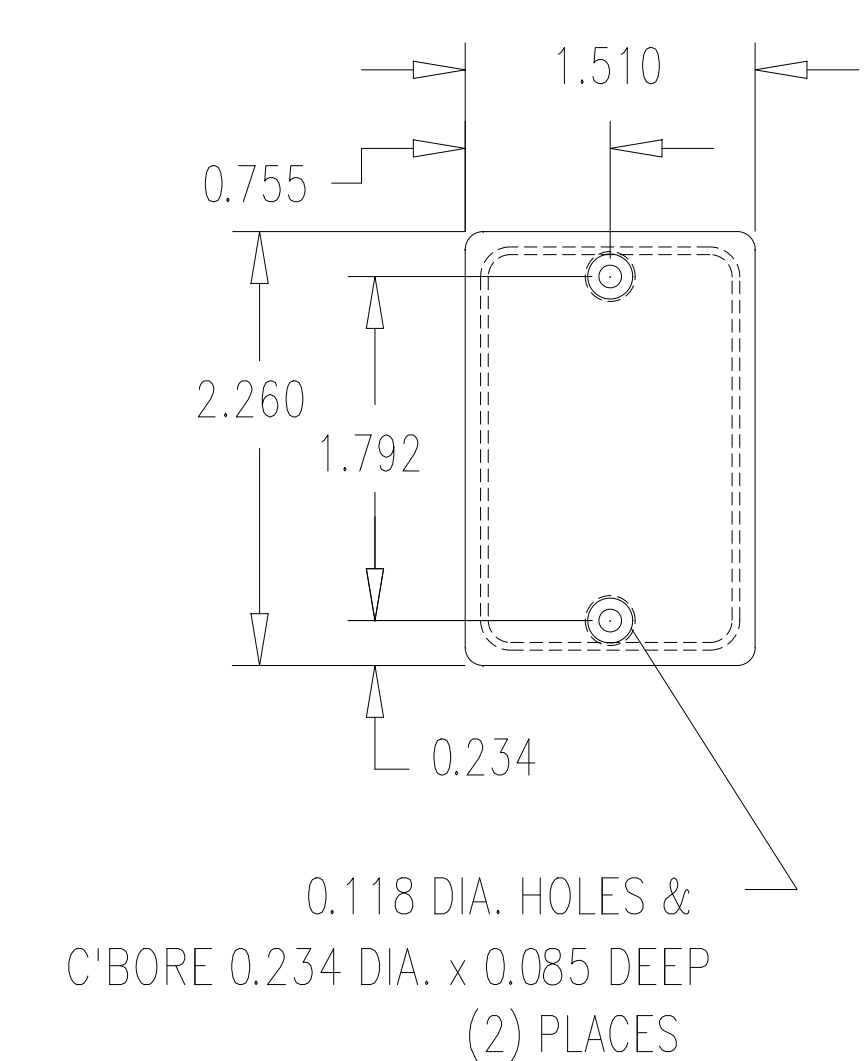
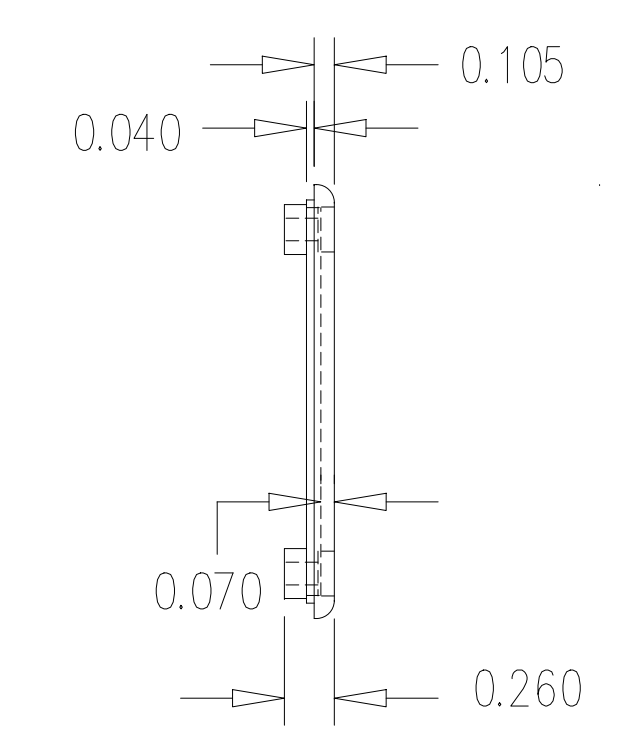
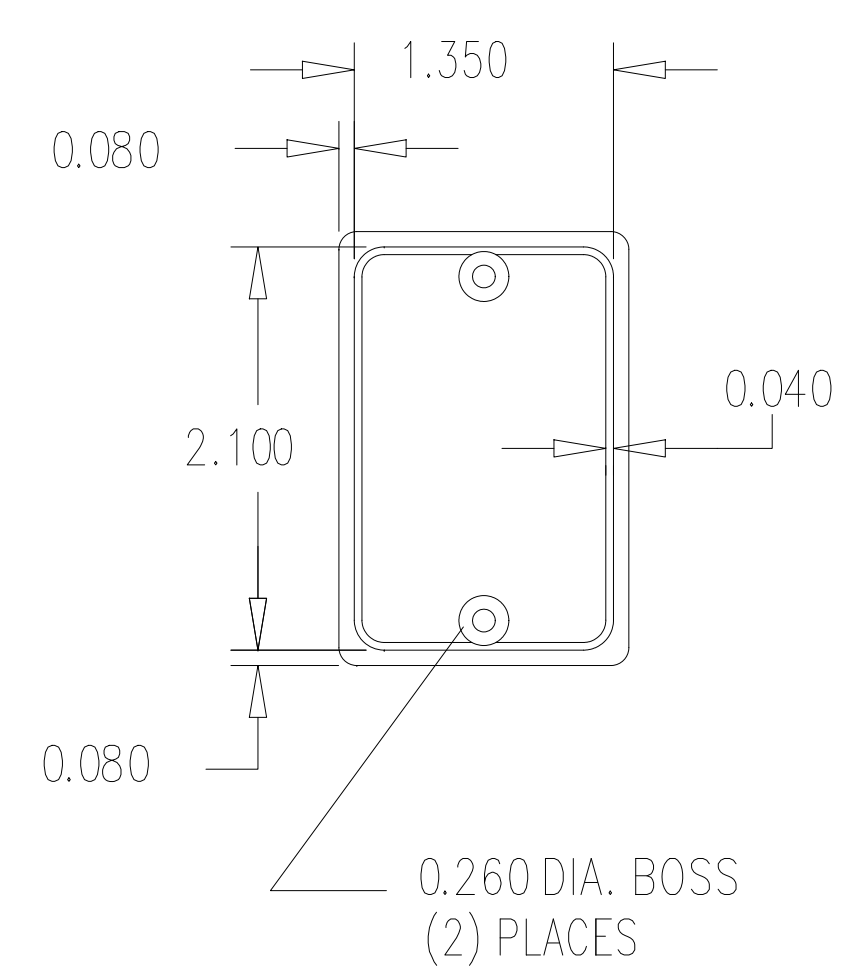
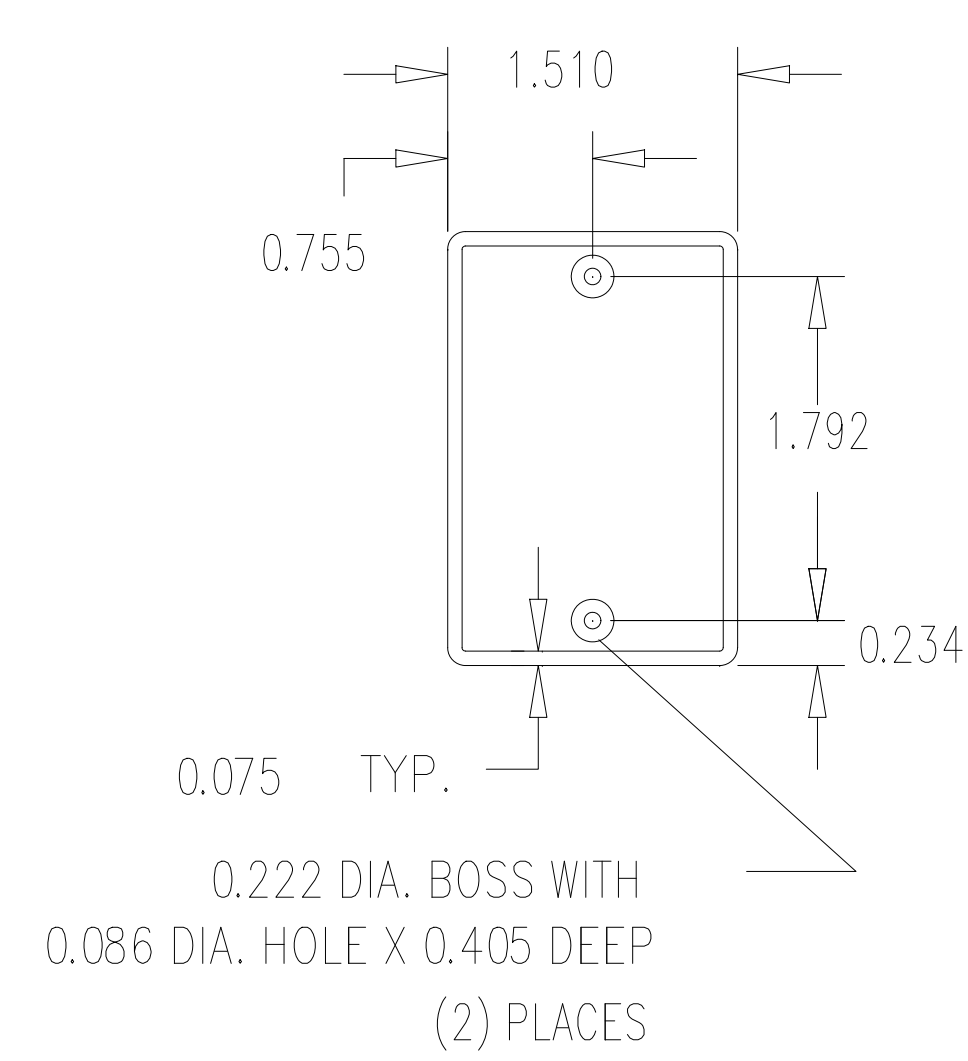
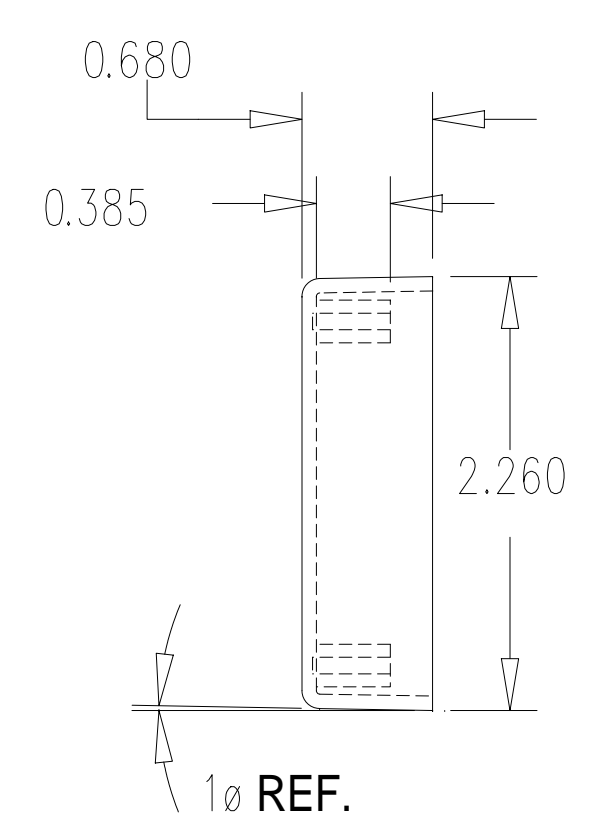


REVISIONS			
REV.	DESCRIPTION	DATE	APPROVED



CIRCUIT BOARD LAYOUT

UNLESS OTHERWISE SPECIFIED DIMENSIONS ARE IN INCHES.  
 TOLERANCES ARE ± .015 UNLESS OTHERWISE STATED  
 ANGLES ± .5°  
 MATERIAL  
 ABS  
 FINISH  
 Texture  
 CAD GENERATED DRAWING DO NOT UPDATE MANUALLY

INCLUDED HARDWARE		
Qty.	SCREWS	Qty. FEET
2	S-7	

**SIMCO**

**075X12**

SIZE DRAWING NO. REV.  
 D

SCALE: CAD FILE: SHEET OF