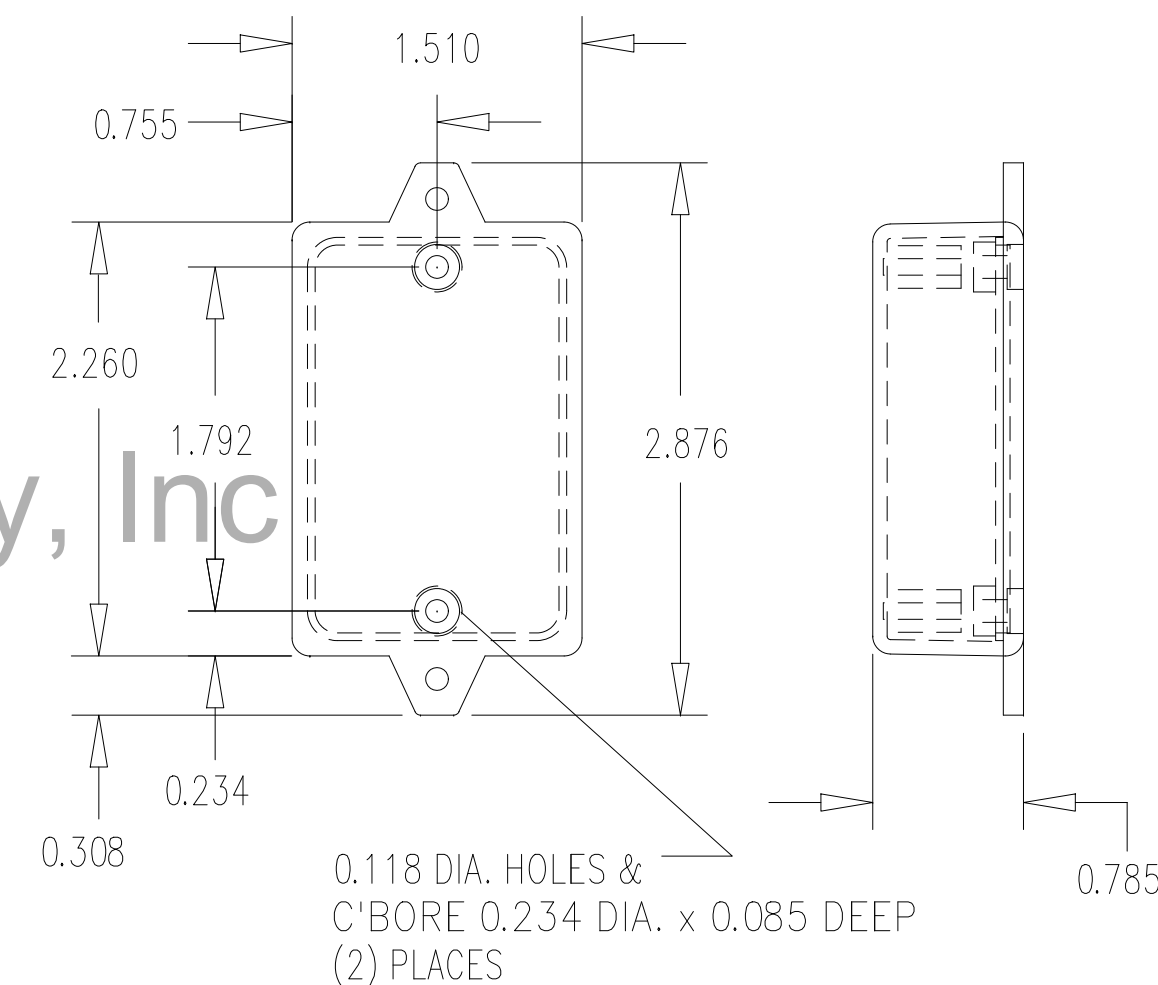
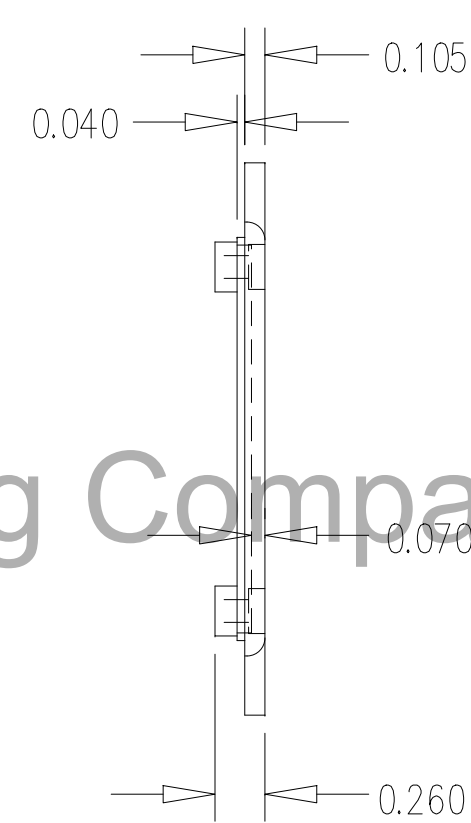
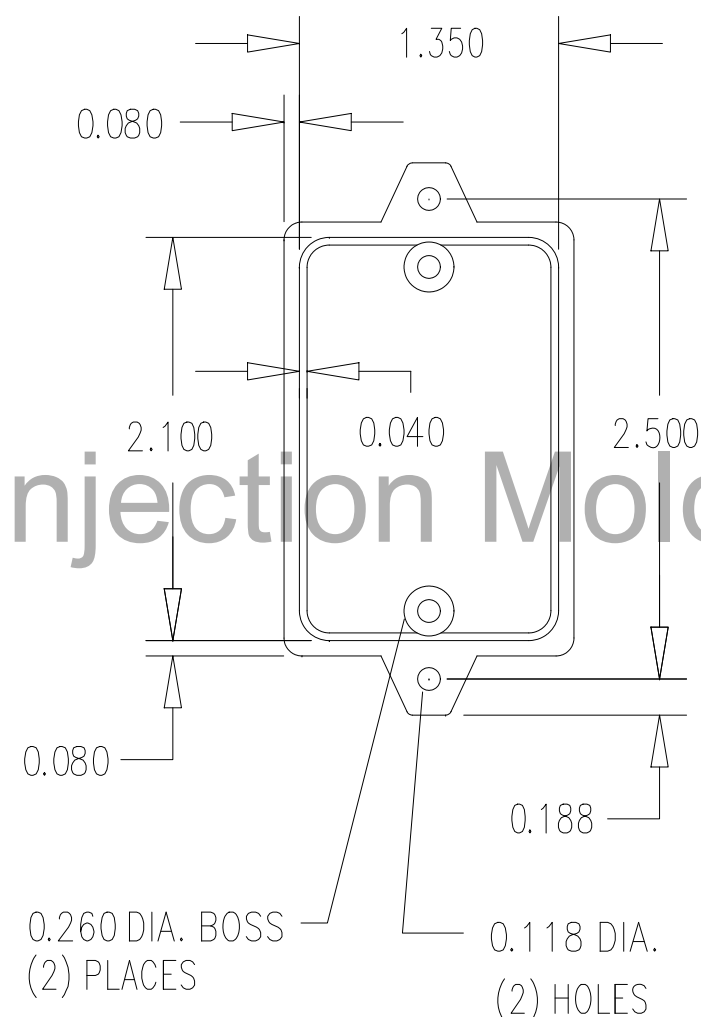
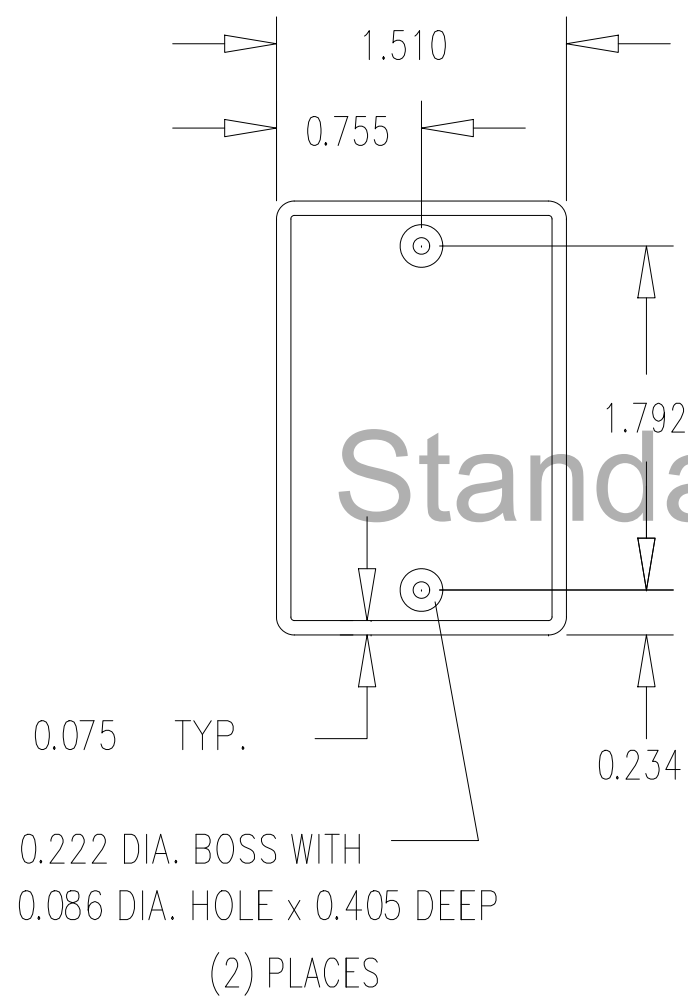
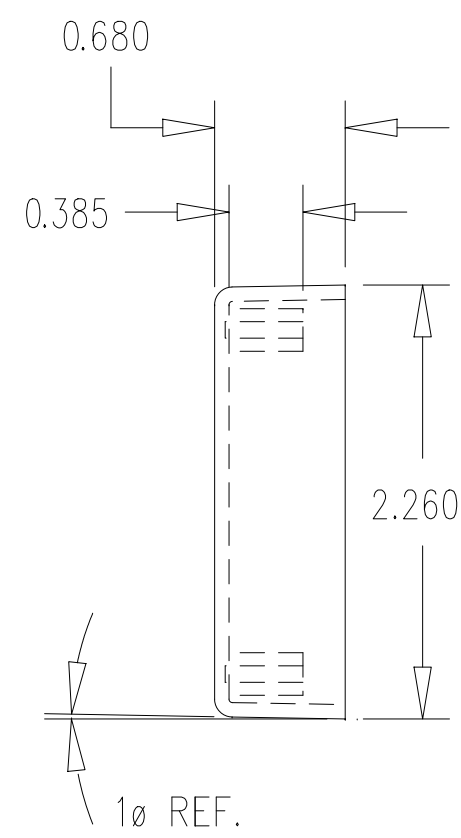


REVISIONS			
REV.	Boarder Added	DESCRIPTION	DATE
A			04/23/10



Standard Injection Molding Company, Inc

UNLESS OTHERWISE SPECIFIED  
DIMENSIONS ARE IN INCHES.  
TOLERANCES ARE ±.015  
UNLESS OTHERWISE STATED  
ANGLES ±.5°  
MATERIAL  
ABS  
FINISH  
Texture  
CAD GENERATED DRAWING  
DO NOT UPDATE MANUALLY

INCLUDED HARDWARE		
Qty.	SCREWS	Qty. FEET
2	S-7	

**SIMCO**  
**075X12/M**

SIZE DRAWING NO. D  
SCALE: CAD FILE: SHEET 1 OF 1

