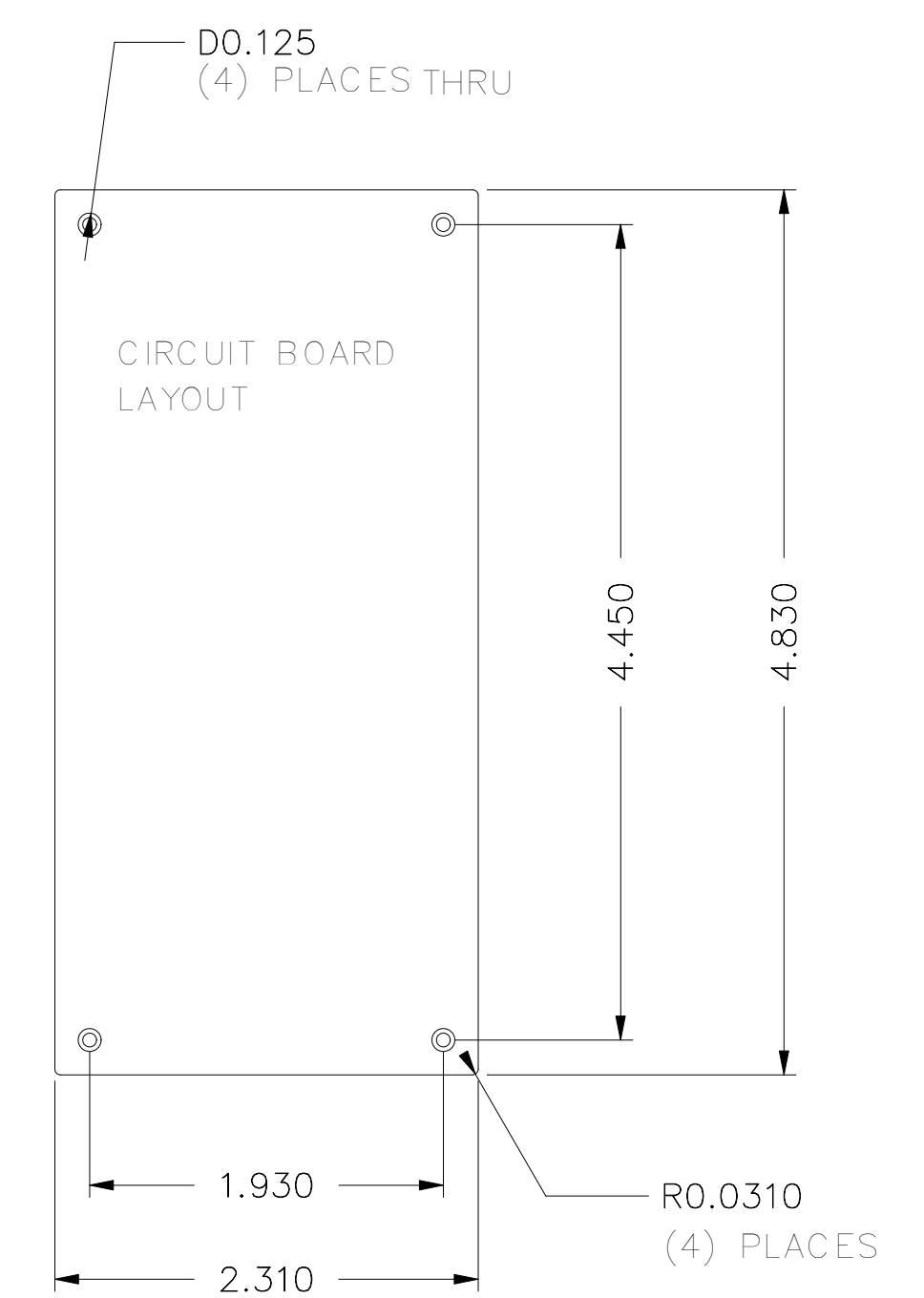
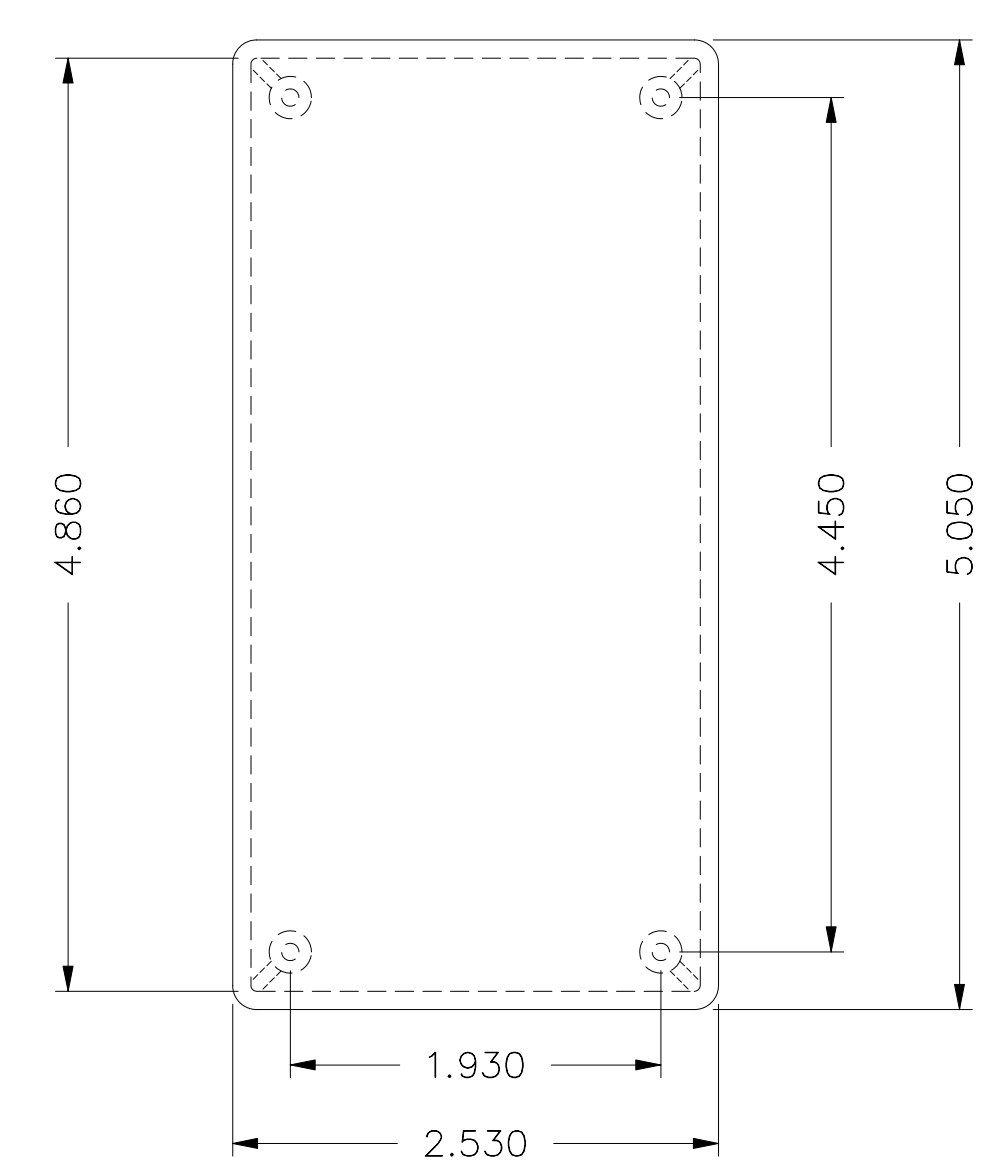
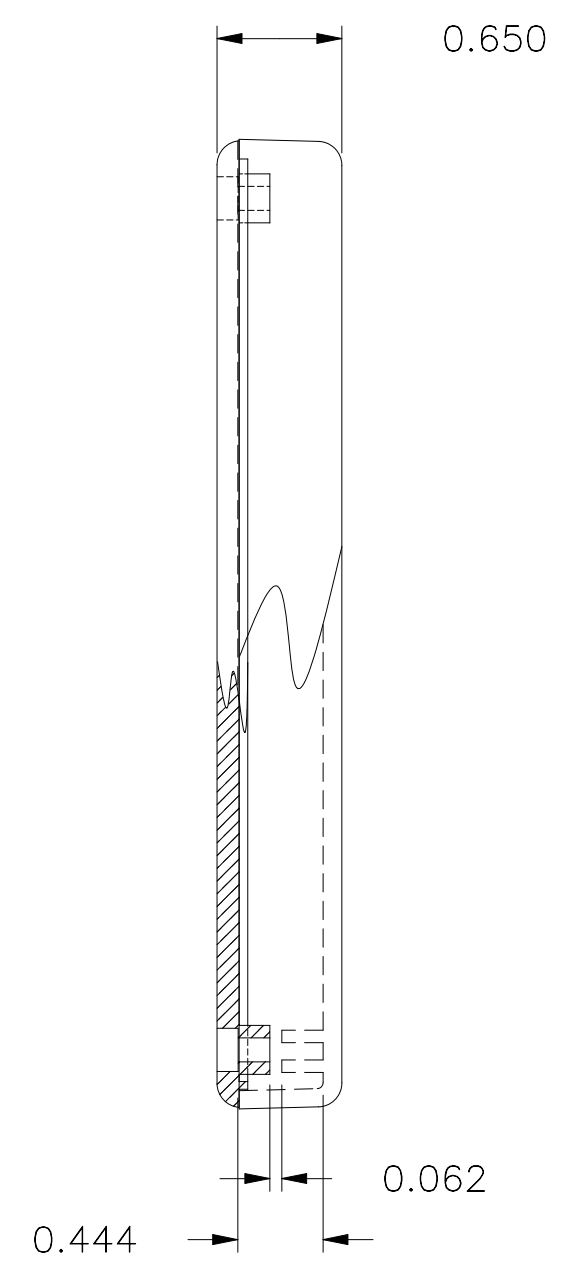
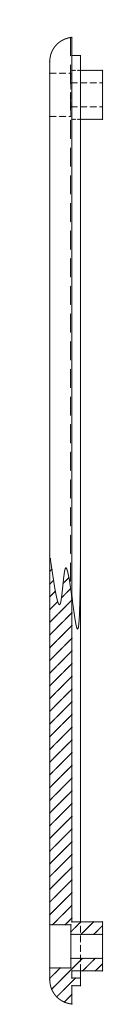
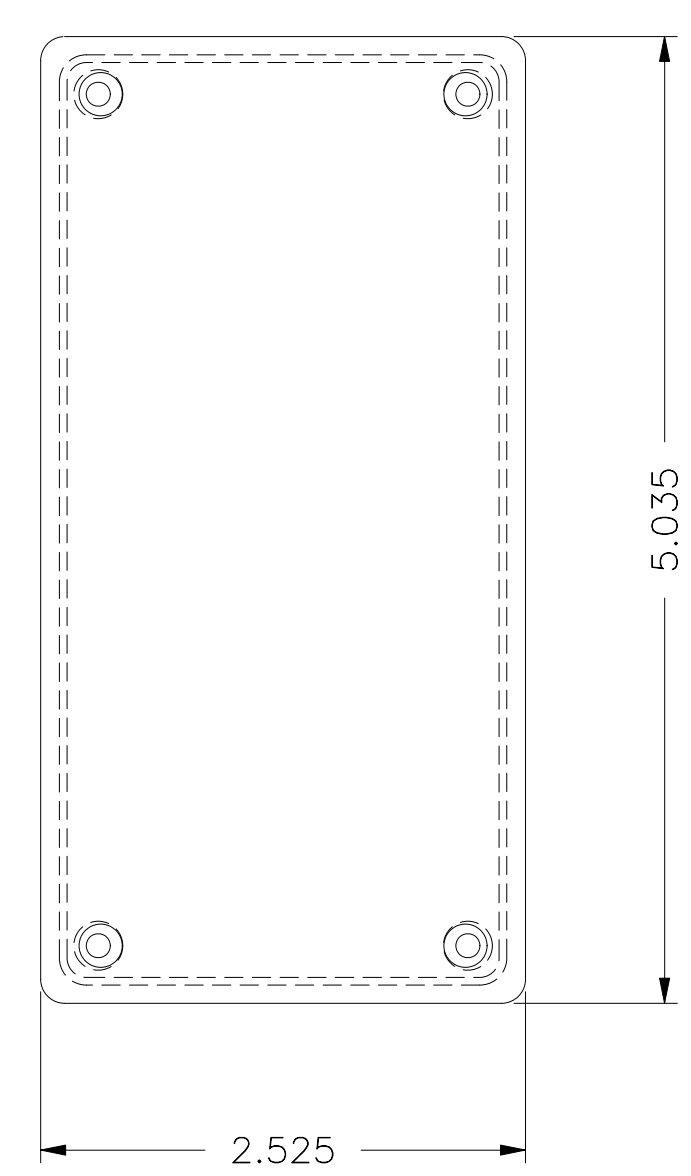
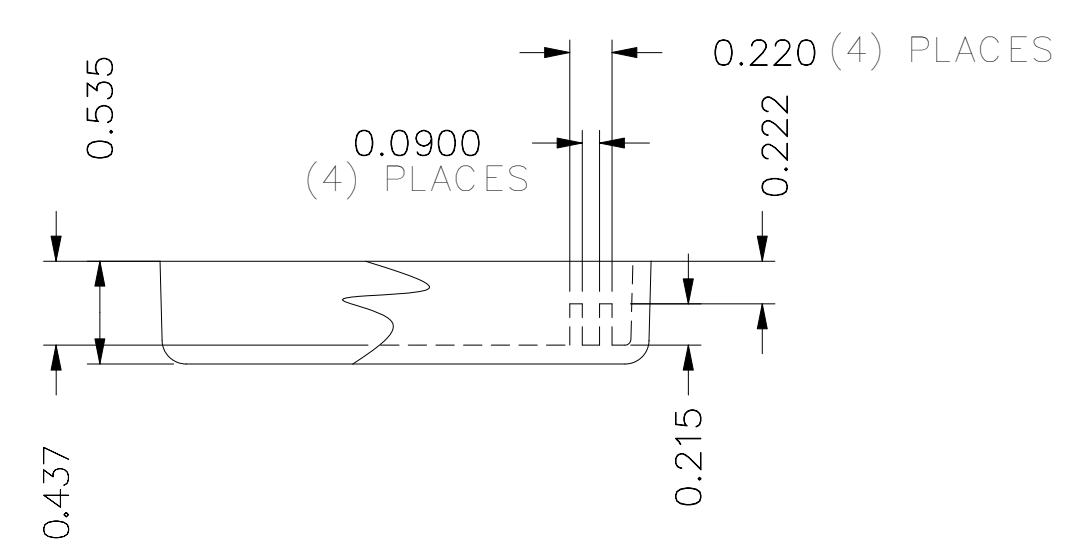
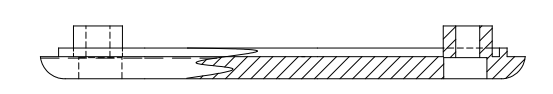


STANDARD INJECTION MOLDING COMPANY, INC.®

REVISIONS			
REV.	DESCRIPTION	DATE	APPROVED
A	PRODUCT RELEASE	1/15/02	

NOTES: 1.5° DRAFT ON ALL SIDES
.125 RADIUS ON ALL SIDES
TYP. WALL THICKNESS .095



UNLESS OTHERWISE SPECIFIED
DIMENSIONS ARE IN INCHES.
TOLERANCES ARE ± .015
UNLESS OTHERWISE STATED
ANGLES ± .5°
MATERIAL
ABS
FINISH
Texture
CAD GENERATED DRAWING
DO NOT UPDATE MANUALLY

UTILITY SERIES			
INCLUDED HARDWARE			
Qty.	SCREWS	Qty.	FEET
4	#4 x 7/16	--	--

SIMCO
050X25

SIZE DRAWING NO. ME050X25S REV. A
SCALE: 1:1 CAD FILE: 050X25.DC SHEET 1 OF 1